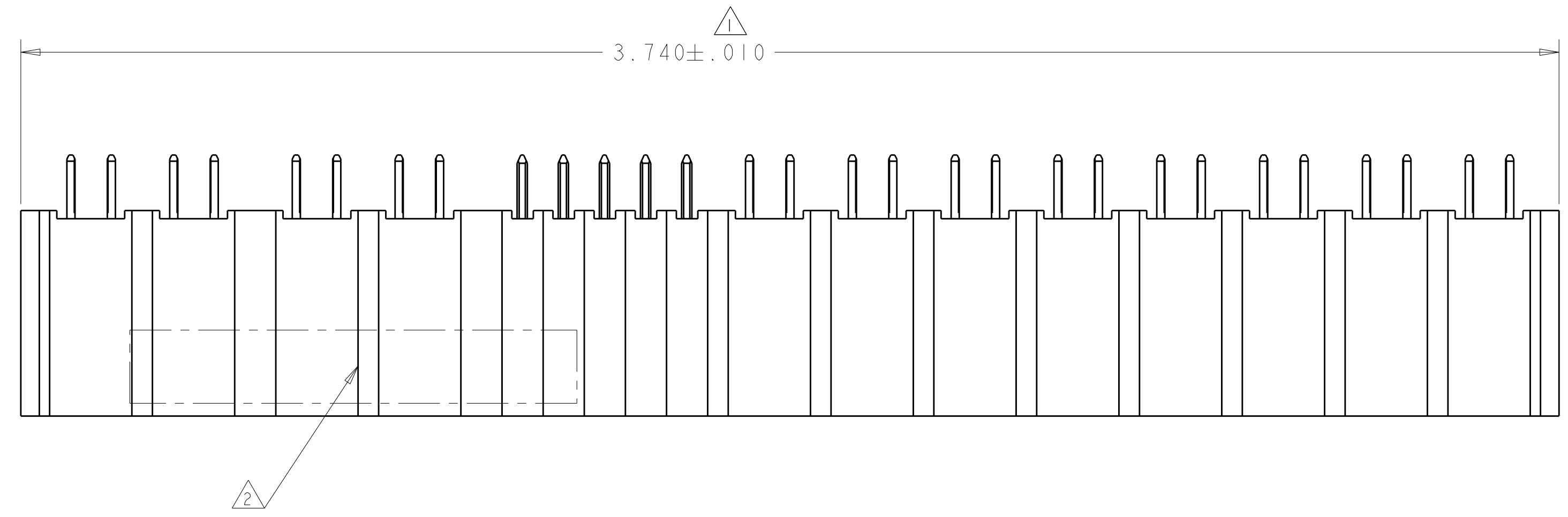
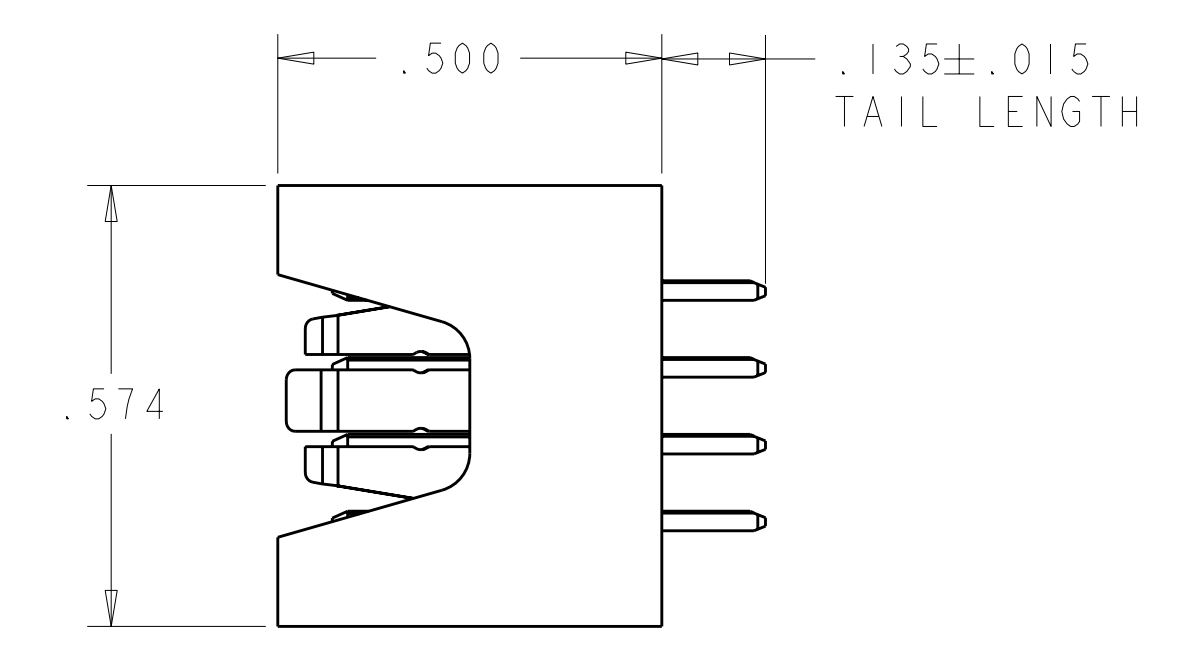
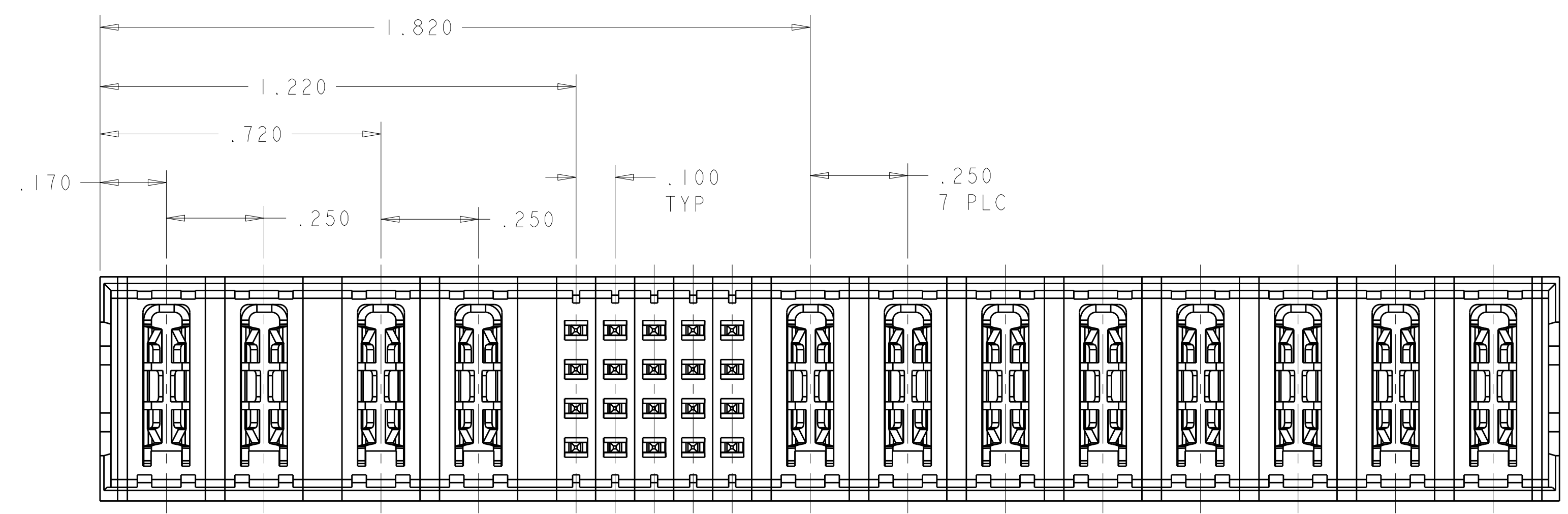


LOC	DIST	REVISIONS			
ES	00	REV	DATE	DWN	APVD
		A	REV PER ECR-07-012702	6JUN2007	DZ SY



- 1 THE MAXIMUM OVERALL LENGTH OF A PART IS 8.00
- 2 "AMP", PART NUMBER AND DATE CODE TO BE MARKED IN AREA SHOWN PARTS UNDER 2.00 LONG MAY BE MARKED ON BOTH SIDES
- 3 MATERIAL: HOUSING - GLASS FILLED HIGH TEMP THERMO PLASTIC, UL94 V-0
 SIGNAL CONTACT - COPPER ALLOY
 POWER CONTACT - HIGH CONDUCTIVITY COPPER ALLOY
- 4 CONTACT PLATING: SIGNAL CONTACTS - .000050-.000100 Ni UNDER ALL
 .000030 MIN Au OVER.
 POWER CONTACTS - .000050-.000100 Ni UNDER ALL
 .000030 MIN Au ON CONTACT AREA
 .000100-.000200 Sn AT PCB INTERFACE
- 5 MECHANICAL CONNECTOR KEEP OUT ZONE.
- 6 DATUM AND BASIC DIMENSIONS ESTABLISHED BY CUSTOMER.
- 7 PCB - ALL HOLE DIAMETERS ARE FINISHED HOLE SIZES.
- 8 PCB - .0453 ± .0010 DRILLED HOLES PLATED WITH .0003 MIN Sn OVER .001 TO .003 Cu PLATING TO ACHIEVE A .040 DIA. HOLE.

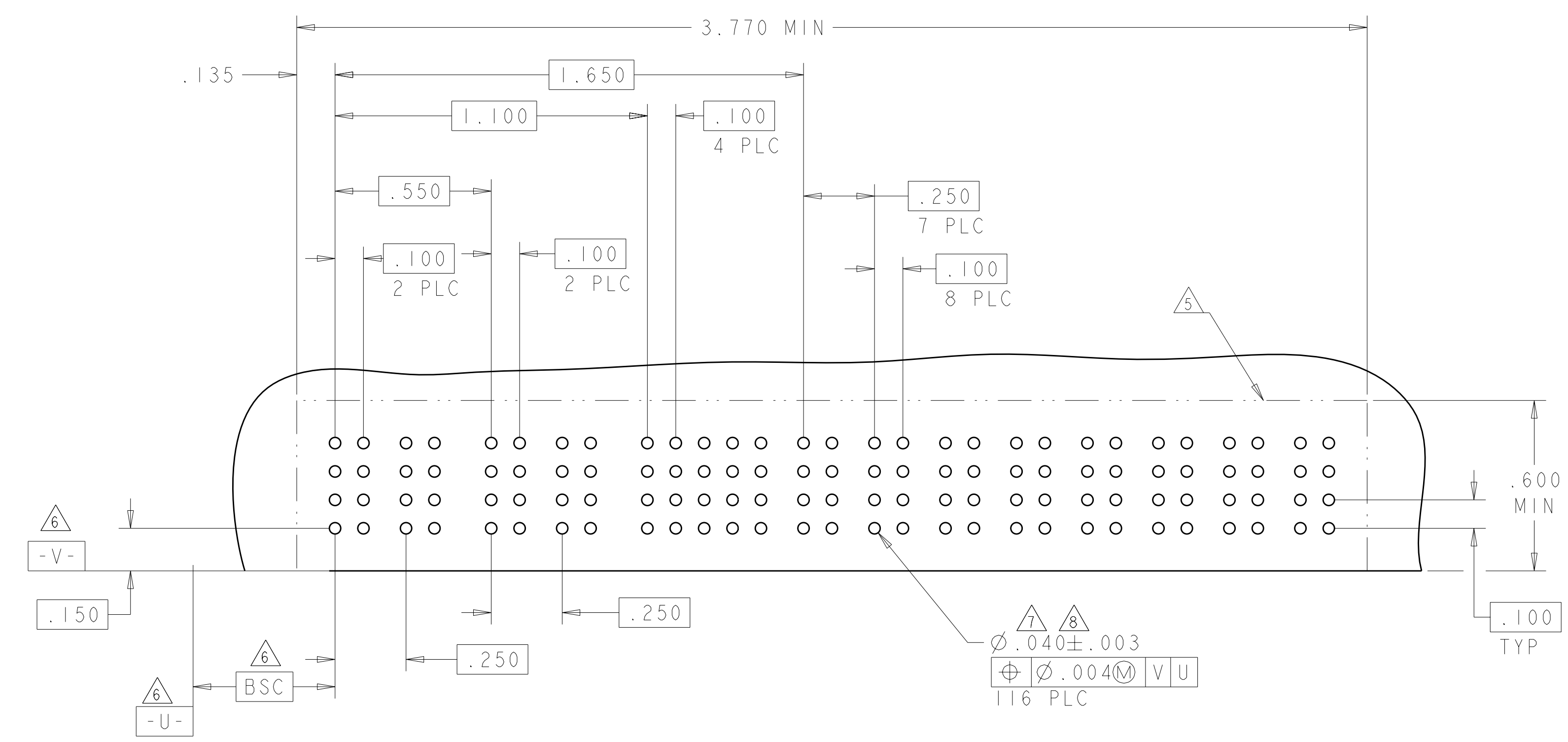


4P + 20S + 8P	6600350-1
DESCRIPTION	PART NUMBER

<small>THIS DRAWING IS UNPUBLISHED. RELEASED FOR PUBLICATION BY TYCO ELECTRONICS CORPORATION. ALL RIGHTS RESERVED.</small>		DWN: D. ZHU 6JUN2007 CHK: S. ZHAO 6JUN2007 APVD: S. YAO	Tyco Electronics Corporation Shanghai, P.R.China, 200233
DIMENSIONS: INCHES 	TOLERANCES UNLESS OTHERWISE SPECIFIED: 9 PLC ±. 1 PLC ±.01 2 PLC ±.01 3 PLC ±.005 4 PLC ±.0020 ANGLES ±.0°	NAME: S. YAO PRODUCT SPEC: 108-2292 APPLICATION SPEC: 114-13038 WEIGHT: -	VERTICAL HEADER ASSEMBLY WITHOUT GUIDES, SOLDER TAILS MULTI-BEAM XL SIZE: A 00779 C=6600350 RESTRICTED TO: -
MATERIAL: FINISH:		CUSTOMER DRAWING SCALE: 4:1 SHEET 1 OF 2 REV A	

LOC	DIST	REV	DATE	BY	APPD
ES	00				
		REVISIONS			
		REV	DATE	BY	APPD
		1			
		DESCRIPTION			
		SEE SHEET 1			

PART NUMBER	ROWS	POWER				SIGNAL					POWER							
		P1	P2	P3	P4	1	2	3	4	5	P5	P6	P7	P8	P9	P10	P11	P12
6600350-1	D	SZ	SZ	SZ	SZ	SV	SV	SV	SV	SV	SZ	SZ	SZ	SZ	SZ	SZ	SZ	SZ
	C	SZ	SZ	SZ	SZ	SV	SV	SV	SV	SV	SZ	SZ	SZ	SZ	SZ	SZ	SZ	SZ
	B	SZ	SZ	SZ	SZ	SV	SV	SV	SV	SV	SZ	SZ	SZ	SZ	SZ	SZ	SZ	SZ
	A	SZ	SZ	SZ	SZ	SV	SV	SV	SV	SV	SZ	SZ	SZ	SZ	SZ	SZ	SZ	SZ
4P + 20S + 8P																		



SV	SIGNAL CONTACT-STD
SZ	POWER CONTACT
CODE	DESCRIPTION
CONTACT TABLE	

<small>THIS DRAWING IS UNPUBLISHED. RELEASED FOR PUBLICATION 20. THIS DRAWING IS UNPUBLISHED. RELEASED FOR PUBLICATION 20. THIS DRAWING IS UNPUBLISHED. RELEASED FOR PUBLICATION 20.</small>		DWN: D. ZHU CHK: S. ZHAO APVD: S. YAO	6 JUN 2007 6 JUN 2007 -	Tyco Electronics Corporation Shanghai, P.R.China, 200233	
DIMENSIONS: INCHES 		TOLERANCES UNLESS OTHERWISE SPECIFIED: 9 PLC ±. 1 PLC ±.01 2 PLC ±.01 3 PLC ±.005 4 PLC ±.0020 ANGLES ±.0°		NAME: S. YAO PRODUCT SPEC: 108-2292 APPLICATION SPEC: 114-13038 WEIGHT: - FINISH: -	NAME: VERTICAL HEADER ASSEMBLY WITHOUT GUIDES, SOLDER TAILS MULTI-BEAM XL SIZE: A 00779 C=6600350 RESTRICTED TO: -
MATERIAL: - FINISH: -		CUSTOMER DRAWING		SCALE: 4:1 SHEET 2 OF 2 REV A	