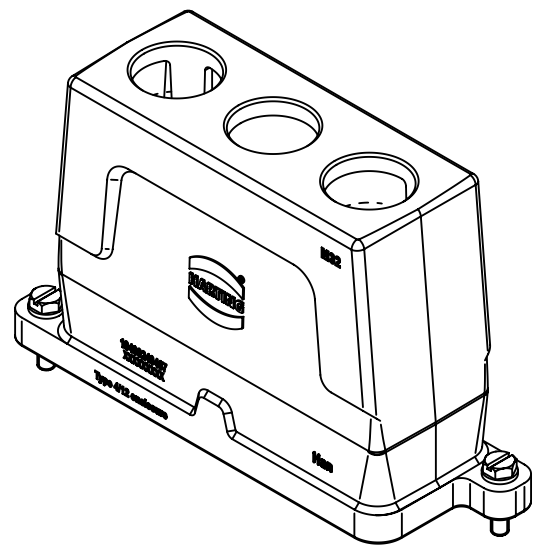
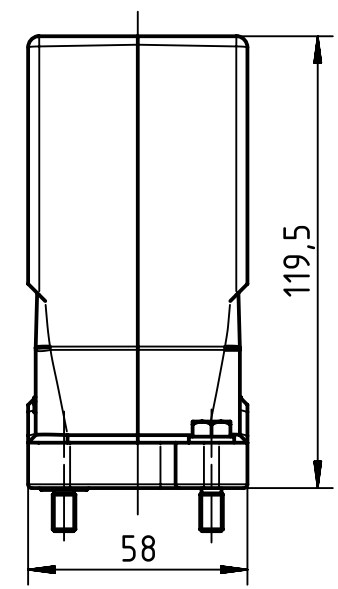
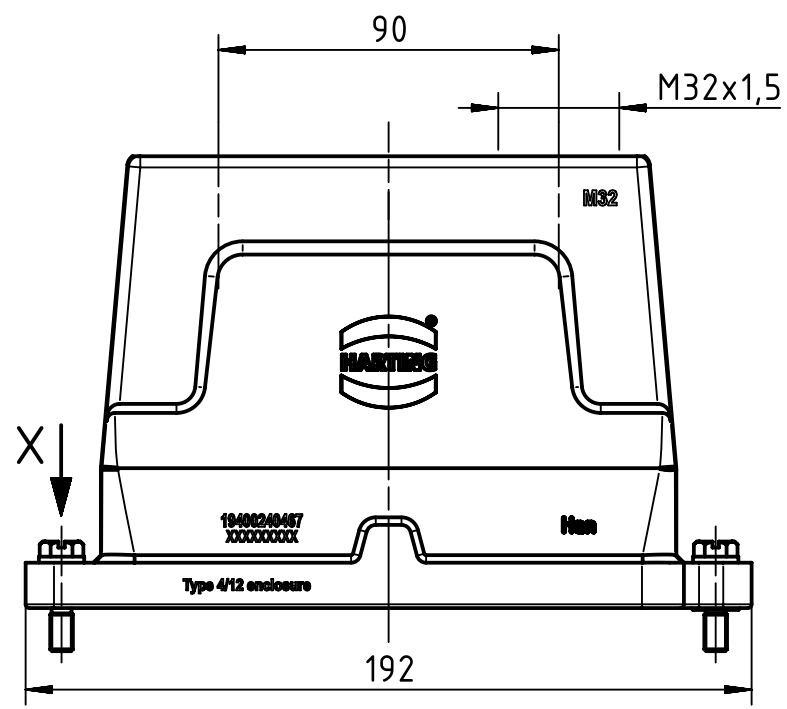
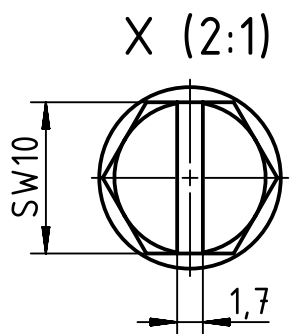
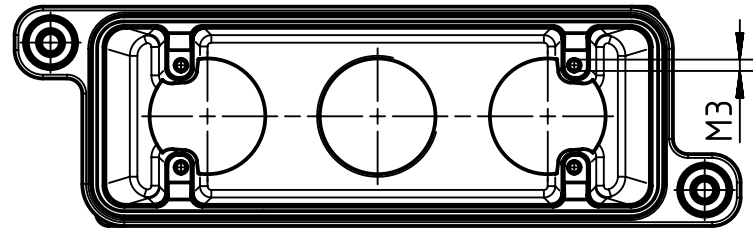


1 2 3 4 5 6

A
B
C
D



	All Dimensions in mm Original Size DIN A4		Scale 1:2		Free size tol.		Ref.		
							Sub.		
	All rights reserved		Created by KLASSENE	Inspected by SCHNIEDER	Standardisation TIEMANNA	Date 2017-05-10	State Final Release		
	Department EL PD - DE		Title Han 24HPR-HTE-SL-3xM32				Doc-Key / ECM-Nr. 100221327/UGD/004/D 500000119141		
HARTING Electric GmbH & Co. KG D-32339 Espelkamp			Type TB	Number 19 40 024 0467			Rev. D	Page 1/1	