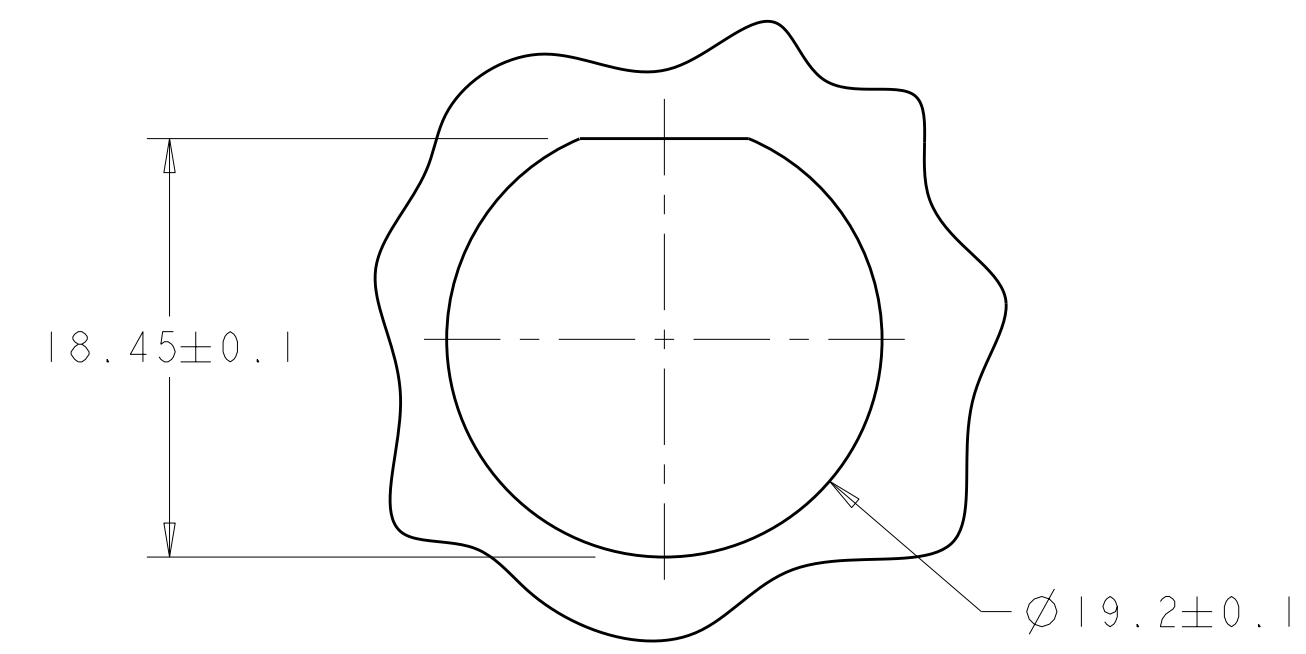
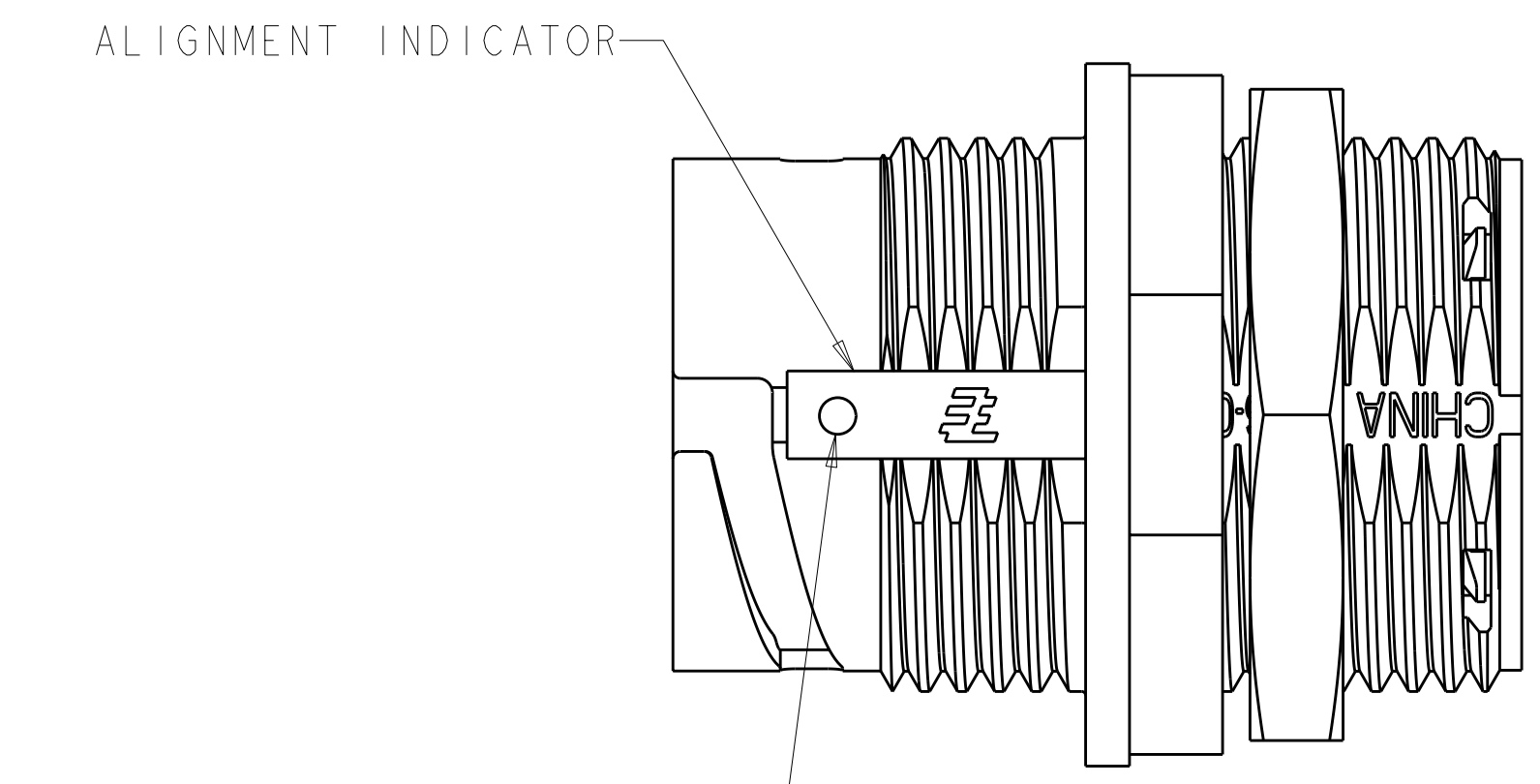


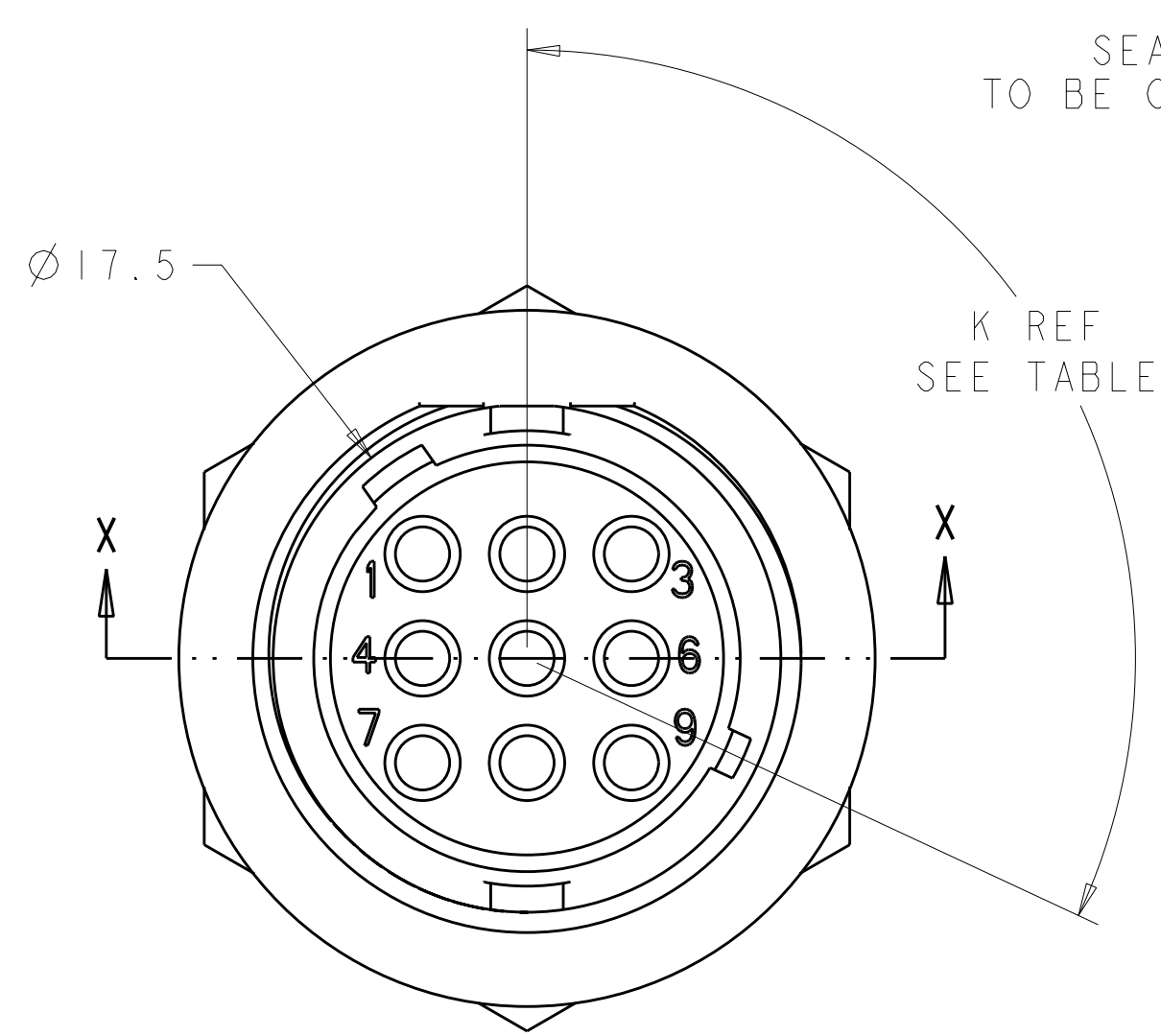
LOC	DIST	REVISIONS			
FT	0	REV	DATE	BY	APPD
		C2	REVISD PER ECO-11-004917	12MAR2011	RK HMR



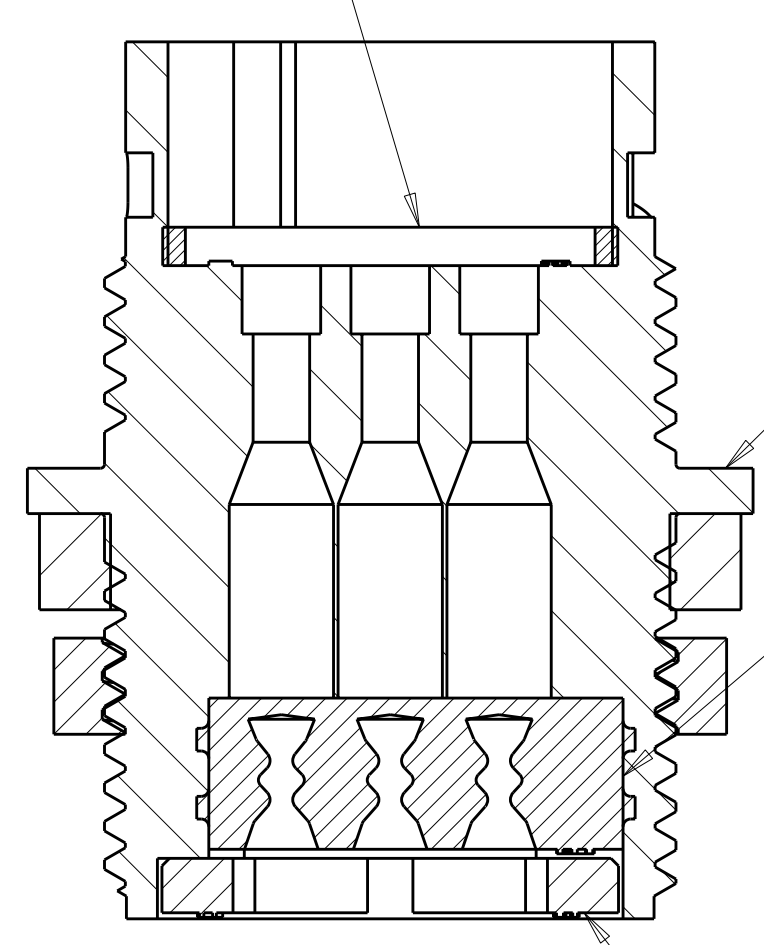
SUGGESTED PANEL CUTOUT
 SCALE 3:1



- 1. CONNECTOR CAN BE FRONT OR REAR PANEL MOUNTED.
- △ MAX PANEL THICKNESS - 3.18



SEAL, PERIPHERAL, 1 REQD.
 MATERIAL: ELASTOMER, COLOR-GRAY



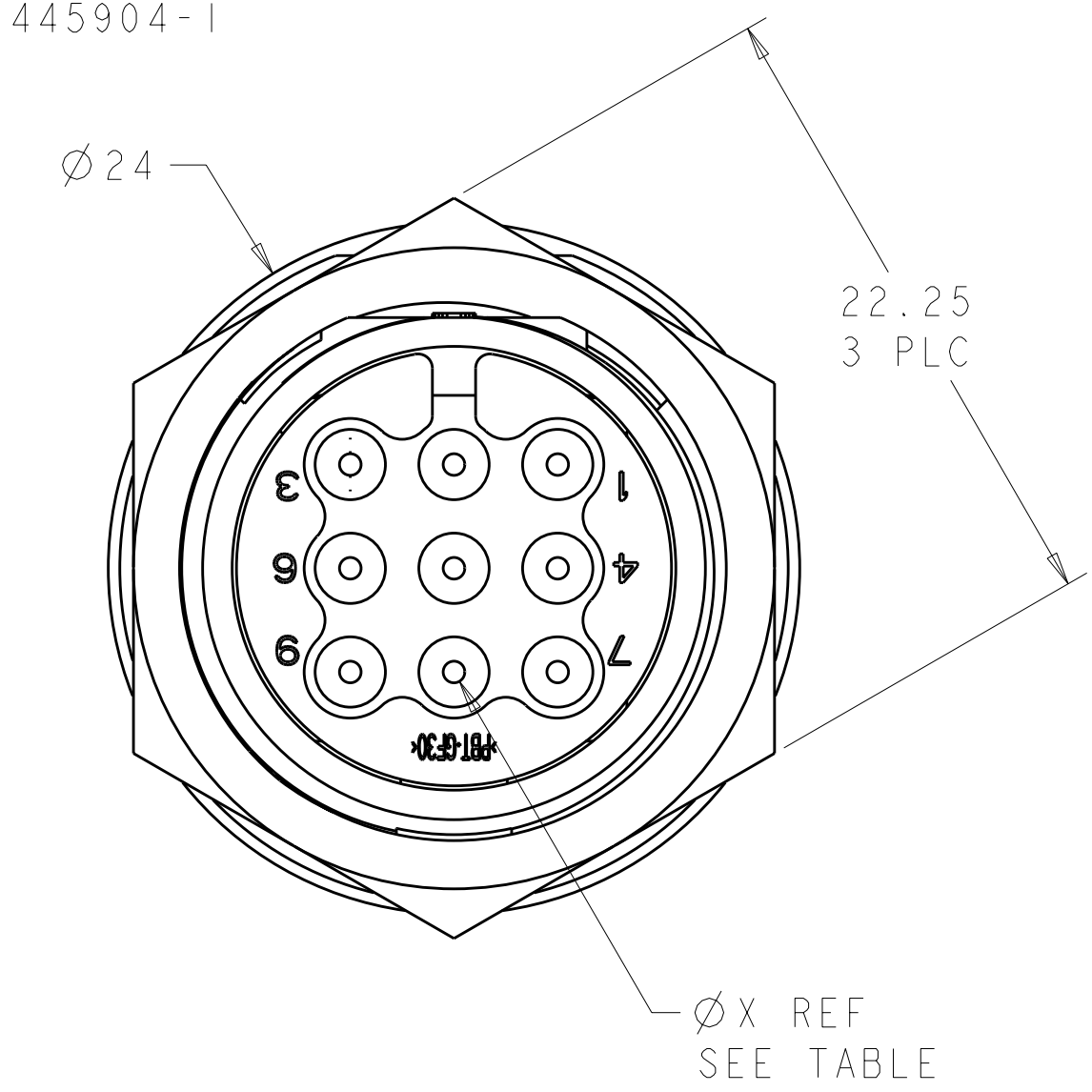
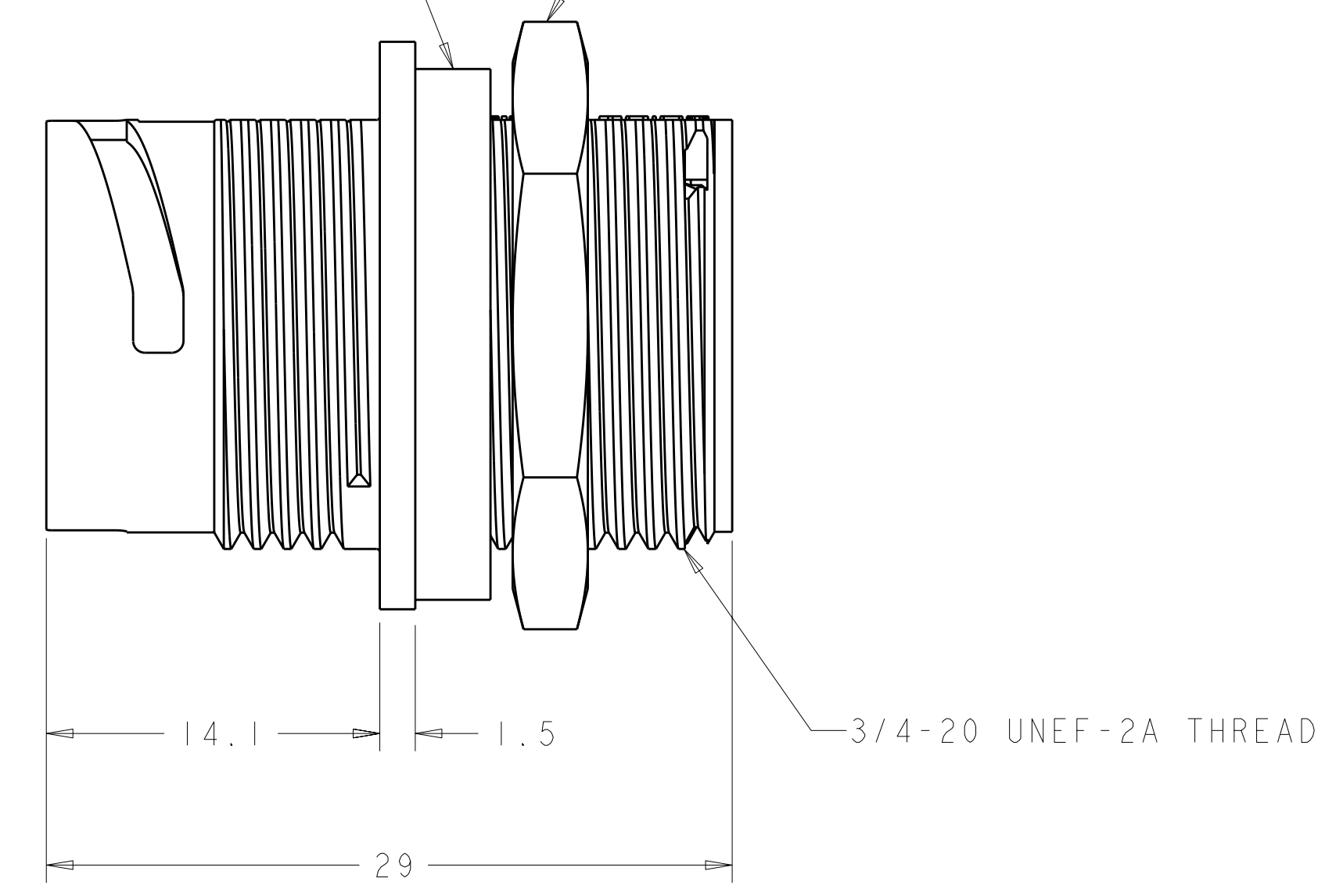
HOUSING, 1 REQD.
 MATERIAL: THERMOPLASTIC, COLOR-BLACK

SEAL, WIRE ENTRY, 1 REQD.
 MATERIAL: ELASTOMER, COLOR-SEE TABLE

RETAINER, SEAL, 1 REQD.
 MATERIAL: THERMOPLASTIC, COLOR-BLACK

SEAL, PANEL; SHOWN FOR REFERENCE ONLY,
 TO BE ORDERED SEPARATELY, PART #1445420-02

JAM NUT, SHOWN FOR REFERENCE ONLY, TO BE
 ORDERED SEPARATELY, PART # 1445904-1



QUALIFICATION TEST PENDING

Ø 1.5	135°	B	NATURAL	BROWN	1445816-7
Ø 0.75	135°	B	YELLOW	RED	1445816-4
Ø 1.5	115°	A	NATURAL	BLACK	1445816-3
Ø 1.5	135°	B	NATURAL	RED	1445816-2
Ø 0.75	115°	A	YELLOW	BLACK	1445816-1
Ø X REF	K REF	KEYING CODE	WIRE ENTRY SEAL COLOR	HOUSING COLOR	PART NUMBER

THIS DRAWING IS A CONTROLLED DOCUMENT.

SHANE WUEST 12OCT2001
 G DOUTY 12OCT2001
 H WAKEEM 13JUN2003

TE Connectivity

ASSEMBLY, RECEPTACLE, SIZE 11, 9 POSITION, PANEL MOUNT, SEALED, MINI CPC

SIZE: A100779 CAGE CODE: C=1445816 DRAWING NO: 1445816-1

SCALE: 3:1 SHEET: 1 OF 1 REV: C2