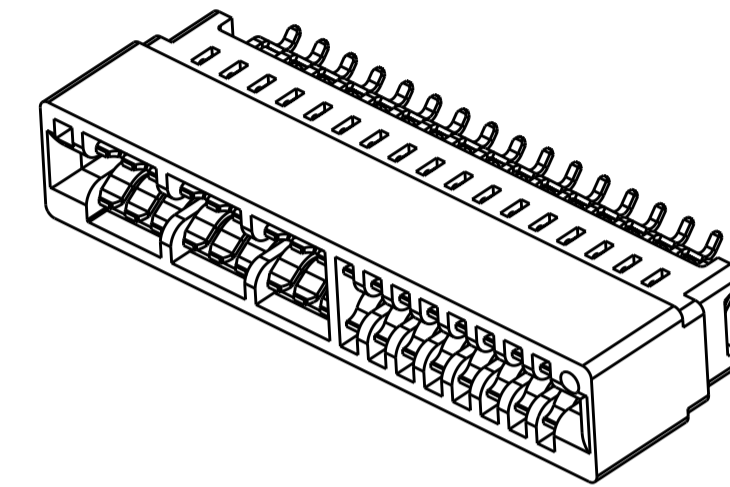


THIS DRAWING IS UNPUBLISHED. RELEASED FOR PUBLICATION 20  
 © COPYRIGHT 20 BY TYCO ELECTRONICS CORPORATION. ALL RIGHTS RESERVED.

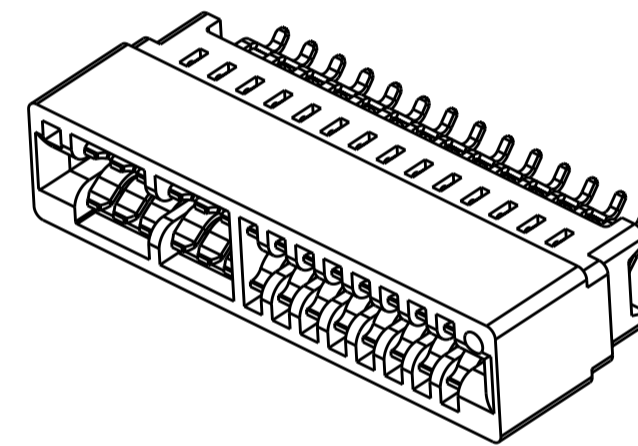
LOC	DIST	REVISIONS			
P	LTR	DESCRIPTION	DATE	DWN	APVD
GP	00	B3	REV PER ECO-10-026305	25FEB2011	RG MS

- HOUSING MATERIAL: GLASS FILLED POLYESTER, COLOR, BLACK
- CONTACT BASE MATERIAL: HIGH CONDUCTIVITY COPPER ALLOY
- CONTACT FINISH: NICKEL PLATE, .00127 [.000050] MIN. ALL OVER.  
 MATTE TIN PLATE, .00254 [.000100] MIN ON SOLDER POSTS.  
 GOLD PLATE, .00076 [.000030] MIN IN MATING INTERFACE.

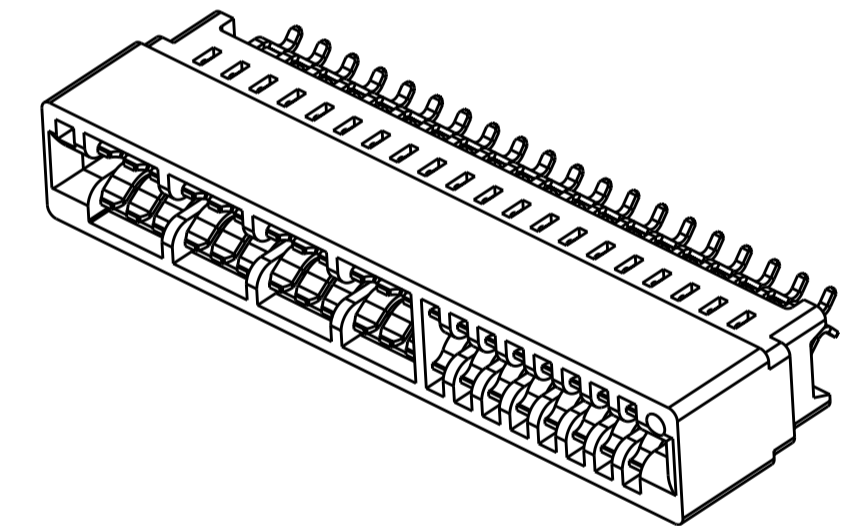
- 4 TYCO ELECTRONICS P/N AND DATE CODE MARKED IN APPROX AREA SHOWN.
- 5 SEE TYCO ELECTRONICS APPLICATION SPEC 114-13018 FOR ADDITIONAL PCB DETAILS.



3P X 8S P/N:2007088-1



2P X 8S P/N:2007088-2



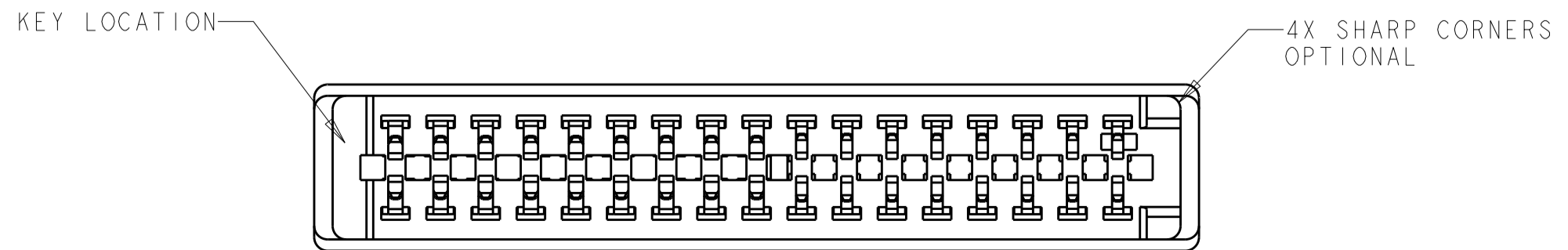
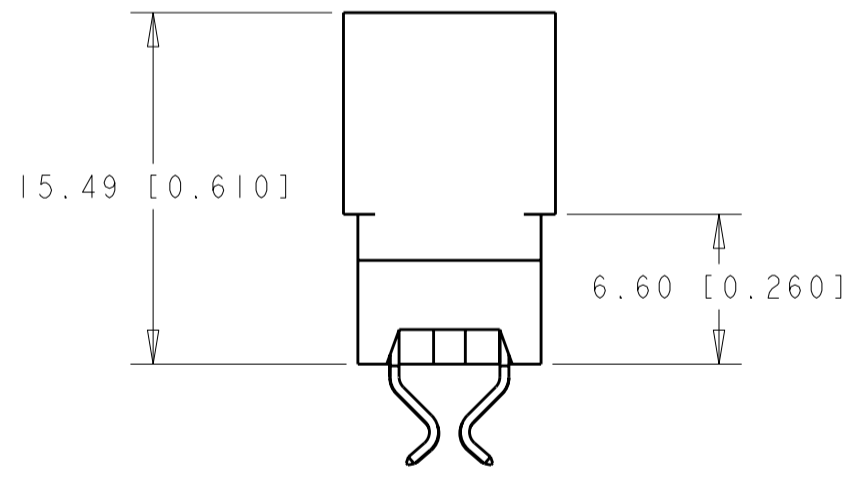
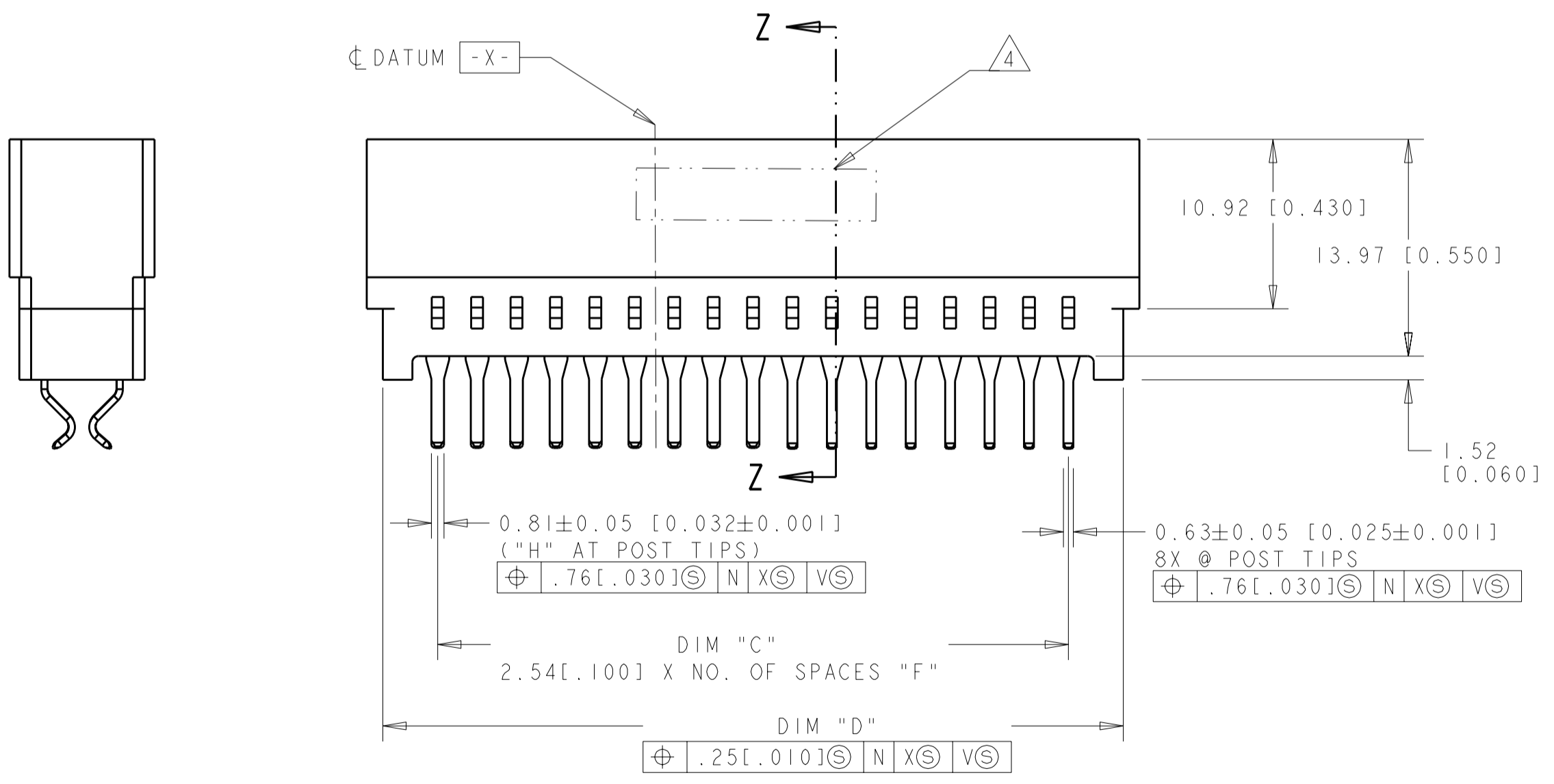
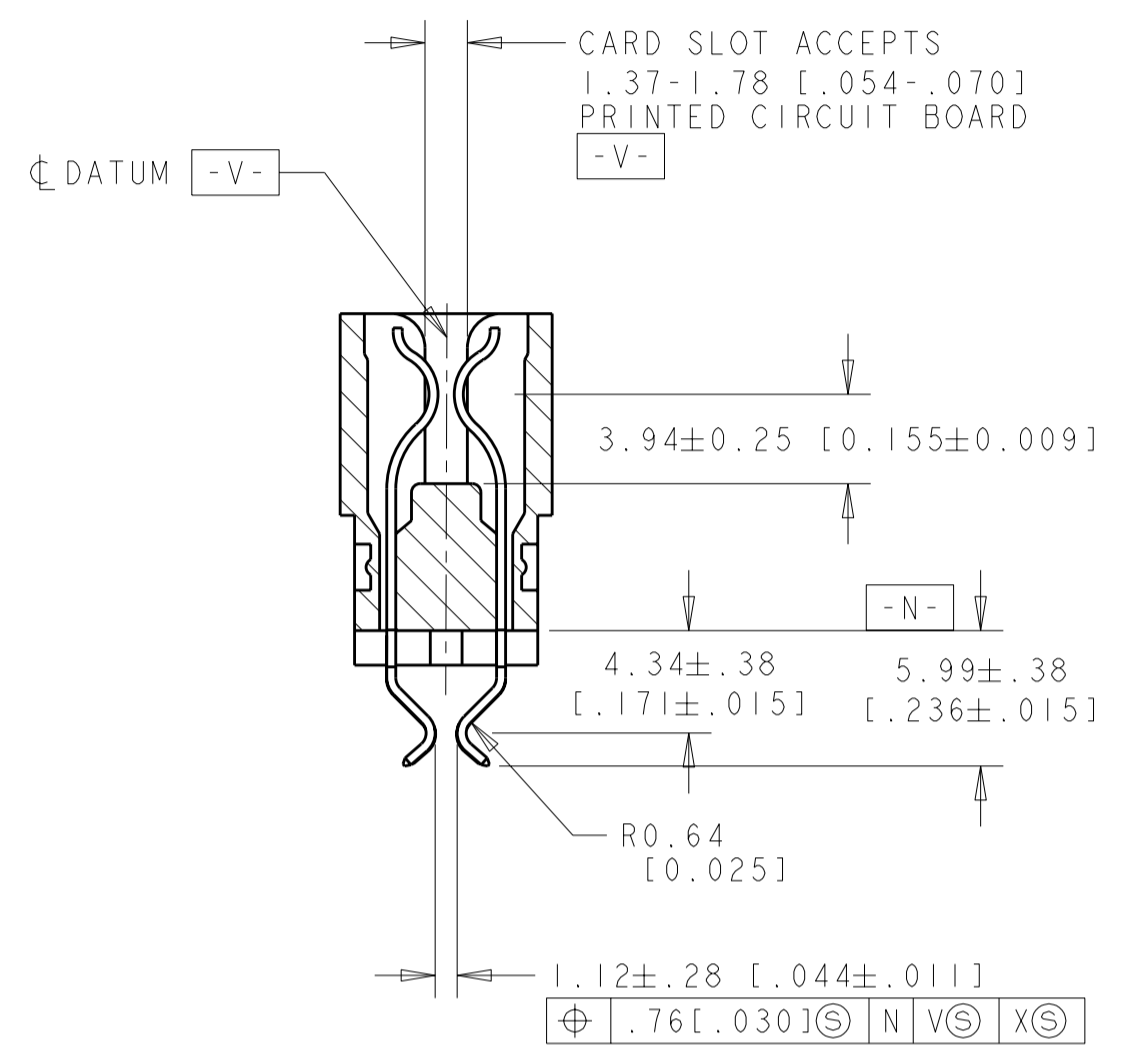
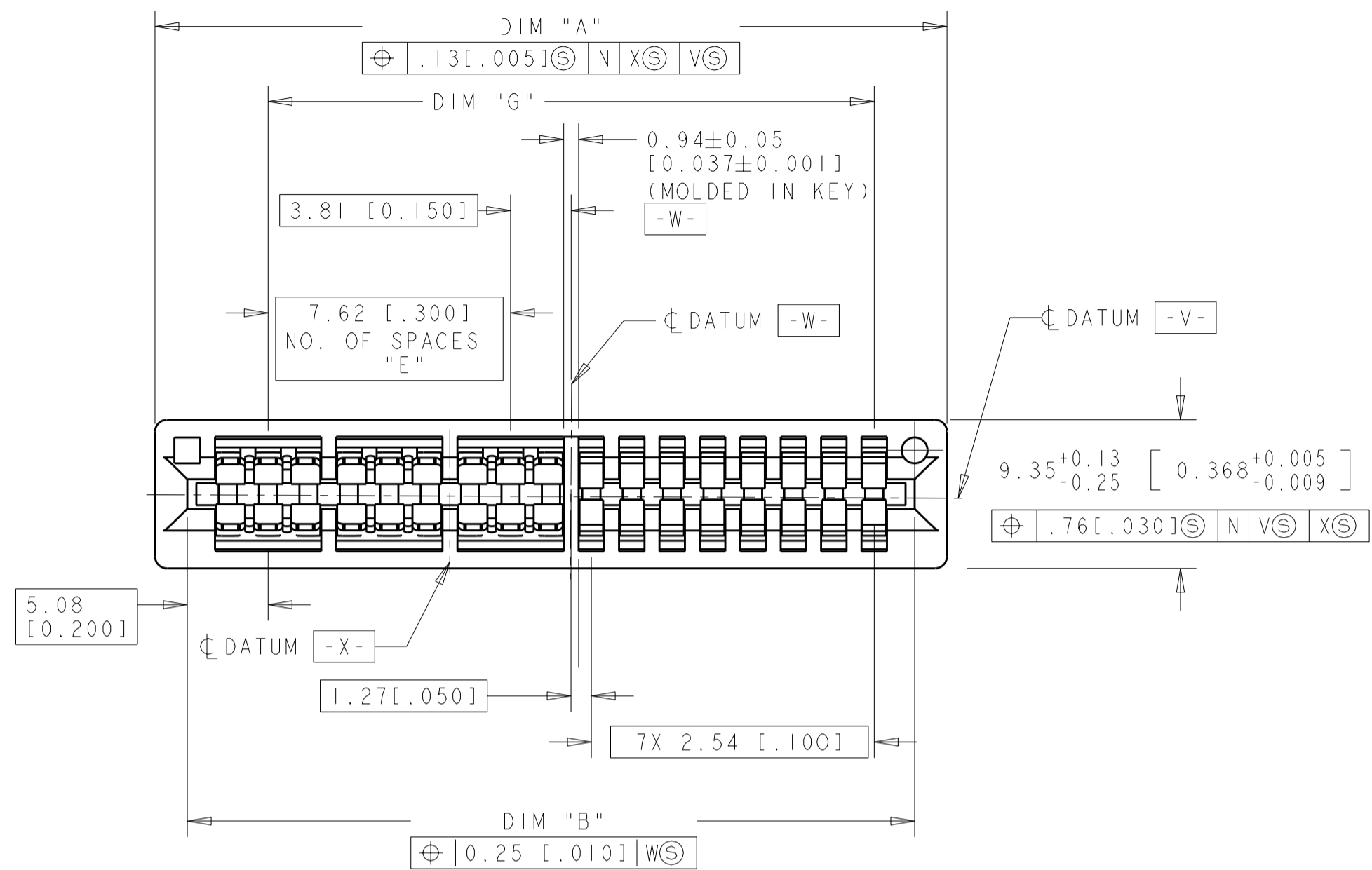
4P X 8S P/N:2007088-3

53.01 [2.087]	12	45.72 [1.800]	19	3	55.33 [2.178]	48.26 [1.900]	53.34 [2.100]	57.40 [2.260]	4	8	2007088-3
37.77 [1.487]	6	30.48 [1.200]	13	1	40.09 [1.578]	33.02 [1.300]	38.10 [1.500]	42.16 [1.660]	2	8	2007088-2
45.39 [1.787]	9	38.10 [1.500]	16	2	47.71 [1.878]	40.64 [1.600]	45.72 [1.800]	49.78 [1.960]	3	8	2007088-1
DIM_K	"H"	DIM_G	"F"	"E"	DIM_D ±.13	DIM_C	DIM_B ±.25	DIM_A ±.25	NO. POWER POSN	NO SIGNAL POSN	PART NUMBERS

<small>THIS DRAWING IS A CONTROLLED DOCUMENT FOR TYCO ELECTRONICS CORPORATION          IT IS SUBJECT TO CHANGE AND THE CONTROLLING ENGINEERING ORGANIZATION          SHOULD BE CONTACTED FOR THE LATEST REVISION.</small>		DWN G. PETERS 19APR2007 CHK A. FRANTUM 19APR2007 APVD S. FLICKINGER 19APR2007	Tyco Electronics Harrisburg, PA 17105-3608
DIMENSIONS: mm [INCHES]	TOLERANCES UNLESS OTHERWISE SPECIFIED: 0 PLC ± 1 PLC ±.25 [.01] 2 PLC ±.027 [.005] 3 PLC ± 4 PLC ± ANGLES ±1 FINISH	PRODUCT SPEC 108-2202 APPLICATION SPEC 114-13018 WEIGHT -	NAME CONNECTOR ASSEMBLY, SEC II POWER, DUAL POSITION, 2.54[.100] C.L. CARD EDGE, S/M STYLE
MATERIAL NOTE 1		SIZE A200779 CAGE CODE C-2007088 DRAWING NO 2007088 RESTRICTED TO -	
CUSTOMER DRAWING		SCALE 1:1	SHEET 1 OF 3 REV B3

THIS DRAWING IS UNPUBLISHED. RELEASED FOR PUBLICATION 20  
 © COPYRIGHT 20 BY TYCO ELECTRONICS CORPORATION. ALL RIGHTS RESERVED.

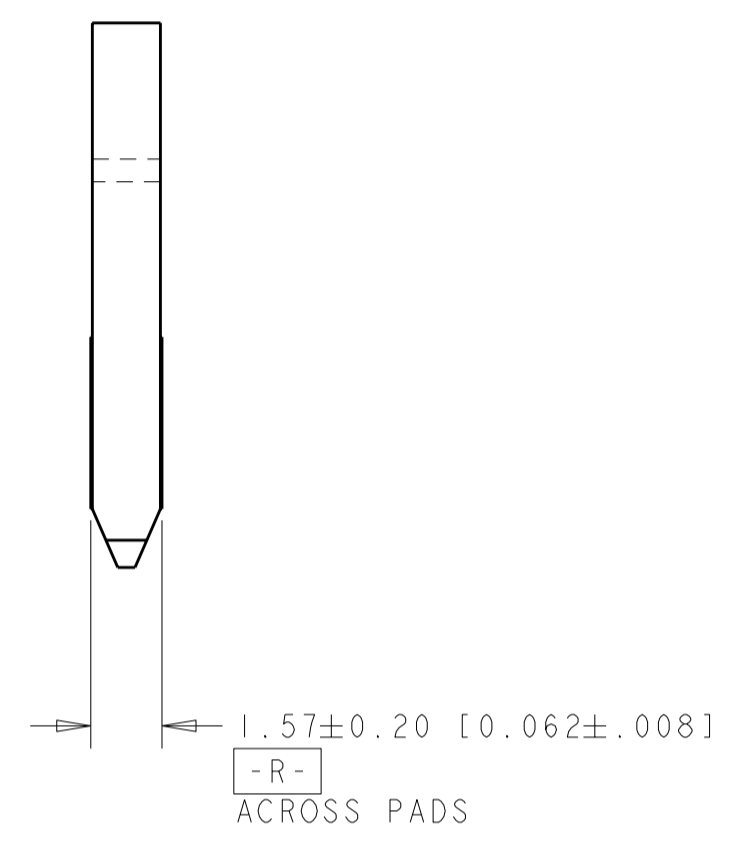
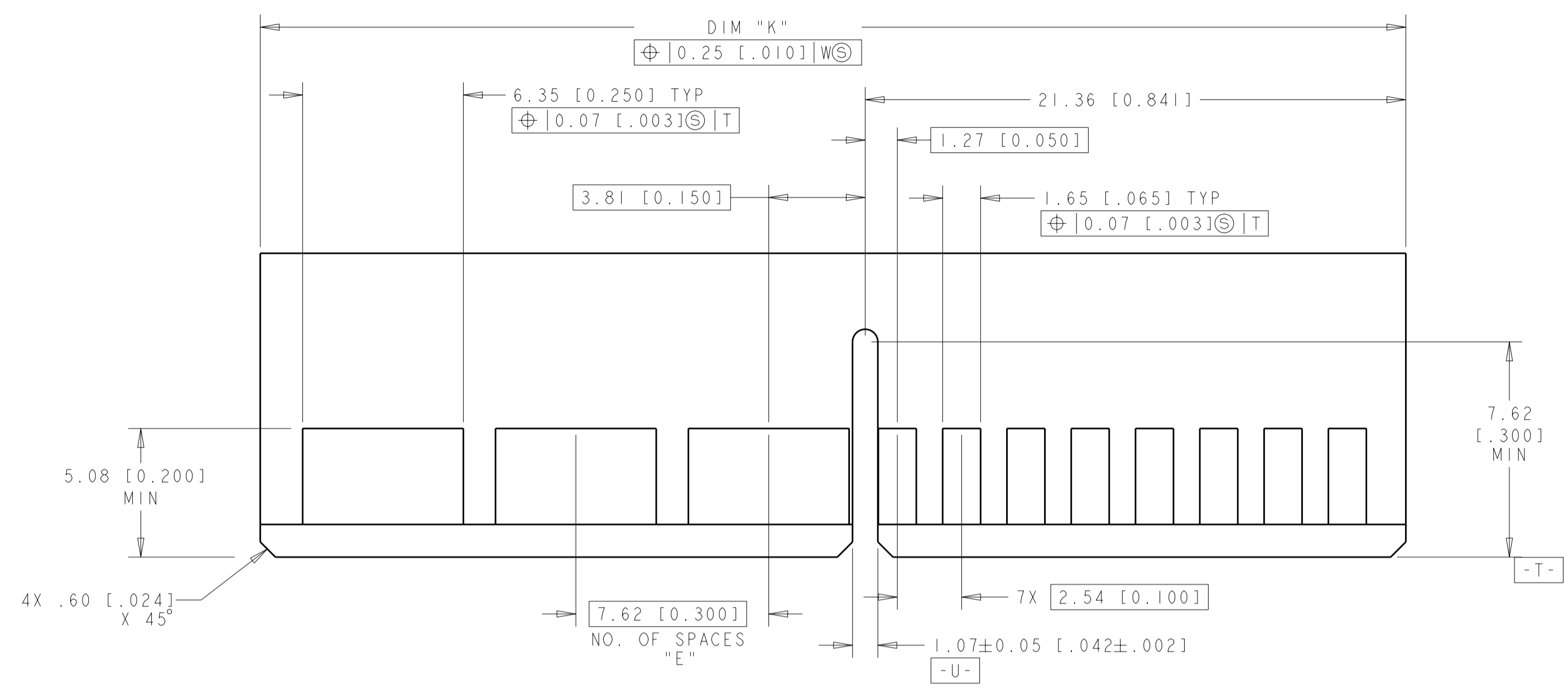
LOC	DIST	REVISIONS					
GP	00	P	LTR	DESCRIPTION	DATE	DWN	APVD
		-		SEE SHEET 1			



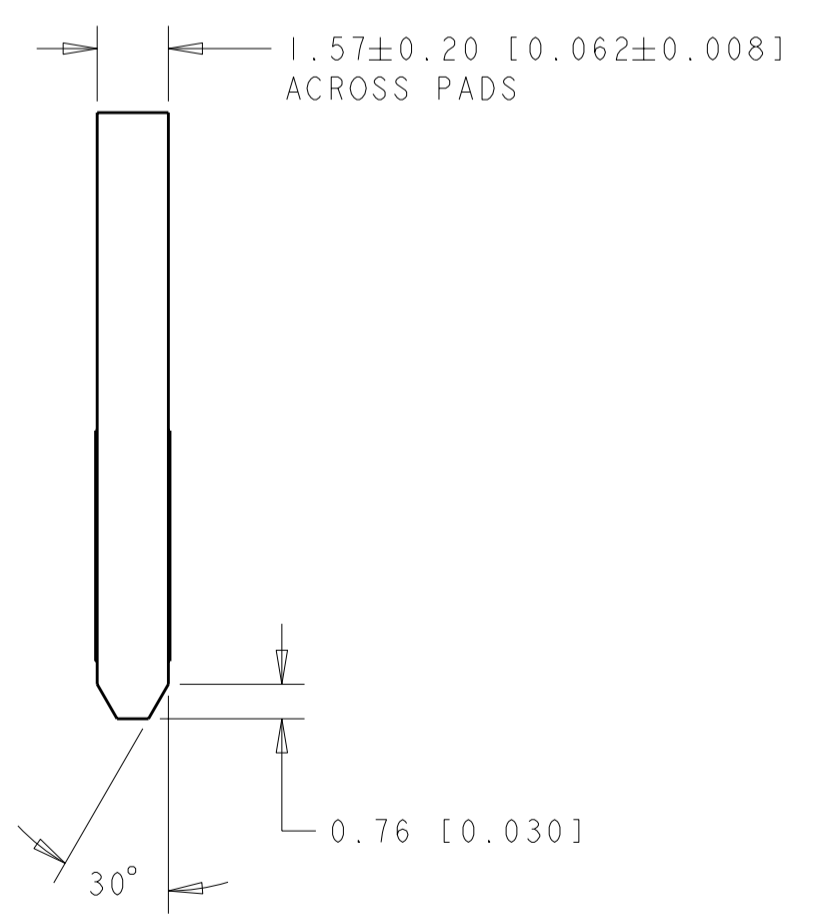
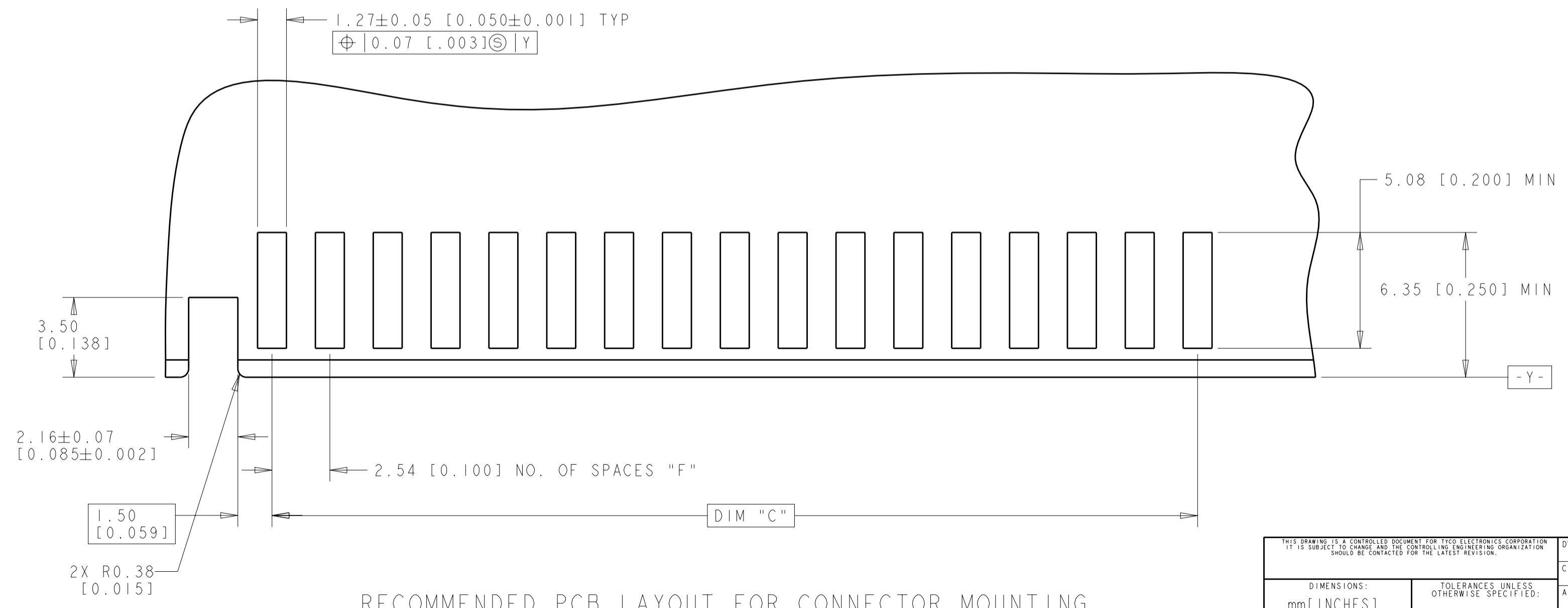
THIS DRAWING IS A CONTROLLED DOCUMENT FOR TYCO ELECTRONICS CORPORATION. IT IS SUBJECT TO CHANGE AND THE CONTROLLING ENGINEERING ORGANIZATION SHOULD BE CONTACTED FOR THE LATEST REVISION.		DWN: G. PETERS 19APR2007	Tyco Electronics Harrisburg, PA 17105-3608	
DIMENSIONS: mm [INCHES]		CHK: A. FRANTUM 19APR2007	NAME: CONNECTOR ASSEMBLY, SEC II POWER, DUAL POSITION, 2.54 [0.100] C.L. CARD EDGE, S/M STYLE	
TOLERANCES UNLESS OTHERWISE SPECIFIED:		APVD: S. FLICKINGER 19APR2007	SIZE: A200779 C-2007088	
0 PLC ±		PRODUCT SPEC: 108-2202	DRAWING NO: 2007088	
1 PLC ±.25 [0.01]		APPLICATION SPEC: 114-13018	RESTRICTED TO: -	
2 PLC ±.027 [0.005]		WEIGHT: -	SCALE: 1:1	
3 PLC ±		CUSTOMER DRAWING	SHEET 2 OF 3	
4 PLC ±			REV B3	
ANGLES ±1				
FINISH				
NOTE 1		NOTE 2		

THIS DRAWING IS UNPUBLISHED. RELEASED FOR PUBLICATION 20  
 © COPYRIGHT 20 BY TYCO ELECTRONICS CORPORATION. ALL RIGHTS RESERVED.

LOC	DIST	REVISIONS					
GP	00	P	LTR	DESCRIPTION	DATE	DWN	APVD
		-		SEE SHEET 1			



RECOMMENDED MATING BOARD EDGE CONFIGURATION  
 TYPICAL BOTH SIDES



RECOMMENDED PCB LAYOUT FOR CONNECTOR MOUNTING  
 TYPICAL BOTH SIDES

<small>THIS DRAWING IS A CONTROLLED DOCUMENT FOR TYCO ELECTRONICS CORPORATION. IT IS SUBJECT TO CHANGE AND THE CONTROLLING ENGINEERING ORGANIZATION SHOULD BE CONTACTED FOR THE LATEST REVISION.</small>		DWN G. PETERS 19APR2007 CHK A. FRANTUM 19APR2007 APVD S. FLICKINGER 19APR2007	Tyco Electronics Harrisburg, PA 17105-3608
DIMENSIONS: mm [INCHES]	TOLERANCES UNLESS OTHERWISE SPECIFIED: 0 PLC ± 1 PLC ±.25 [.01] 2 PLC ±.027 [.005] 3 PLC ± 4 PLC ± ANGLES ±1 FINISH	PRODUCT SPEC 108-2202 APPLICATION SPEC 114-13018 WEIGHT -	NAME CONNECTOR ASSEMBLY, SEC II POWER, DUAL POSITION, 2.54 [.100] C.L. CARD EDGE, S/M STYLE SIZE A2 CAGE CODE 00779 DRAWING NO. C-2007088 RESTRICTED TO -
MATERIAL NOTE 1	NOTE 2	CUSTOMER DRAWING	SCALE 1:1 SHEET 3 OF 3 REV B3