

Grayhill, Inc.

62S11-L0-060SH

Hlutanúmer:

62S11-L0-060SH

Framleiðandi / Vöruerki:

Grayhill, Inc.

Vörulýsing

ROTARY ENCODER OPTICAL 32PPR

Gagnablöð:

62S11-L0-060SH.pdf

RoHS Staða

Leiða frjáls / RoHS samhæft

Ástand á lager

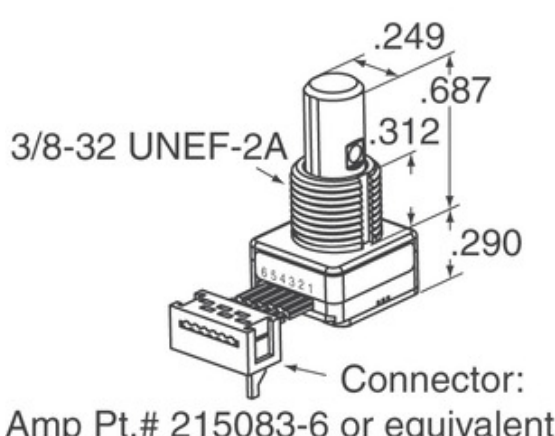
2073 pcs stock

Skip frá

Hong Kong

Sending vegur

DHL/Fedex/TNT/UPS/EMS



BEIÐNI UM TILVITNUN

Mynd getur verið fulltrúi. Sjá upplýsingar um upplýsingar um vörur.

Upplýsingar um 62S11-L0-060SH

HLUTANÚMER	62S11-L0-060SH
FRAMLEIÐANDI	Grayhill, Inc.
LÝSING	ROTARY ENCODER OPTICAL 32PPR
LEIÐA FRJÁLS STAÐA / ROHS STAÐA	Leiða frjáls / RoHS samhæft
MAGN Í BODI	2073 pcs
GÖGN	62S11-L0-060SH.pdf
SPENNA - FRAMBOÐ	5V
UPPSAGNARSTÍLL	Cable Leads
RÖÐ	62S
SNÚNINGUR LÍFIÐ (CYCLES MIN)	1M
PÚLS Í HVERRI BYLTINGU	32
OUTPUT TEGUND	Quadrature (Incremental)
ÖNNUR NÖFN	62S11L0060SH
STEFNUMÖRKUN	Vertical
UPPSETNINGARTEGUND	Panel Mount
VÖKTUNARNÆMISSTIG (MSL)	1 (Unlimited)
LEIÐA FRJÁLS STAÐA / ROHS STAÐA	Lead free / RoHS Compliant
KÓÐARA TEGUND	Optical
VARÐANDI	Yes
INNBYGGÐUR Í ROFI	No
VIRKJUNARGERÐ	1/4" Dia Flatted End

Svipaðir merkingar

Grayhill, Inc. 62S11-L0-060SH	62S11-L0-060SH dreifingaraðili	62S11-L0-060SH Birgir
62S11-L0-060SH Verð	62S11-L0-060SH Myndir	62S11-L0-060SH Image
62S11-L0-060SH PDF skjal	62S11-L0-060SH Sækja gagnapakkan	62S11-L0-060SH gagnablöð
62S11-L0-060SH lager	Kaupa 62S11-L0-060SH	Kaupa Grayhill, Inc. 62S11-L0-060SH
Grayhill, Inc. 62S11-L0-060SH	Grayhill, Inc. Birgir	Grayhill, Inc. dreifingaraðili
Grayhill, Inc. 62S11-L0-060SH	Grayhill Inc. 62S11-L0-060SH	

skyldar vörur

<p>62S11-L0-060CH Framleiðendur: Grayhill, Inc. Lýsing: ROTARY ENCODER OPTICAL 32PPR Á lager: 1935 pcs RFQ</p>	<p>62S11-L4-025SH Framleiðendur: Grayhill, Inc. Lýsing: ROTARY ENCODER OPTICAL 32PPR Á lager: 2264 pcs RFQ</p>
<p>62S11-L0-020CH Framleiðendur: Grayhill, Inc. Lýsing: ROTARY ENCODER OPTICAL 32PPR Á lager: 2105 pcs RFQ</p>	<p>62S11-L0-060S Framleiðendur: Grayhill, Inc. Lýsing: ROTARY ENCODER OPTICAL 32PPR Á lager: 2241 pcs RFQ</p>
<p>62S11-L0-P Framleiðendur: Grayhill, Inc. Lýsing: ROTARY ENCODER OPTICAL 32PPR Á lager: 2100 pcs RFQ</p>	<p>62S11-L0-055C Framleiðendur: Grayhill, Inc. Lýsing: ROTARY ENCODER OPTICAL 32PPR Á lager: 1995 pcs RFQ</p>
<p>62S11-L4-020S Framleiðendur: Grayhill, Inc. Lýsing: ROTARY ENCODER OPT 32PPR 2" CBL Á lager: 1879 pcs RFQ</p>	<p>62S11-L0-040C Framleiðendur: Grayhill, Inc. Lýsing: ROTARY ENCODER OPTICAL 32PPR Á lager: 2079 pcs RFQ</p>
<p>62S11-L0-PHV Framleiðendur: Grayhill, Inc. Lýsing: ROTARY ENCODER OPTICAL 32PPR Á lager: 1991 pcs RFQ</p>	<p>62S11-L0-PH Framleiðendur: Grayhill, Inc. Lýsing: ROTARY ENCODER OPTICAL 32PPR Á lager: 2460 pcs RFQ</p>
<p>62S11-L4-020C Framleiðendur: Grayhill, Inc. Lýsing: ROTARY ENCODER OPTICAL 32PPR Á lager: 2162 pcs RFQ</p>	<p>62S11-L0-040S Framleiðendur: Grayhill, Inc. Lýsing: ROTARY ENCODER OPT 32PPR 4" CBL Á lager: 2058 pcs RFQ</p>

Höfundarréttur © 2020 Áreiðanleg dreifingaraðili rafeindabúnaðar

Tölvupóstur: Info@infinity-electronic.com

Heimilisfang: 17F, Gaylord Commercial Building, 114-118 Lockhart Road, Wan Chai, Hong Kong

