

Panasonic

Panasonic

ST1-DC9V

Hlutanúmer:

ST1-DC9V

Framleiðandi / Vöruerki:

Panasonic

Vörulýsing

RELAY GENERAL PURPOSE DPST 8A 9V

Gagnablöð:

ST1-DC9V.pdf

RoHS Staða

Leiða frjálts / RoHS samhæft

Ástand á lager

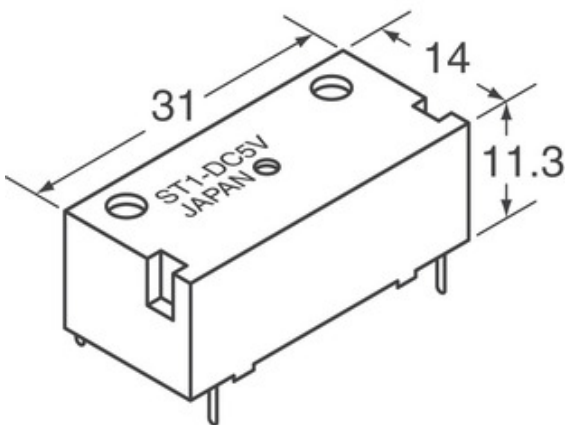
12816 pcs stock

Skip frá

Hong Kong

Sending vegur

DHL/Fedex/TNT/UPS/EMS



Mynd getur verið fulltrúi. Sjá upplýsingar um upplýsingar um vörur.

BEIÐNI UM TILVITNUN

Upplýsingar um ST1-DC9V

HLUTANÚMER	ST1-DC9V
FRAMLEIÐANDI	Panasonic
LÝSING	RELAY GENERAL PURPOSE DPST 8A 9V
LEIÐA FRJÁLS STAÐA / ROHS STAÐA	Leiða frjálts / RoHS samhæft
MAGN Í BODI	12816 pcs
GÖGN	ST1-DC9V.pdf
KVEIKJA Á SPENNA (HÁMARK)	7.2 VDC
SLÖKKVA Á SPENNU (MIN)	0.9 VDC
UPPSAGNARSTÍLL	PC Pin
SKIPTA SPENNU	380VAC, 250VDC - Max
RÖÐ	ST
SLEPPTU TÍMA	10ms
RELAY TYPE	General Purpose
PÖKKUN	Tube
VINNUHITASTIG	-40°C ~ 60°C
STARFAÐU TÍMA	15ms
UPPSETNINGARTEGUND	Through Hole
LEIÐA FRJÁLS STAÐA / ROHS STAÐA	Lead free / RoHS Compliant
LÖGUN	Sealed - Fully
NÁKVÆM LÝSING	General Purpose Relay DPST-NO/NC (1 Form A, 1 From B) 9VDC Coil Through Hole
TENGILIÐUR EINKUNN (NÚVERANDI)	8A
SNERTINGAREFNI	Silver Alloy
TENGILIÐUR	DPST-NO/NC (1 Form A, 1 From B)
SPÓLU SPENNA	9VDC
SPÓLU TEGUND	Non Latching
SPÓLUPOL	360 Ohms
SPÓLUORKA	240 mW
SPÓLU NÚVERANDI	25.0mA

Svipaðir merkingar

Panasonic ST1-DC9V	ST1-DC9V dreifingaraðili	ST1-DC9V Birgir
ST1-DC9V Verð	ST1-DC9V Myndir	ST1-DC9V Image
ST1-DC9V PDF skjal	ST1-DC9V Sækja gagnapakann	ST1-DC9V gagnablöð
ST1-DC9V lager	Kaupa ST1-DC9V	Kaupa Panasonic ST1-DC9V
Panasonic ST1-DC9V	Panasonic Birgir	Panasonic dreifingaraðili
Panasonic ST1-DC9V	Panasonic - Consumer Division ST1-DC9V	Panasonic - Consumer Electronics Corp. ST1-DC9V
Panasonic Battery Group ST1-DC9V	Panasonic Electric Works - ACSD ST1-DC9V	Panasonic Electronic Components - Semiconductor Pr ST1-DC9V
Panasonic - ATG ST1-DC9V	Panasonic - BSG ST1-DC9V	Panasonic - DTG ST1-DC9V
Panasonic Electric Works ST1-DC9V	Panasonic Electronic Components ST1-DC9V	Panasonic Industrial Automation Sales ST1-DC9V
Panasonic Semiconductor ST1-DC9V		

skyldar vörur

<p>ST1-DC5V-F Framleiðendur: Panasonic Lýsing: RELAY GENERAL PURPOSE DPST 8A 5V Á lager: 8208 pcs</p> <p>RFQ</p>	<p>ST1-L2-DC12V-F Framleiðendur: Panasonic Lýsing: RELAY GEN PURPOSE DPST 8A 12V Á lager: 5992 pcs</p> <p>RFQ</p>
<p>ST1-L2-DC3V Framleiðendur: Panasonic Lýsing: RELAY GENERAL PURPOSE DPST 8A 3V Á lager: 4086 pcs</p> <p>RFQ</p>	<p>ST1-L2-DC12V Framleiðendur: Panasonic Lýsing: RELAY GEN PURPOSE DPST 8A 12V Á lager: 4110 pcs</p> <p>RFQ</p>
<p>ST1-L2-DC24V Framleiðendur: Panasonic Lýsing: RELAY GEN PURPOSE DPST 8A 24V Á lager: 4968 pcs</p> <p>RFQ</p>	<p>ST1-DC5V Framleiðendur: Panasonic Lýsing: RELAY GENERAL PURPOSE DPST 8A 5V Á lager: 5259 pcs</p> <p>RFQ</p>
<p>ST1-DC6V Framleiðendur: Panasonic Lýsing: RELAY GENERAL PURPOSE DPST 8A 6V Á lager: 3350 pcs</p> <p>RFQ</p>	<p>ST1-DC3V-F Framleiðendur: Panasonic Lýsing: RELAY GENERAL PURPOSE DPST 8A 3V Á lager: 6915 pcs</p> <p>RFQ</p>
<p>ST1-L2-DC3V-F Framleiðendur: Panasonic Lýsing: RELAY GENERAL PURPOSE DPST 8A 3V Á lager: 6605 pcs</p> <p>RFQ</p>	<p>ST1-L2-DC24V-F Framleiðendur: Panasonic Lýsing: RELAY GEN PURPOSE DPST 8A 24V Á lager: 6277 pcs</p> <p>RFQ</p>
<p>ST1-DC48V Framleiðendur: Panasonic Lýsing: RELAY GEN PURPOSE DPST 8A 48V Á lager: 5945 pcs</p> <p>RFQ</p>	<p>ST1-DC48V-F Framleiðendur: Panasonic Lýsing: RELAY GEN PURPOSE DPST 8A 48V Á lager: 5601 pcs</p> <p>RFQ</p>

