

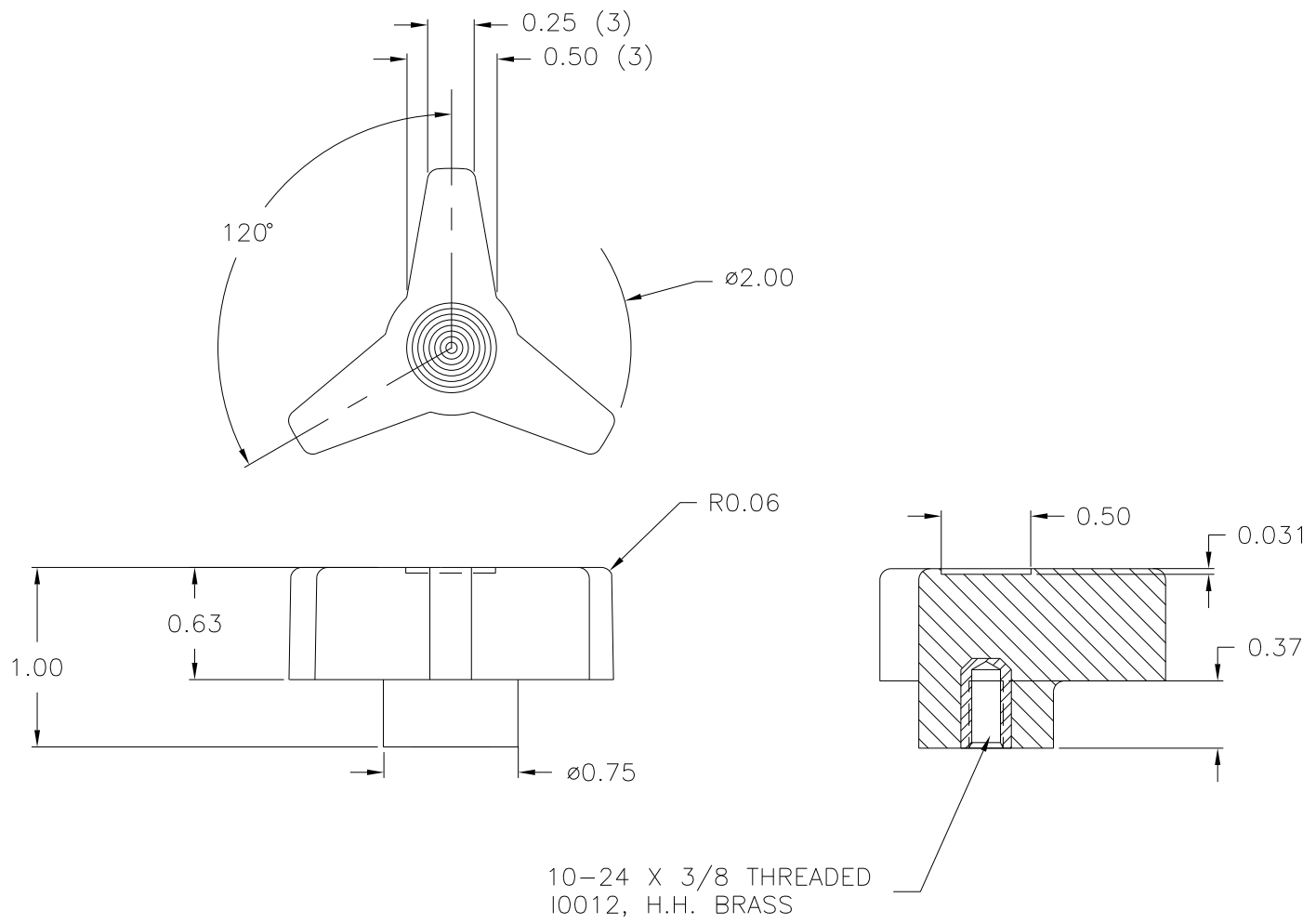
PART NAME: KNOB SCALE: 1:1 DATE: 10/01/70 DR. BY NH

THIS DRAWING IS THE PROPERTY OF DAVIES MOLDING COMPANY, IS SUBMITTED SOLELY AS A DESIGN OR ENGINEERING PROJECT. WE ACCEPT NO RESPONSIBILITY WHATSOEVER FOR THE PRACTICAL APPLICATION OF THE PIECES MADE TO THIS DESIGN.



DESIGNERS & MANUFACTURERS OF KNOBS, HANDLES, CASES & CUSTOM PLASTIC COMPONENTS

P/N 3040BL	
M NO. 3040	
PIN	3000-H & 1
SHIMS	2 1/4+1/4
PLUNGER PIN	3040-B
INSERT	I0012



10-24 X 3/8 THREADED I0012, H.H. BRASS

MATERIAL: G.P. PHENOLIC (B11)
COLOR: BLACK

TOLERANCES: UNLESS OTHERWISE SPECIFIED	DO NOT SCALE DRAWING			
DECIMALS: X.XXX ± .005 X.XX ± .015	MM: X.XX ± 0.15MM X.X ± 0.4MM	-	CAD/REDRAWN	MH 10/12/98
FRACTIONS ± 1/64	ANG. ± 1°	CHANGES		