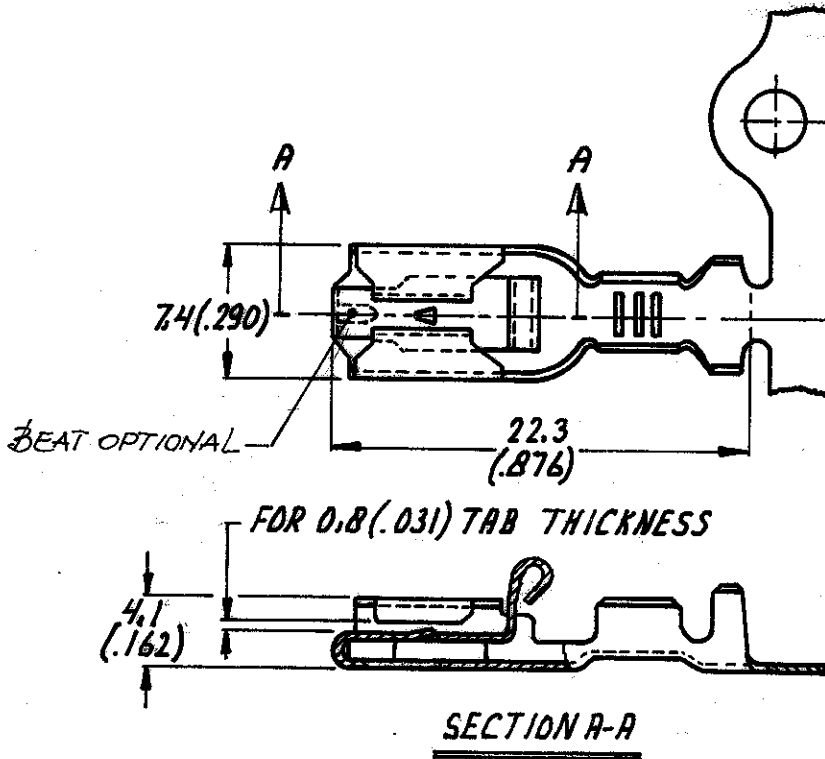


DRAWING MADE IN AMERICAN PROJECTION

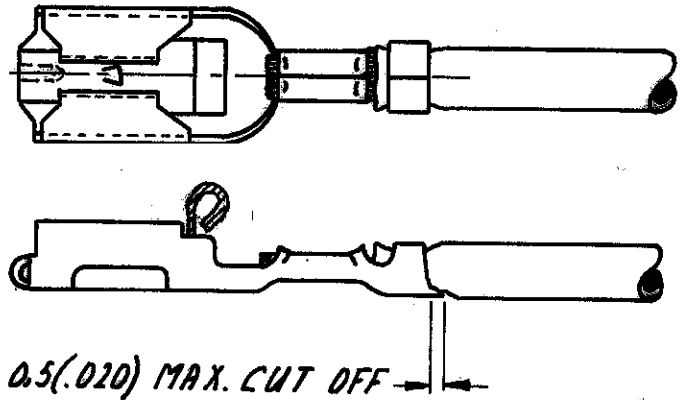
REVISIONS				
LTR	DESCRIPTION	DATE	DWN	APVD
E1	REVISED PER ECO-09-022178	25SEP09	KK	AEQ

NUMBER C-160826



NOTES:

- 1 FOR USE ON MINIATURE APPLICATOR (LEFT-RIGHT FEED).
- 2 FOR USE ON MINIATURE APPLICATOR (LEFT-RIGHT FEED) AMPOMATOR APPLICATION
- 3 GENERAL TOLERANCE $\pm 0,3$ (.012)
- 4 OBSOLETE PARTS: OBSOLETE CIS STREAMLINING PER D.RENAUD/D.SINISI



DIMENSIONS IN M.M. DO NOT SCALE PRINT

6-160826-8	PH. BRONZE	PRE-TIN PLATED
6-160826-7	BRASS	PRE-TIN PLATED
160826-4	PH. BRONZE	TIN PLATED
160826-3	BRASS	TIN PLATED
160826-2	PH. BRONZE	—
160826-1	BRASS	—

CUSTOMER COPY FOR REFERENCE ONLY

©1981 BY AMP-HOLLAND N.V. ALL RIGHTS RESERVED A-MP PRODUCTS COVERED BY PATENTS AND/OR PATENTS PENDING.



AMP-ESPAÑOLA
BARCELONA

ORDER NO.	MATERIAL	PLATING
DR R.V.H. 22.4.81	DATE DE	DATE
CHK [Signature]	DATE 22.4.81	APP [Signature] 24.2.82

WIRE RANGE 22-18 AWG 0.30-0.81 mm	INSUL. RANGE .045-1.00 DIA. 1.1-2.5 mm DIA.	FIRST USED
SCALE N.D.S.	SIZE A	NO C-160826
NAME POSITIVE LOCK RECEPTACLE		REV E1