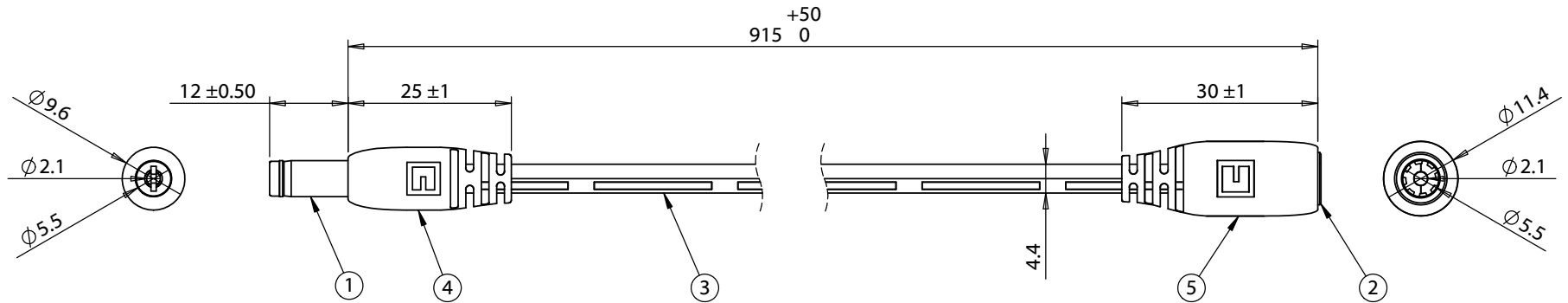


ITEM NO.	PART NUMBER	DESCRIPTION	QTY.	COMPONENT NOTES
1	50-00313	Connector, dc plug, 5.5x2.1xL21mm, brass, nickel-plated, molding type, white insulators	1	
2	50-00025	Connector, dc jack, 5.5x2.1xL17.4 mm, molding style	1	
3	30-00396	Wire, 2C TS, 18 AWG, UL2468, 300V, 80C, 4.4 mm, VW-1, PVC, 87A, white	1	
4	24-00003	Overmold, PVC, white	1	
5	24-00004	Overmold, PVC, white	1	



**Notes:**

Cables individually tied and bundled in groups of 10

Functionally equivalent components may be substituted

7 A, 12 Vdc

Wiring Diagram		
50-00313	wire color	50-00025
center	white with stripe	center
sleeve	white	sleeve

Revision:	Date:	Description:	Prepared:	Notes: RoHS and REACH compliant	<h1>TENSILITY</h1> <p>tel 1.541.323.3228 800 877.670.7118 fax 1.541.323.4202 web tensility.com</p>
A	10/31/2014	Initial release	Verified:		
			Dimensions are in millimeters. Tolerances: X: ± 0.5 mm X.X: ± 0.3 mm X.XX: ± 0.05 mm	Description: Cable, 915 mm, 5.5x2.1x12 mm 50-00313 plug to 5.5x2.1 mm 50-00025 jack, 18 AWG, 30-00396 wire, white	Size: A Part number: 10-01247
					Scale: 1:2  Sheet 1 of 1

5

↑

4

3

2

1