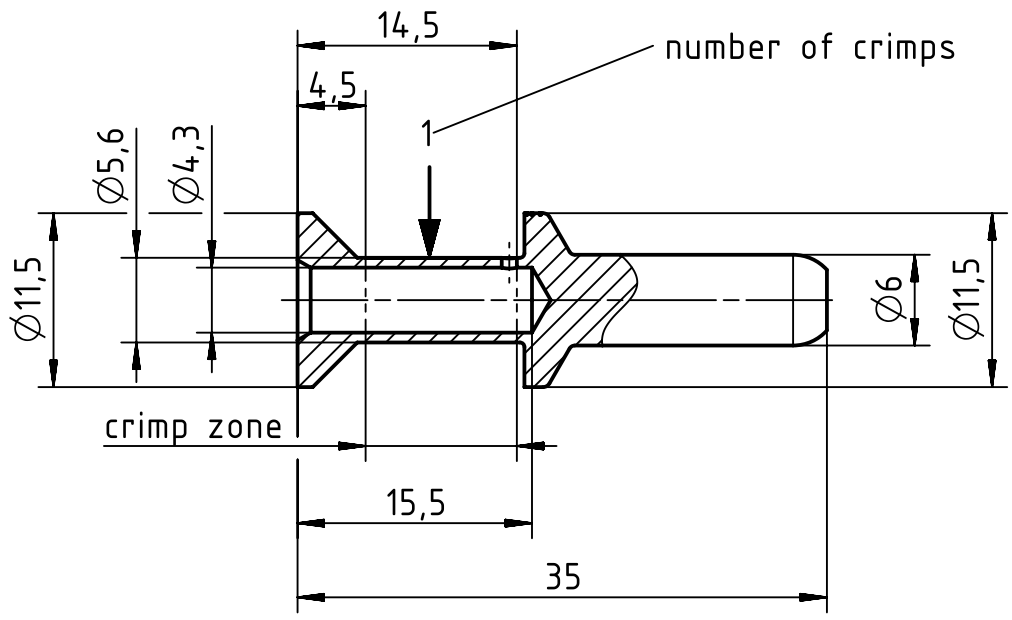


A

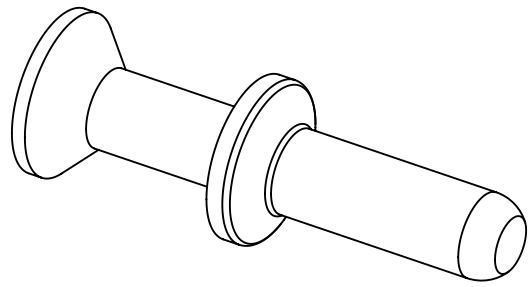
B

C

D



assembly notes see catalog
 crimp zone acc.to DIN EN 46235; indicator 6
 for stranded fine wire acc.to VDE 0295 class 5/ IEC 60228 class 5
 wire gauge: 10 mm²
 stripping length: 15,5mm



| | | | | | | |
|---|--|--|--|---------------------------|-----------------------------|--|
| | All Dimensions in mm Original Size DIN A4 | | Scale 2:1 | Free size tol. | | Ref. |
| | | | | | | Sub. |
| | All rights reserved | | Created by RULLKOETTER | Inspected by SCHNIEDER | Standardisation SCHMIDTM | Date 2015-01-09 |
| | Department EL PD - DE | | | | | State Final Release |
| HARTING Electric GmbH & Co. KG D-32339 Espelkamp | | | Title Han TC70 male contact 10mm ² | | | Doc-Key / ECM-Nr. 100180788/UGD/006/C 500000083148 |
| | | | Type TB | Number 09 11 000 6131 | | Rev. C Page 1/1 |