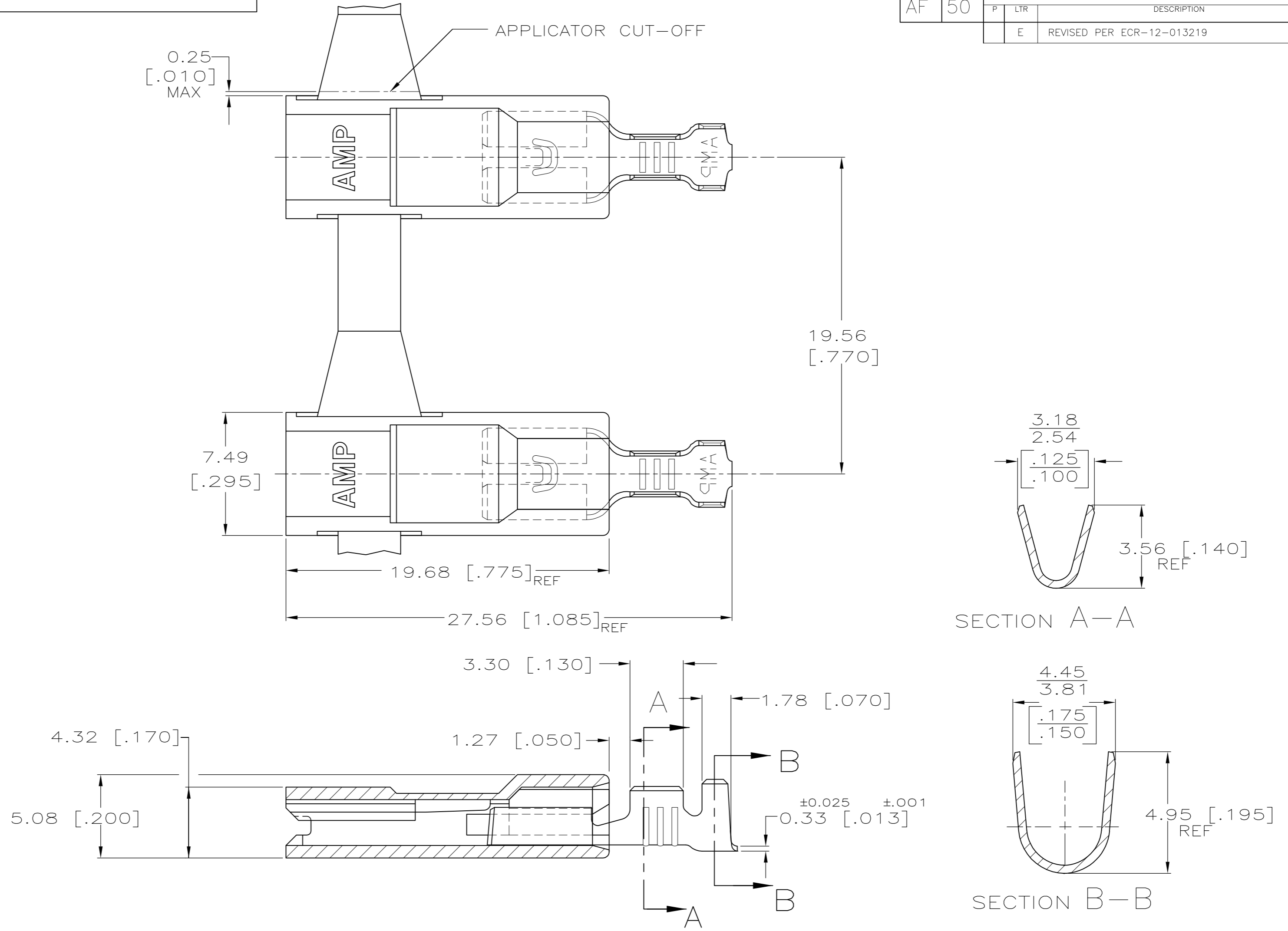


THIS DRAWING IS UNPUBLISHED. RELEASED FOR PUBLICATION  
 © COPYRIGHT - By - ALL RIGHTS RESERVED.

LOC		DIST		REVISIONS			
P	LTR	DESCRIPTION		DATE	DWN	APVD	
AF	50	E		REVISED PER ECR-12-013219	08JAN13	KH	KR



- 1 FASTON TERMINALS, BASE  
P/N 63653, ARE USED IN THIS PRODUCT.
- 2 TIN PLATE PER MIL-T-10727  
.002032 [.000080] MIN.
- 3 6/6 V0 NYLON

STANDARD	TIN	2.29-3.30 [.090-.130] DIA	[#20-#16] AWG	0.508 [.020]	521225-2
PACKAGING	FINISH	INSULATION RANGE	WIRE SIZE	MATING TAB THK ±0.025 [±.001]	521225-1
THIS DRAWING IS A CONTROLLED DOCUMENT.				TE Connectivity	
DIMENSIONS: mm [INCHES]		TOLERANCES UNLESS OTHERWISE SPECIFIED:		NAME	
		0 PLC ± - 1 PLC ± - 2 PLC ± - 3 PLC ± 0.25 [.010] 4 PLC ± - ANGLES ± -		JR RUTH 14SEP99 MS FEHER 14SEP99 J HUMMEL 14SEP99	
MATERIAL		FINISH		PRODUCT SPEC	
TERMINAL - BRASS HOUSING -		TERMINAL - SEE TABLE HOUSING - NATURAL		APPLICATION SPEC	
CUSTOMER DRAWING				114-2124	
SIZE		CAGE CODE		DRAWING NO	
A2		00779		C=521225	
SCALE			SHEET		REV
5:1			1 of 1		E