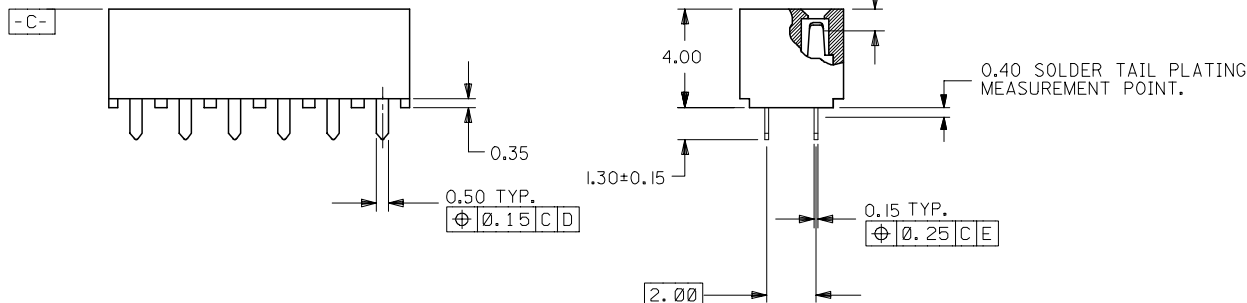
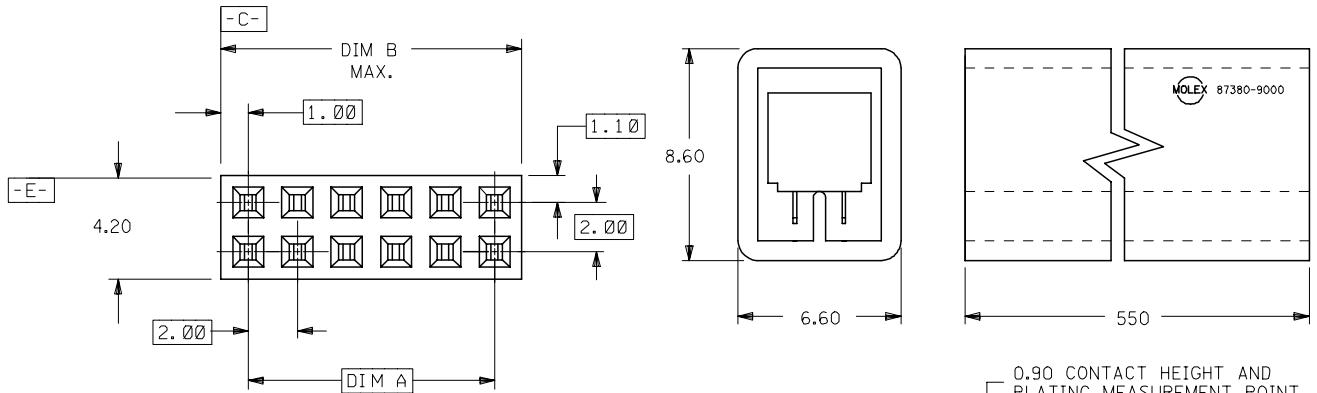
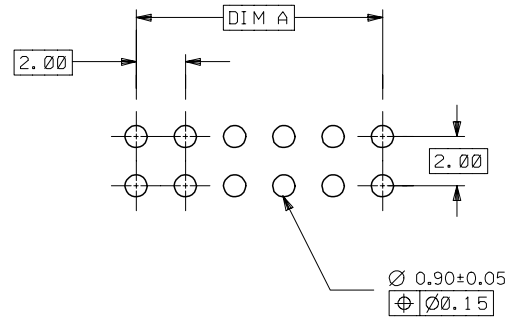


PART NO.	CKT. SIZE	DIM A	DIM B
87380-120*	I2	10.00	12.00



**NOTES:**

- I2 CIRCUIT SIZE SHOWN FOR ILLUSTRATION ONLY. SEE CHART FOR AVAILABLE PART SIZES.
- PRODUCT SPECIFICATION PS-87380 APPLIES.



**RECOMMENDED PCB LAYOUT**  
PC BOARD THK. IS 0.89 ± 0.13mm.

PART NO.	OVERALL	CONTACT AREA	SOLDERTAIL AREA
87380-**06	1.27um/50u" MIN NI	0.38um/15u" MIN GOLD	2.54um/100u" MIN TIN

VOID PART NUMBER EC NO: S2005-0823 DRAWN: LQ1A0 2005/05/26 CHKD: PTLIM 2005/05/27 APPR: SLOW 2005/05/28	QUALITY SYMBOLS ▽=0 ▽C=0	GENERAL TOLERANCES (UNLESS SPECIFIED)		DIMENSION STYLE MM ONLY		SCALE	DESIGN UNITS	THIRD ANGLE PROJECTION	
		mm	INCH	mm ONLY	INCH	NTS	METRIC	⊙	□
REV DESCRIPTION		4 PLACES	± ---	± ---	DRAWN BY	DATE	TITLE SALES, MGRID 2MM RECEPT. TOP ENTRY T/H 4.00MM HT. 1.30MM SOLDERTAIL	MOLEX INCORPORATED	SHEET NO. 1 OF 1
		3 PLACES	± ---	± ---	CHECKED BY	DATE			
		2 PLACES	± 0.13	± ---	JNG	1991/03/20			
		1 PLACE	± ---	± ---	APPROVED BY	DATE			
					YTYAP	1991/03/20			
		ANGULAR ± 3 °		MATERIAL NO.	DOCUMENT NO.				
		DRAFT WHERE APPLICABLE MUST REMAIN WITHIN DIMENSIONS		SEE TABLE		SD-87380-**01			
		THIS DRAWING CONTAINS INFORMATION THAT IS PROPRIETARY TO MOLEX INCORPORATED AND SHOULD NOT BE USED WITHOUT WRITTEN PERMISSION							