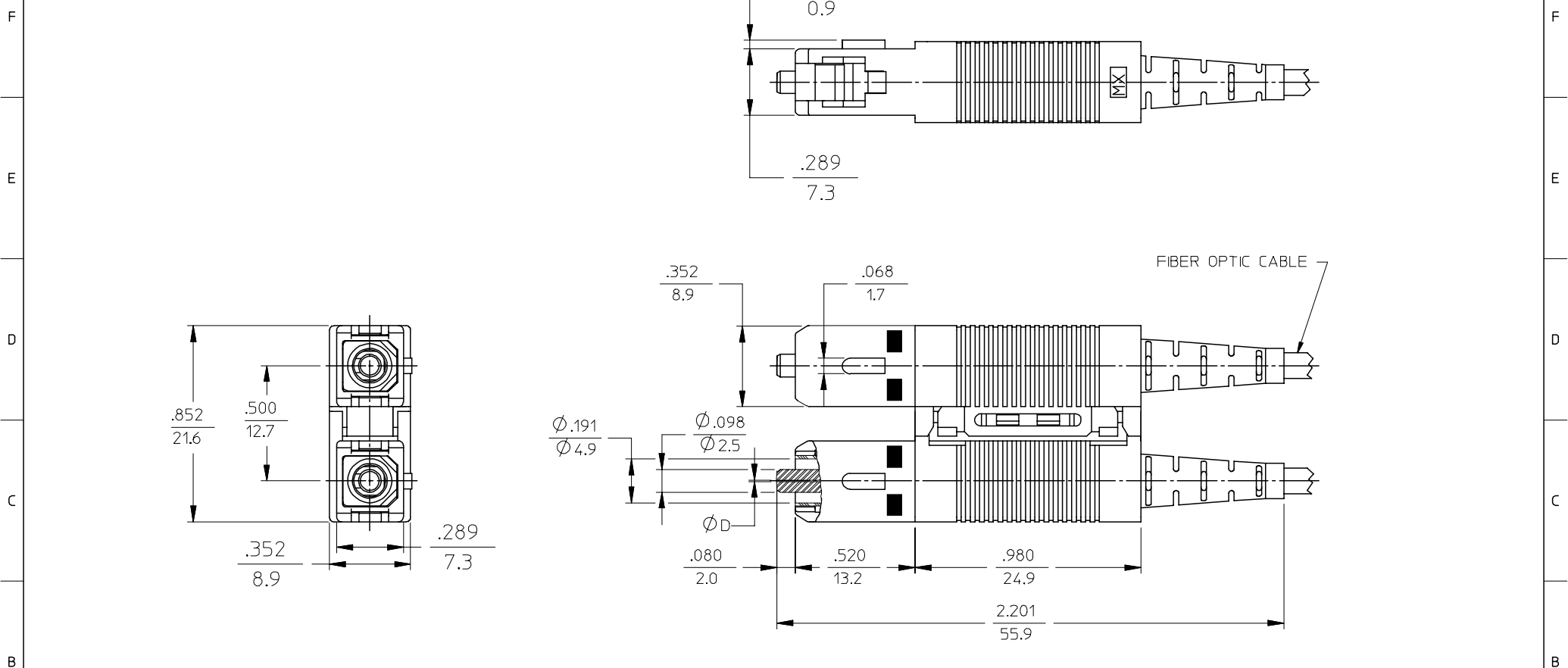


10 9 8 7 6 5 4 3 2 1



| ENTER DESCRIPTION EC NO: MF2006-0318 DRWNL: SADAUSKIENE 2005/11/17 CHKD: 2005/11/18 APPR: IGUMIN 2005/11/18 REV A | QUALITY SYMBOLS ▽=0 ▽=0 | GENERAL TOLERANCES (UNLESS SPECIFIED) | | DIMENSION STYLE IN/MM | | SCALE 4:1 | DESIGN UNITS INCH | THIRD ANGLE PROJECTION | | | | | | | | | | | | | | | | |
|--|-------------------------------|---|-------|-----------------------------|----|-------------------|----------------------|------------------------|-------|----------|-------|-------|----------|-------|-------|---------|-------|-------|--|--|--|--|--|--|
| | | <table border="1"> <thead> <tr> <th></th> <th>mm</th> <th>INCH</th> </tr> </thead> <tbody> <tr> <td>4 PLACES</td> <td>± ---</td> <td>± ---</td> </tr> <tr> <td>3 PLACES</td> <td>± ---</td> <td>± ---</td> </tr> <tr> <td>2 PLACES</td> <td>± ---</td> <td>± ---</td> </tr> <tr> <td>1 PLACE</td> <td>± ---</td> <td>± ---</td> </tr> </tbody> </table> | | | mm | INCH | 4 PLACES | ± --- | ± --- | 3 PLACES | ± --- | ± --- | 2 PLACES | ± --- | ± --- | 1 PLACE | ± --- | ± --- | DRAWN BY: RPACIFIC DATE: 2005/10/04 CHECKED BY: _____ DATE: _____ | | TITLE SC FIBER CHANNEL DUPLEX CONNECTOR | | | |
| | | | mm | INCH | | | | | | | | | | | | | | | | | | | | |
| | | 4 PLACES | ± --- | ± --- | | | | | | | | | | | | | | | | | | | | |
| 3 PLACES | ± --- | ± --- | | | | | | | | | | | | | | | | | | | | | | |
| 2 PLACES | ± --- | ± --- | | | | | | | | | | | | | | | | | | | | | | |
| 1 PLACE | ± --- | ± --- | | | | | | | | | | | | | | | | | | | | | | |
| ANGULAR ±1/2° | | APPROVED BY: I.GUMIN DATE: 2005/11/15 | | MATERIAL NO. SEE TABLE | | | | | | | | | | | | | | | | | | | | |
| DRAFT WHERE APPLICABLE MUST REMAIN WITHIN DIMENSIONS | | MATERIAL NO. SEE TABLE | | DOCUMENT NO. SD-106034-XXX0 | | SHEET NO. 1 OF 02 | | | | | | | | | | | | | | | | | | |

1b_frame_B_P_ME_T Rev. D 2004/04/02 9 8 7 6 5 4 3 2 1

| | | | | | | | | | | | | | | | |
|-------------|--|--|----------------|----------------|----------------|-----------------------------|----------------|---|---|---|---|---|---|--|--|
| | 13 | 12 | 11 | 10 | 9 | 8 | 7 | 6 | 5 | 4 | 3 | 2 | 1 | | |
| | CONNECTOR P/N | ØD Hm | HOUSING COLOR | BOOT COLOR | CONNECTOR TYPE | FIBER OPTIC CABLE SIZE (mm) | | | | | | | | | |
| J | 106034-0000 | 127 $\begin{smallmatrix} +3.0 \\ -0.0 \end{smallmatrix}$ | BEIGE | BEIGE | MULTIMODE | 3.0 | | J | | | | | | | |
| | 106034-0900 | | | | | 2.0&1.6 DUPLEX | | | | | | | | | |
| | 106034-0100 | | | | | 1.6 SMPLEX | | | | | | | | | |
| | 106034-0070 | | | | | 3.0 | | | | | | | | | |
| 106034-0970 | BLACK | | BLACK | 2.0&1.6 DUPLEX | | I | | | | | | | | | |
| 106034-0170 | | | | 1.6 SMPLEX | | | | | | | | | | | |
| 106034-0080 | | | | 3.0 | | | | | | | | | | | |
| 106034-0980 | | | | 2.0&1.6 DUPLEX | | | | | | | | | | | |
| 106034-0180 | RED | RED | 1.6 SMPLEX | | H | | | | | | | | | | |
| 106034-2000 | | | 3.0 | | | | | | | | | | | | |
| 106034-2900 | | | 2.0&1.6 DUPLEX | | | | | | | | | | | | |
| 106034-2100 | | | 1.6 SMPLEX | | | | | | | | | | | | |
| 106034-3000 | 125.5 $\begin{smallmatrix} +1.0 \\ -0.0 \end{smallmatrix}$ | BLUE | BLUE | SINGLE MODE | | | 3.0 | | H | | | | | | |
| 106034-3900 | | | | | | | 2.0&1.6 DUPLEX | | | | | | | | |
| 106034-3910 | | | | | | | 1.6 SMPLEX | | | | | | | | |
| 106034-3070 | | | | | | | 3.0 | | | | | | | | |
| 106034-3920 | | BEIGE | BEIGE | | | | 2.0&1.6 DUPLEX | | | G | | | | | |
| 106034-3100 | | | | | | 1.6 SMPLEX | | | | | | | | | |
| 106034-3070 | | | | | | 3.0 | | | | | | | | | |
| 106034-3970 | | | | | | 2.0&1.6 DUPLEX | | | | | | | | | |
| 106034-3170 | BLACK | BLACK | 1.6 SMPLEX | | G | | | | | | | | | | |
| 106034-3080 | | | 3.0 | | | | | | | | | | | | |
| 106034-3980 | | | 2.0&1.6 DUPLEX | | | | | | | | | | | | |
| 106034-3180 | | | 1.6 SMPLEX | | | | | | | | | | | | |
| 106034-5000 | 126 $\begin{smallmatrix} +1.0 \\ -0.0 \end{smallmatrix}$ | BLUE | BLUE | SINGLE MODE | | 3.0 | | F | | | | | | | |
| 106034-5900 | | | | | | 2.0&1.6 DUPLEX | | | | | | | | | |
| 106034-5100 | | | | | | 1.6 SMPLEX | | | | | | | | | |
| 106034-6000 | | | | | | 3.0 | | | | | | | | | |
| 106034-6900 | | RED | RED | | | 2.0&1.6 DUPLEX | | | F | | | | | | |
| 106034-6100 | | | | | | 1.6 SMPLEX | | | | | | | | | |
| 106034-6900 | | | | | | 2.0&1.6 DUPLEX | | | | | | | | | |
| 106034-6100 | | | | | | 1.6 SMPLEX | | | | | | | | | |
| E | | | | | | | | | | | | | E | | |
| D | | | | | | | | | | | | | D | | |
| C | | | | | | | | | | | | | C | | |
| B | | | | | | | | | | | | | B | | |
| A | | | | | | | | | | | | | A | | |

| | | | | | | | | | | |
|---|------------------------------------|--|---------|---|--------------------|--|----------------------|---|--------------------------------|--|
| ENTER DESCRIPTION EC NO: MF2006-0318 DRAWN: SADASKI/ENE 2005/11/17 CHKD: 2005/11/18 APPR: I.GUMIN 2005/11/18 REVISIONS A | QUALITY SYMBOLS =0 =0 | GENERAL TOLERANCES (UNLESS SPECIFIED) | | DIMENSION STYLE IN/MM | | SCALE 4:1 | DESIGN UNITS INCH | THIRD ANGLE PROJECTION | | |
| | | 4 PLACES ± --- ± --- | mm INCH | DRAWN BY RPACIFICI | DATE 2005/10/04 | TITLE SC FIBER CHANNEL DUPLEX CONNECTOR | | | | |
| | | 3 PLACES ± --- ± --- | | CHECKED BY DATE | | | | | | |
| | | 2 PLACES ± --- ± --- | | APPROVED BY I.GUMIN | | DATE 2005/11/15 | MOLEX INCORPORATED | | MATERIAL NO. SD-106034-XXX0 | |
| 1 PLACE ± --- ± --- | | ANGULAR ±1/2° | | DRAFT WHERE APPLICABLE MUST REMAIN WITHIN DIMENSIONS | | SIZE C | | THIS DRAWING CONTAINS INFORMATION THAT IS PROPRIETARY TO MOLEX INCORPORATED AND SHOULD NOT BE USED WITHOUT WRITTEN PERMISSION | | |
| | | | | SEE TABLE | | DOCUMENT NO. | | SHEET NO. 2 OF 02 | | |