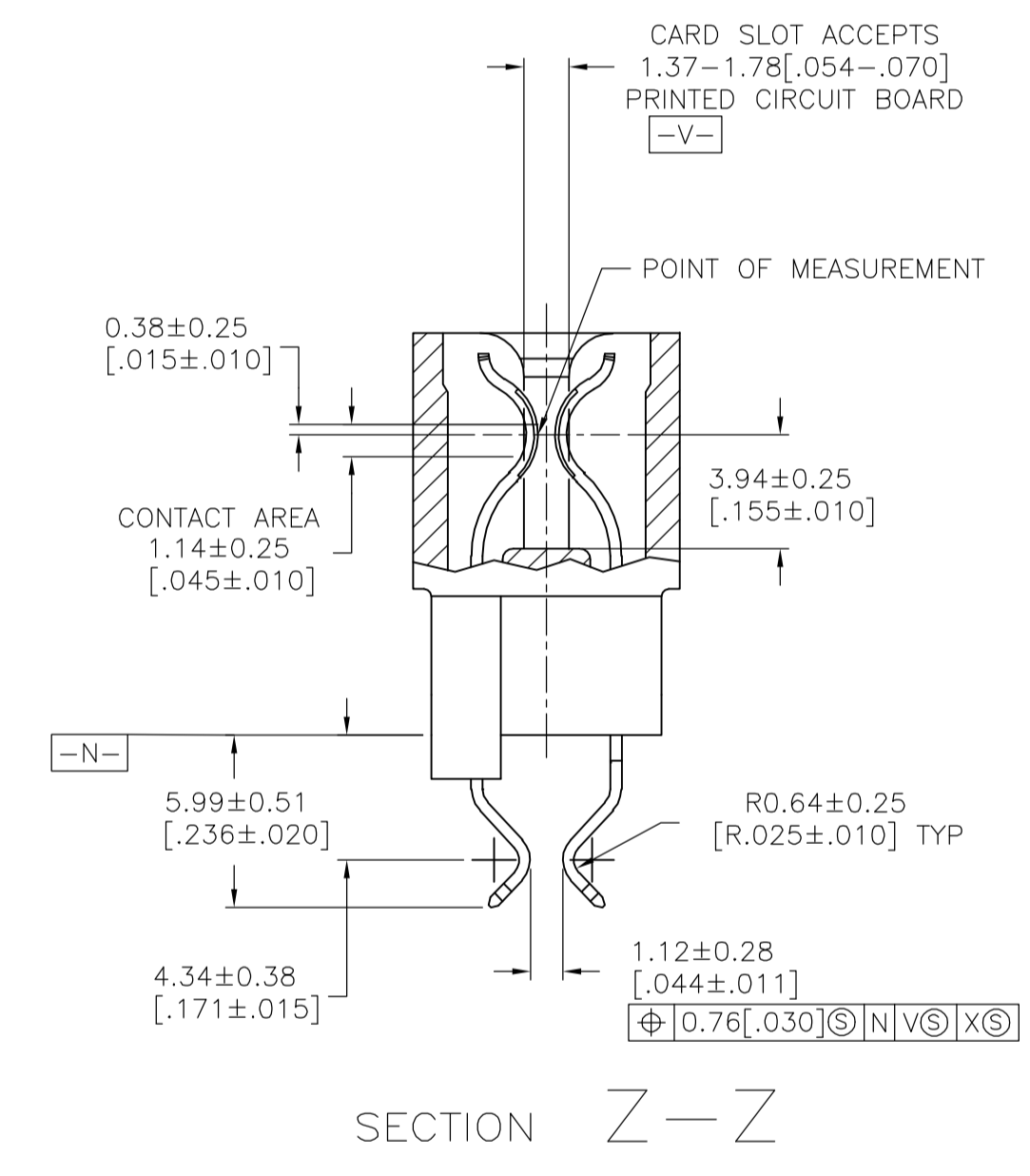


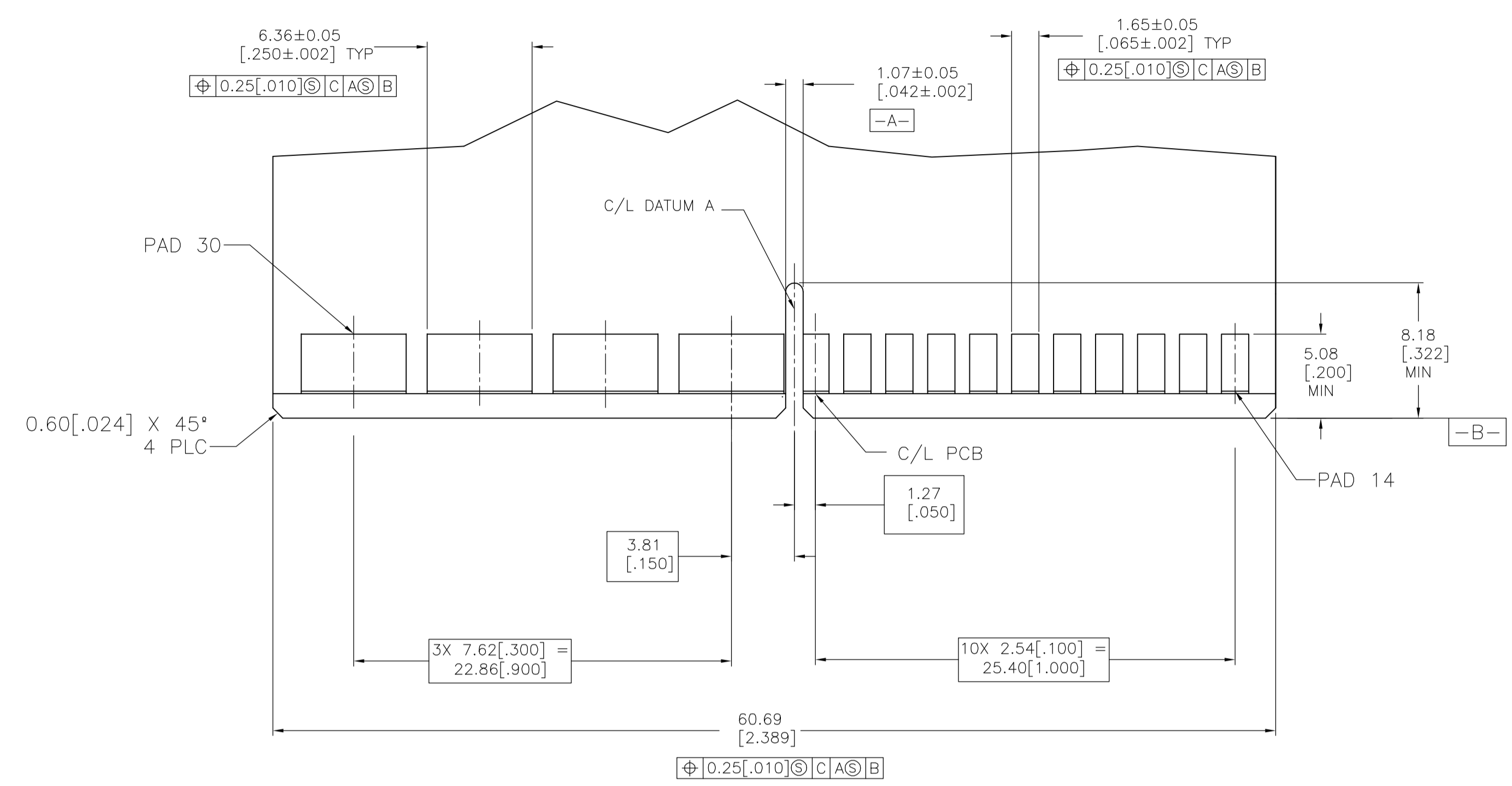
- HOUSING MATERIAL: GLASS FILLED POLYESTER, COLOR: BLACK
- CONTACT BASE MATERIAL: HIGH CONDUCTIVITY COPPER ALLOY
- CONTACT FINISH: NICKEL PLATE, .00127 [0.00050] MIN, ALL OVER OVER MATTE TIN PLATE, .00254 [0.00100] MIN ON SOLDER POSTS, GOLD PLATE, .00076 [0.00030] MIN IN MATING INTERFACE
- AMP PART NUMBER AND DATE CODE MARKED IN APPROXIMATE AREA SHOWN
- NO BURRS AND/OR SHARP EDGES ARE PERMISSABLE



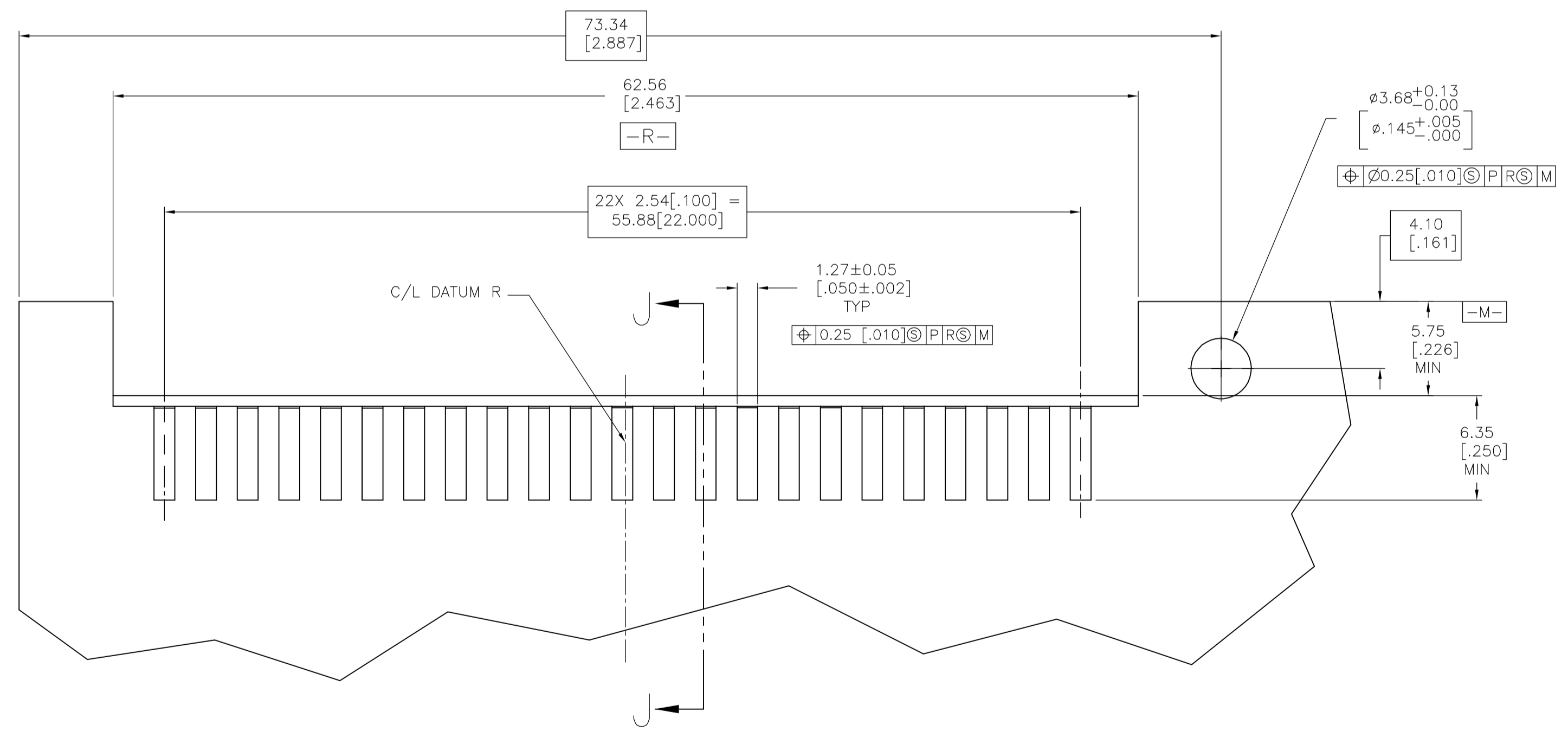
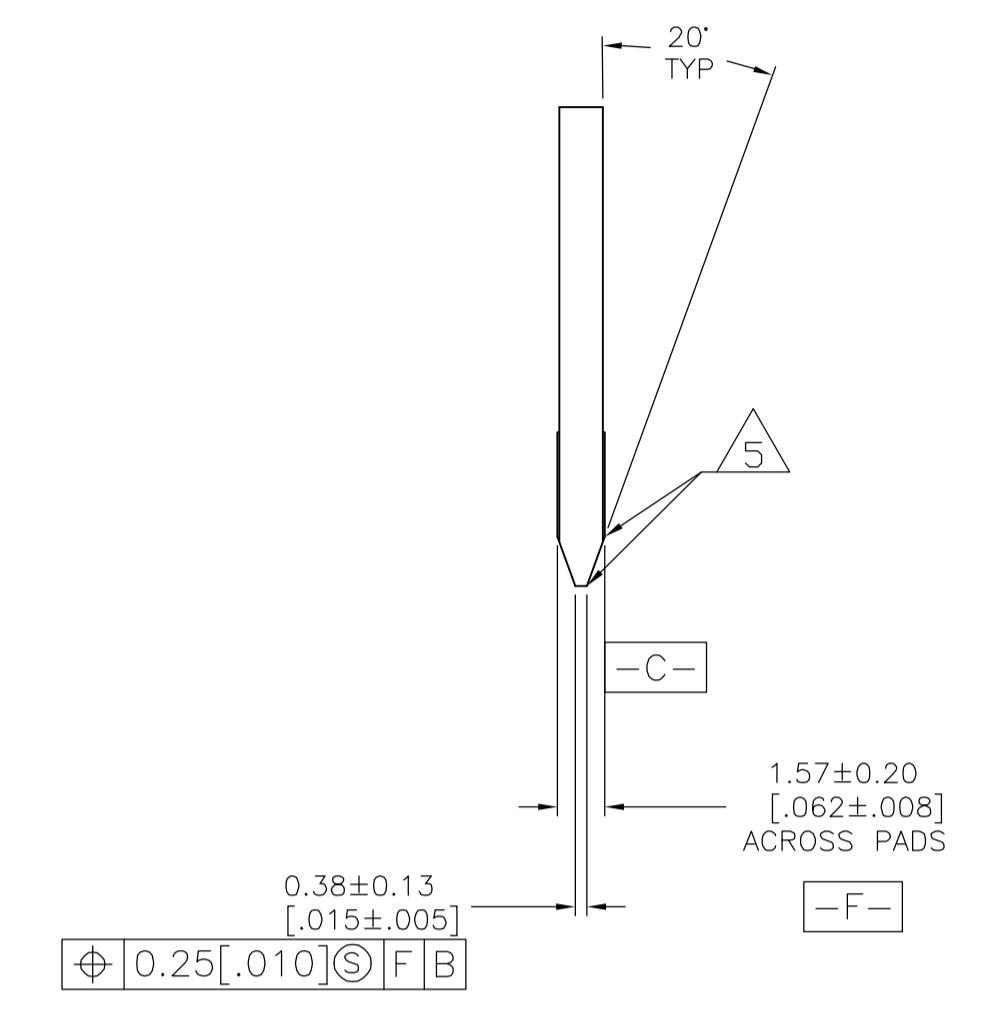
11	4	1761879-1
NO OF SINGLE POSITIONS	NO OF MULTIPLE POSITIONS	PART NUMBER

THIS DRAWING IS A CONTROLLED DOCUMENT.

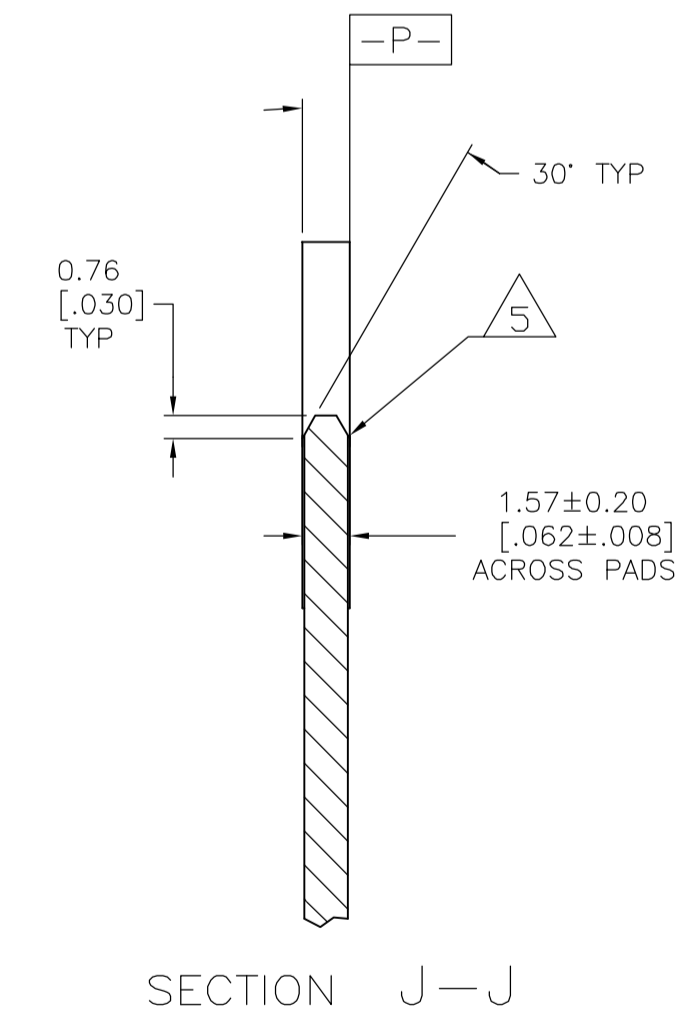
DIMENSIONS:	TOLERANCES UNLESS OTHERWISE SPECIFIED:	DWN	18 APR 05		Tyco Electronics Corporation Middletown, PA 17057
MATERIAL SEE NOTE 1 & 2	FINISH SEE NOTE 3	CHK	18 APR 05		AL FRANTUM
		APVD	17JULY2006	S. FLICKINGER	PRODUCT SPEC
		SIZE	A1	108-2202	APPLICATION SPEC
		WEIGHT	-	1761879	RESTRICTED TO
		CUSTOMER DRAWING	SCALE	4:1	SHEET
				1	OF
				2	REV
				B	



RECOMMENDED MATING BOARD EDGE CONFIGURATION  
 TYP BOTH SIDES



RECOMMENDED PC BOARD LAYOUT FOR CONNECTOR MOUNTING  
 TYP BOTH SIDES



THIS DRAWING IS A CONTROLLED DOCUMENT.		DIN AL FRANTUM 18 APR 05	 Tyco Electronics Corporation Middletown, PA 17057
DIMENSIONS: MM [INCHES]		CHK AL FRANTUM 18 APR 05	
TOLERANCES UNLESS OTHERWISE SPECIFIED:		APVD S. FLICKINGER 17 JULY 2006	NAME
0 PLC ± -	1 PLC ± -	PRODUCT SPEC	CONNECTOR ASSEMBLY,
2 PLC ± ± 28 [0.10]	3 PLC ± ± -	APPLICATION SPEC	SEC II POWER, DUAL POSITION,
4 PLC ± ± -	ANGLES ± 1°	SIZE	2.54 [0.100] CENTERLINE, CARD EDGE
MATERIAL SEE SHEET 1	FINISH SEE SHEET 1	WEIGHT	RESTRICTED TO
CUSTOMER DRAWING		SCALE 4:1	SHEET 2 OF 2