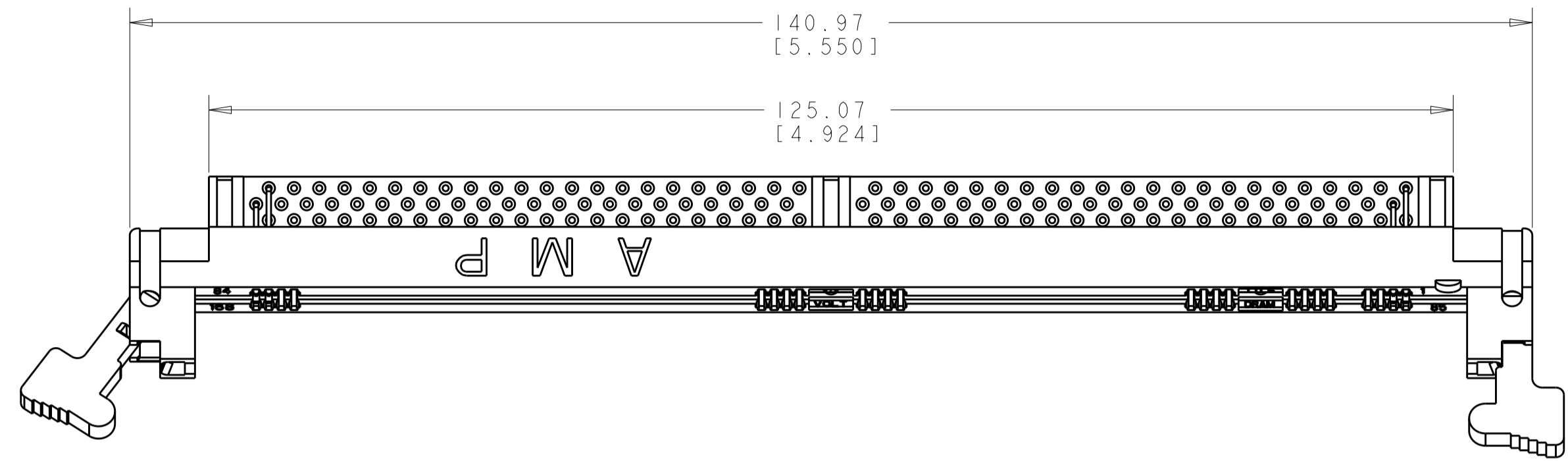
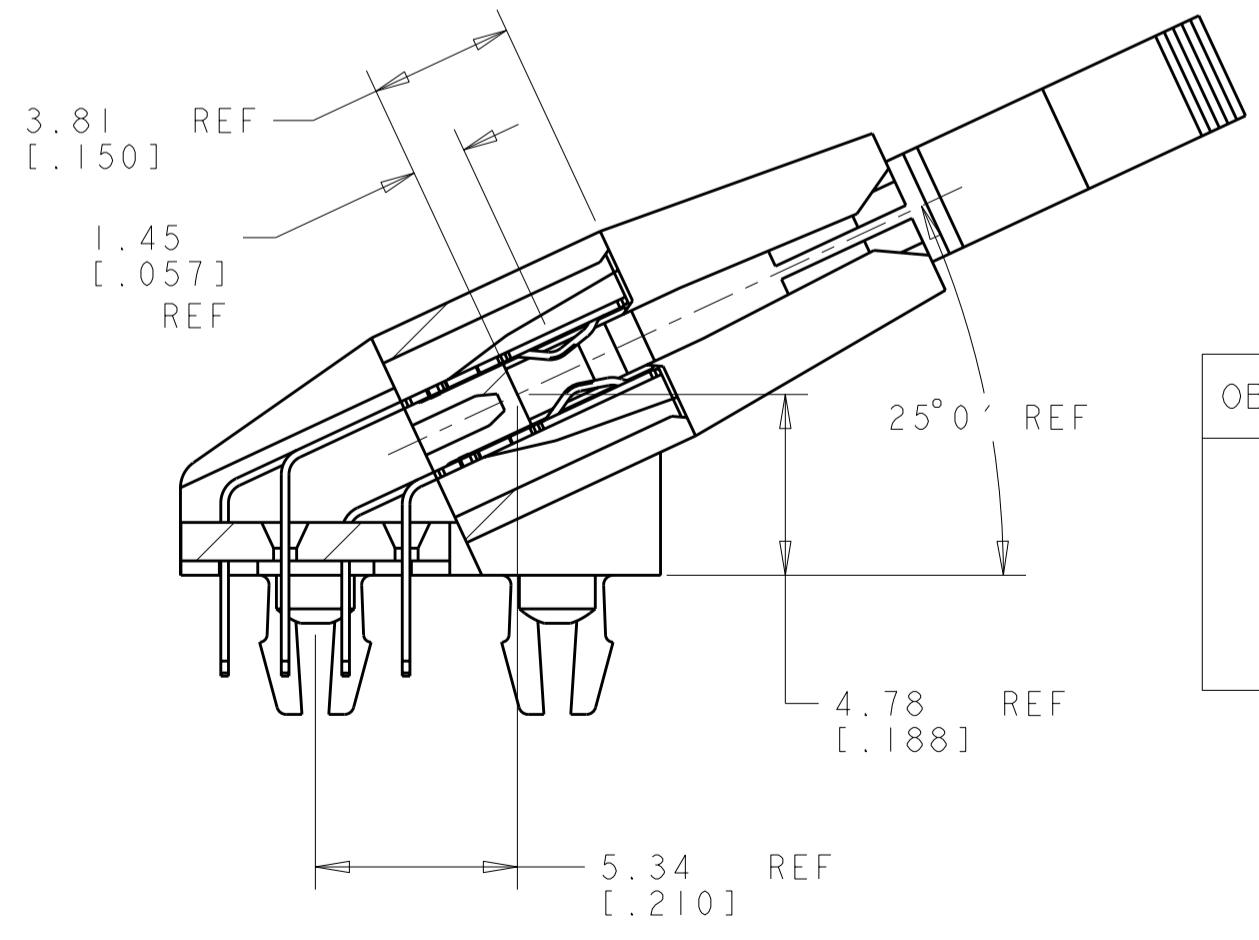
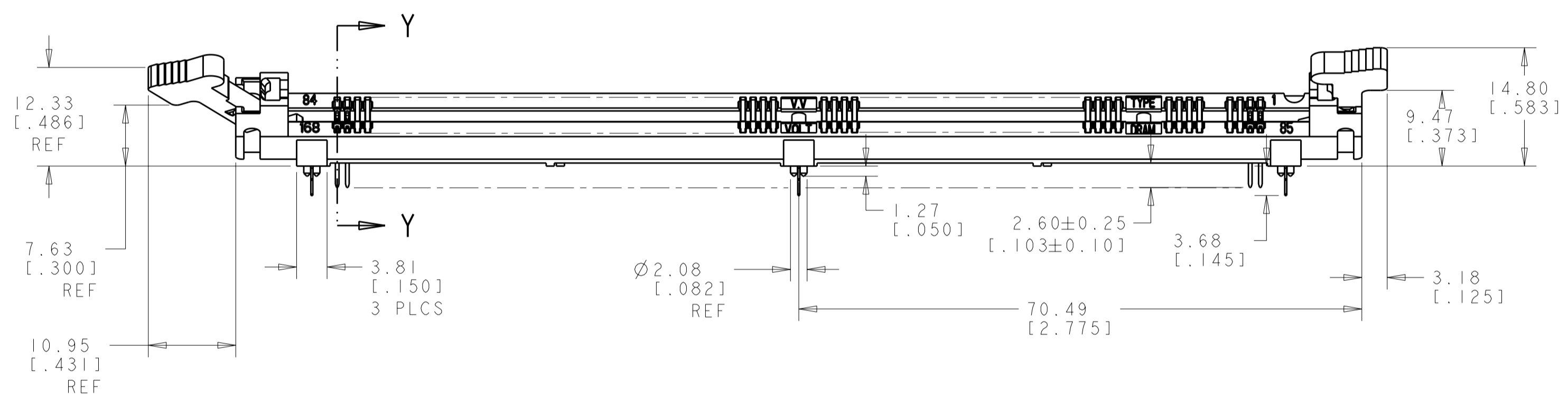


THIS DRAWING IS UNPUBLISHED. RELEASED FOR PUBLICATION 20
 © COPYRIGHT 20 BY TYCO ELECTRONICS CORPORATION. ALL RIGHTS RESERVED.

REVISIONS					
P	LTR	DESCRIPTION	DATE	DWN	APVD
B		REVISED ECR-06-000966	19JAN06	LZ	SY
C		ECR-11-013206	27JUN2011	D.P	C.W



- NOTES:
- MATERIAL:
HOUSING AND EJECTOR:
HIGH TEMPERATURE NYLON
CONTACT:
PHOSPHOR BRONZE
 - FINISH:
CONTACT AREA:
0.00076[.000030] MIN THICK GOLD OVER
0.00381[.000150] MIN THICK NICKEL
SOLDERTAIL:
0.00381[.000150] MIN THICK MATTE TIN OVER
0.00064[.000025] MIN THICK NICKEL
 - MODULE BOARD PADS:
FOR OPTIMUM PERFORMANCE PADS SHOULD BE SMOOTH AND FLAT
PADS TO BE PLATED WITH:
0.00102[.000040] MIN THICK GOLD OVER
0.00127[.000050] MIN THICK NICKEL
 - FINISH:
CONTACT AREA:
0.00076[.000030] MIN THICK GOLD OVER
0.00381[.000150] MIN THICK NICKEL
SOLDERTAIL:
GOLD FLASH OVER 0.00064[.000025] MIN THICK NICKEL



SECTION Y-Y
SCALE 5:1

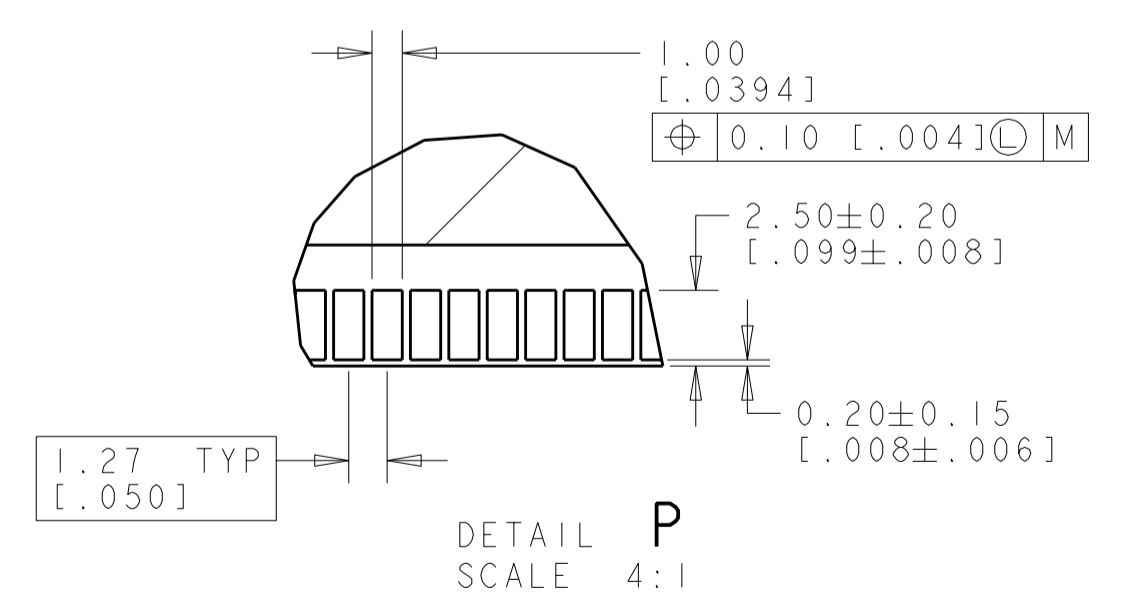
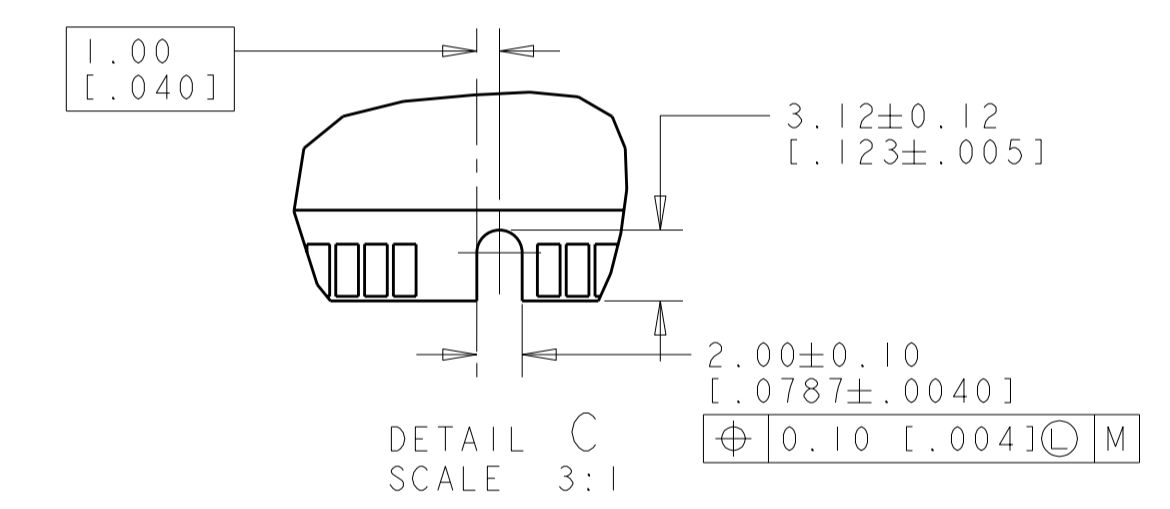
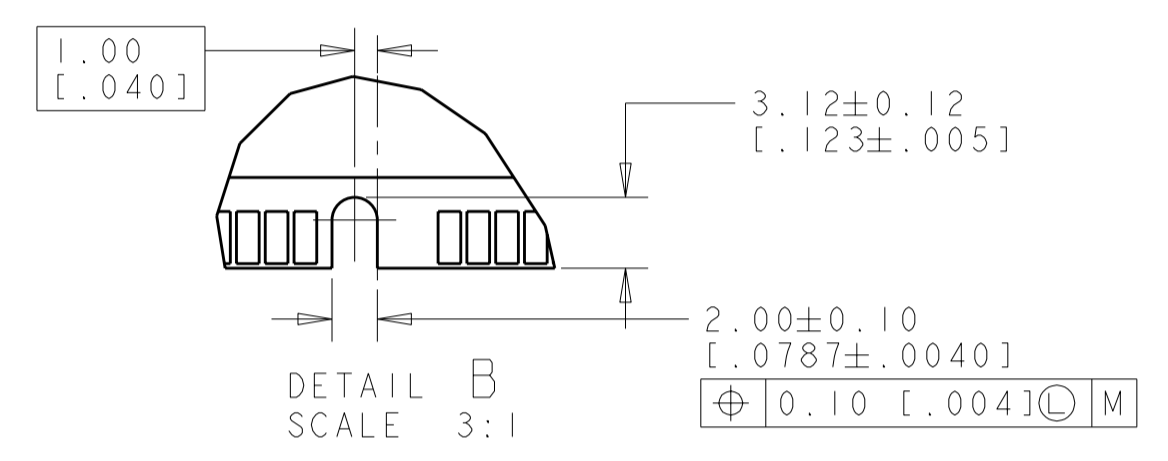
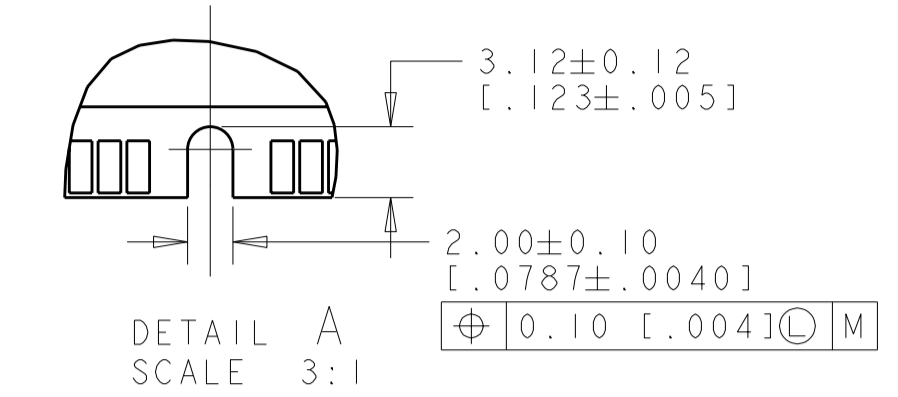
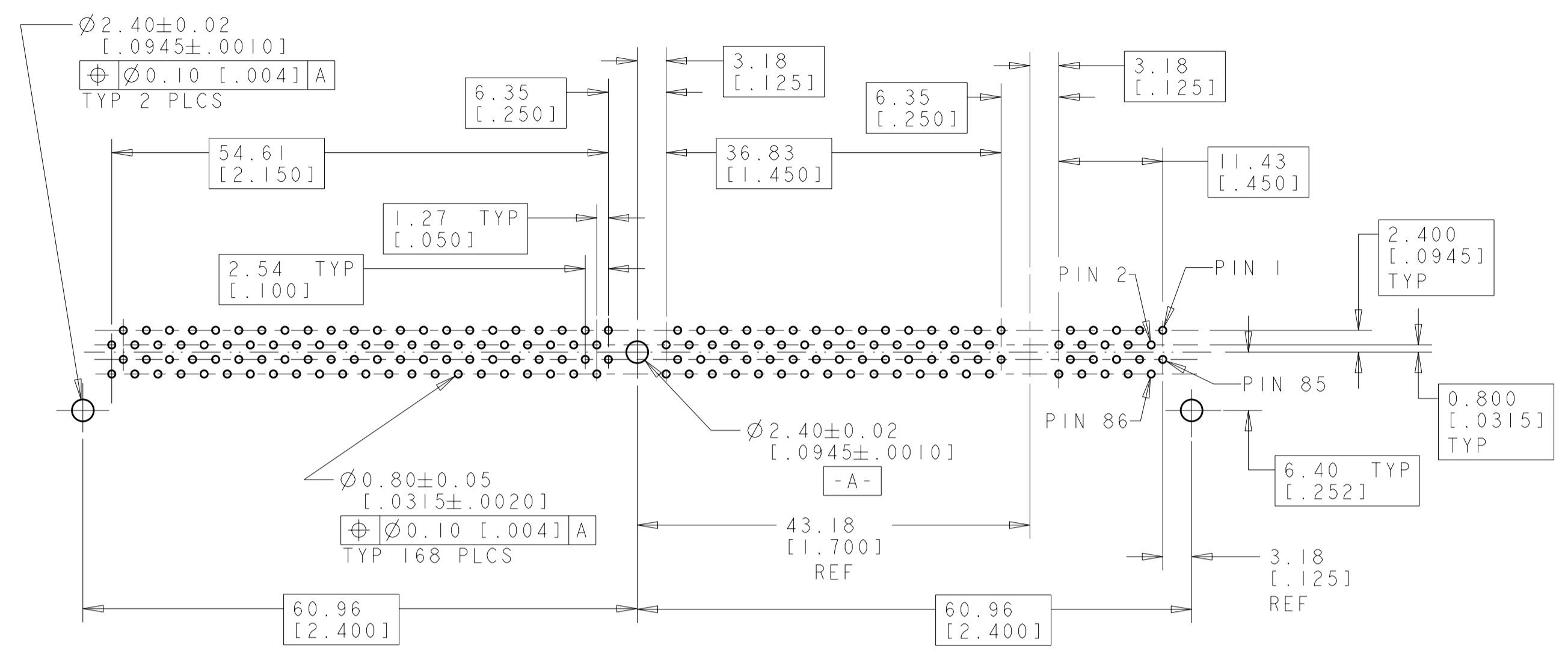
OBSOLETE	KEY #1	KEY #2	PART DESCRIPTION	PART NUMBER
	4		NON-BUFFERED DRAM, 3.3 VOLT	2-5390195-6
	2		NON-BUFFERED DRAM, 3.3 VOLT	5390195-6
	2		STD DRAM, 3.3 VOLT	5390195-4

THIS DRAWING IS A CONTROLLED DOCUMENT FOR TYCO ELECTRONICS CORPORATION IT IS SUBJECT TO CHANGE AND THE CONTROLLING ENGINEERING ORGANIZATION SHOULD BE CONTACTED FOR THE LATEST REVISION.		DWN M. YEOMANS 13JAN05 CHK M. YEOMANS 13JAN05 APVD S. BURKHOLDER 13JAN05	tyco Electronics Tyco Electronics Corporation SH/CN GuiPingRD 668#
DIMENSIONS: mm [INCHES]	TOLERANCES UNLESS OTHERWISE SPECIFIED: 0 PLC ± 1 PLC ± 2 PLC ±0.13[.005] 3 PLC ± 4 PLC ± ANGLES ± FINISH	PRODUCT SPEC APPLICATION SPEC WEIGHT CUSTOMER DRAWING	NAME LOW PROFILE (25 DEG) DIMM 2P SOCKET CENTER METAL BOARD LOCK 168 POSITION SIZE CAGE CODE DRAWING NO RESTRICTED TO A20779C-5390195 SCALE SHEET OF 3 REV C

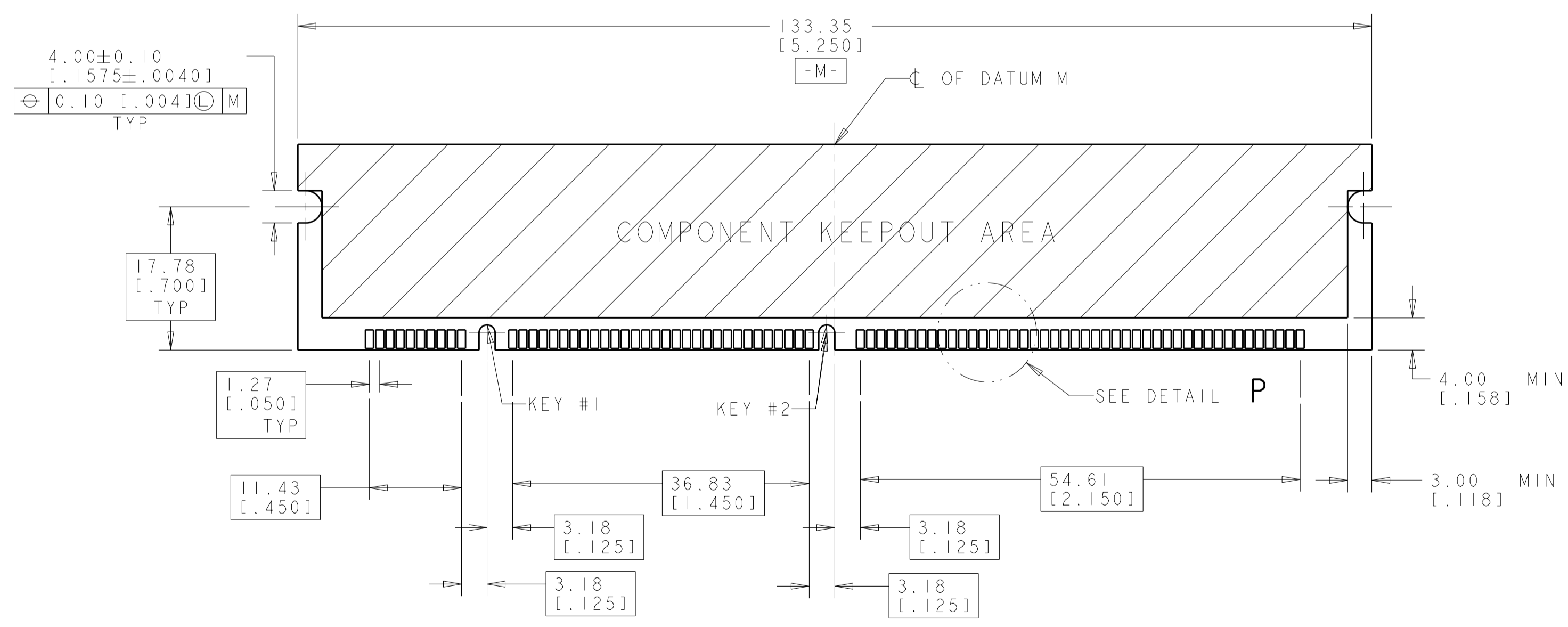
5390195

THIS DRAWING IS UNPUBLISHED. RELEASED FOR PUBLICATION 20
 © COPYRIGHT 20 BY TYCO ELECTRONICS CORPORATION. ALL RIGHTS RESERVED.

LOC	DIST	REVISIONS				
P	LTR	DESCRIPTION	DATE	DWN	APVD	
ES	00	SEE SHEET 1				



RECOMMENDED CIRCUIT BOARD HOLE LAYOUT



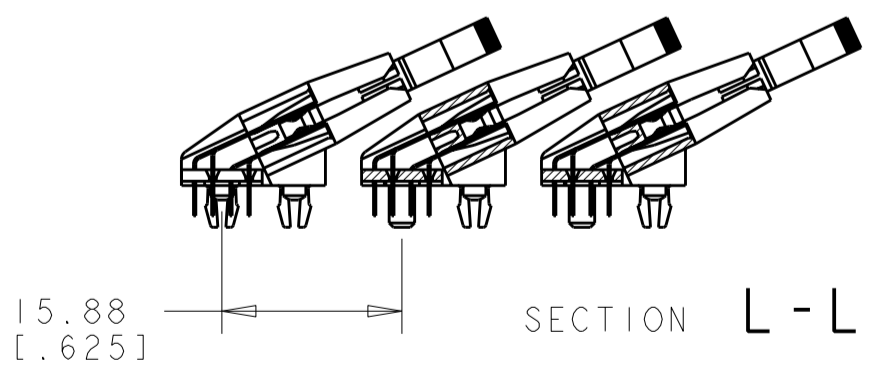
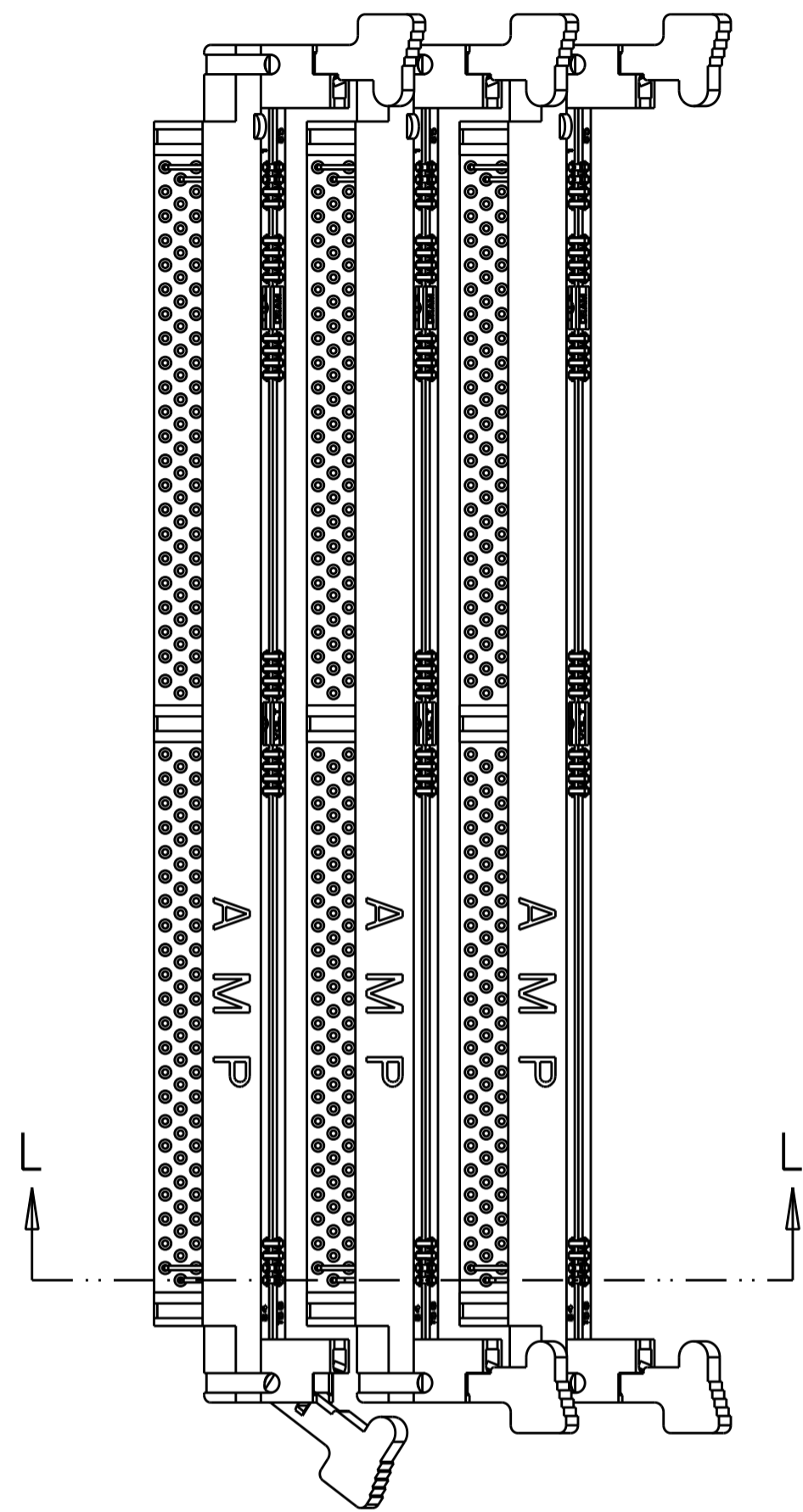
RECOMMENDED MODULE LAYOUT

SEE JEDEC SPEC. MO-161 FOR COMPLETE MODULE DETAILS
 1.27 \pm 0.10 [.050 \pm .004] THICK ACROSS CONTACT PADS

THIS DRAWING IS A CONTROLLED DOCUMENT FOR TYCO ELECTRONICS CORPORATION. IT IS SUBJECT TO CHANGE AND THE CONTROLLING ENGINEERING ORGANIZATION SHOULD BE CONTACTED FOR THE LATEST REVISION.		DWN M. YEOMANS 13 JAN 05	Tyco Electronics Corporation SH/CN GuiPingRD 668#	
DIMENSIONS: mm [INCHES]		CHK M. YEOMANS 13 JAN 05	NAME LOW PROFILE (25 DEG) DIMM 2P SOCKET CENTER METAL BOARD LOCK 168 POSITION	
TOLERANCES UNLESS OTHERWISE SPECIFIED: 0 PLC \pm 1 PLC \pm 2 PLC ± 0.13 [.005] 3 PLC \pm 4 PLC \pm ANGLES \pm FINISH		APVD S. BURKHOLDER 13 JAN 05	PRODUCT SPEC APPLICATION SPEC WEIGHT SCALE 4:1	
MATERIAL		RESTRICTED TO		SIZE A200779
CUSTOMER DRAWING		DRAWING NO. 5390195		SHEET 2 OF 3

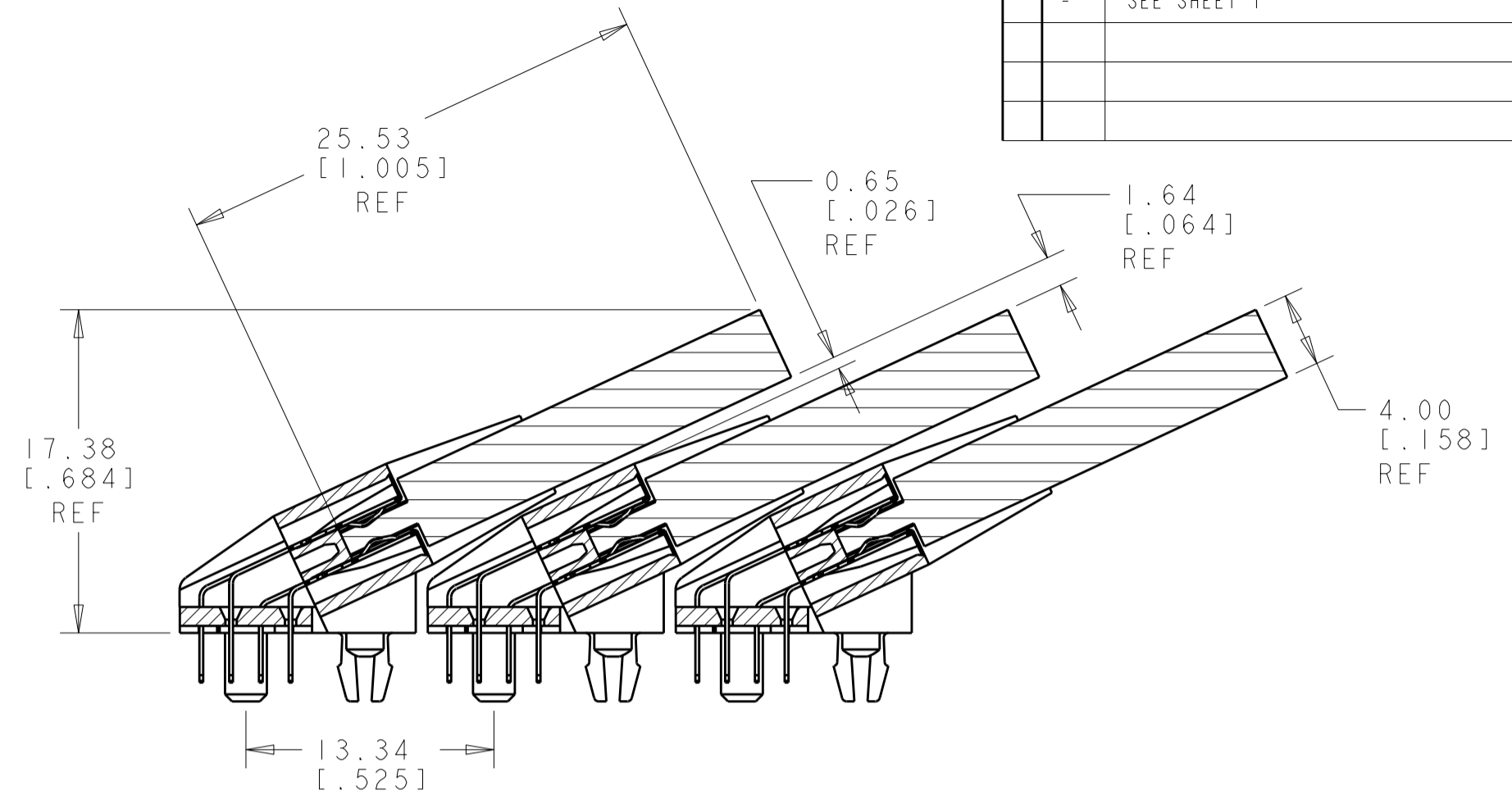
THIS DRAWING IS UNPUBLISHED. RELEASED FOR PUBLICATION 20
 © COPYRIGHT 20 BY TYCO ELECTRONICS CORPORATION. ALL RIGHTS RESERVED.

LOC	DIST	REVISIONS			
P	LTR	DESCRIPTION	DATE	DWN	APVD
ES	00	SEE SHEET 1			



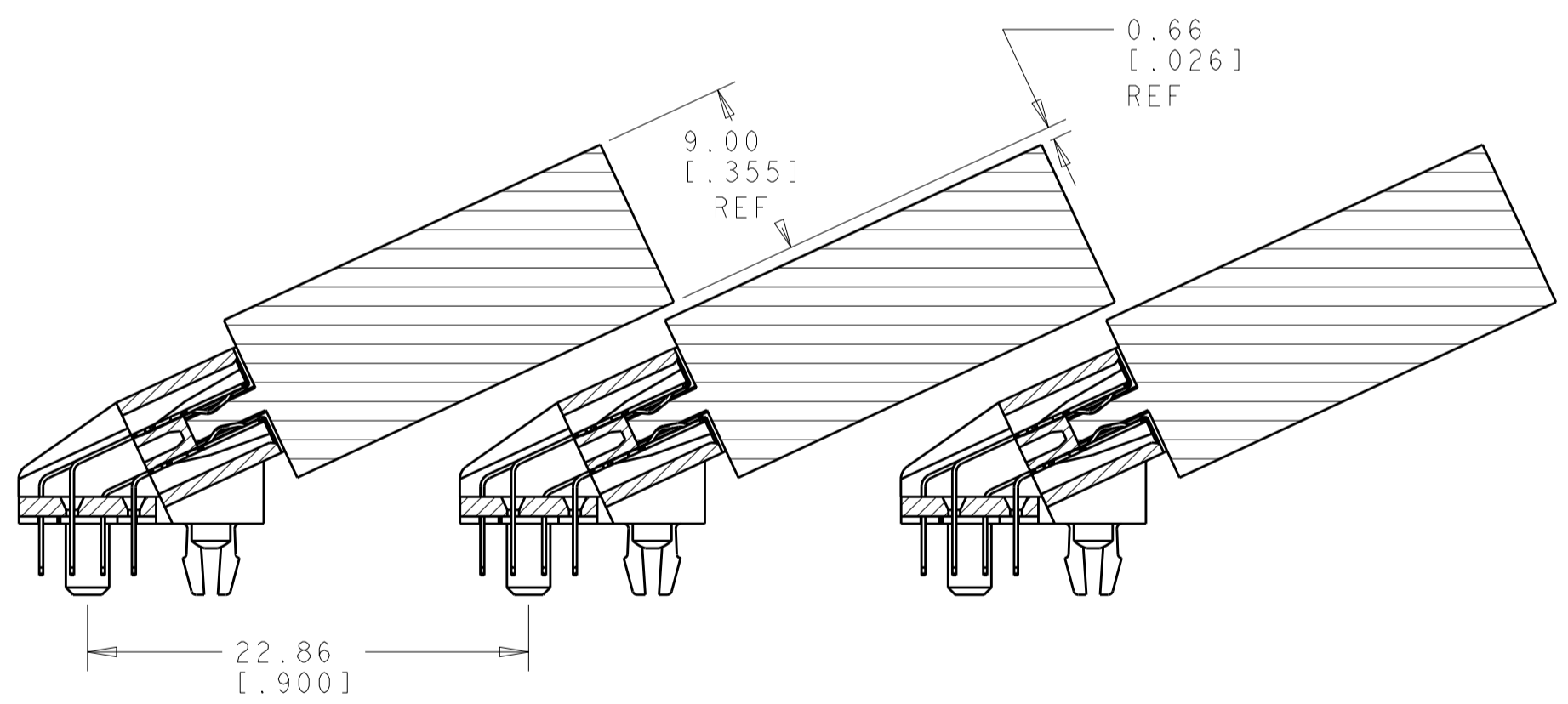
MINIMUM REPAIRABLE SOCKET TO SOCKET SPACING

WITH THE MODULES REMOVED, SOCKETS ON 15.88 [0.625] OR GREATER SPACING CAN BE INDIVIDUALLY UNSOLDERED FROM THE BOARD AND REMOVED IF NECESSARY.



MINIMUM SOCKET TO SOCKET SPACING

WITH A 4.00 [0.158] WIDE MODULE BOARD, A SOCKET TO SOCKET SPACING OF 13.34 [0.525] WILL LEAVE APPROXIMATELY 0.65 [0.026] OF CLEARANCE BETWEEN THE MODULE AND THE NEXT SOCKET BODY. THIS SPACING MAY OR MAY NOT BE SUITABLE DEPENDING ON YOUR MINIMUM GAP REQUIREMENTS.



POSSIBLE SOCKET TO SOCKET SPACING FOR 9MM SOCKET

WITH A 9.00 [0.355] WIDE MODULE BOARD, A SOCKET TO SOCKET SPACING OF 22.86 [0.900] WILL LEAVE APPROXIMATELY 0.66 [0.026] CLEARANCE BETWEEN THE ADJACENT MODULES. THIS SPACING MAY OR MAY NOT BE SUITABLE DEPENDING ON YOUR MINIMUM GAP REQUIREMENTS.

THIS DRAWING IS A CONTROLLED DOCUMENT FOR TYCO ELECTRONICS CORPORATION. IT IS SUBJECT TO CHANGE AND THE CONTROLLING ENGINEERING ORGANIZATION SHOULD BE CONTACTED FOR THE LATEST REVISION.		DWN M. YEOMANS 13JAN05	Tyco Electronics Corporation	
		CHK M. YEOMANS 13JAN05	SH/CN GuiPingRD 668#	
DIMENSIONS: mm [INCHES]		APVD S. BURKHOLDER 13JAN05	NAME LOW PROFILE (25 DEG) DIMM 2P SOCKET CENTER METAL BOARD LOCK 168 POSITION	
TOLERANCES UNLESS OTHERWISE SPECIFIED:		PRODUCT SPEC	SIZE CAGE CODE DRAWING NO RESTRICTED TO	
0 PLC ±		APPLICATION SPEC	A20779C-5390195	
1 PLC ±		WEIGHT	SCALE SHEET 3 OF 3 REV C	
2 PLC ±0.13[0.005]		CUSTOMER DRAWING		
3 PLC ±				
4 PLC ±				
ANGLES ±				
FINISH				