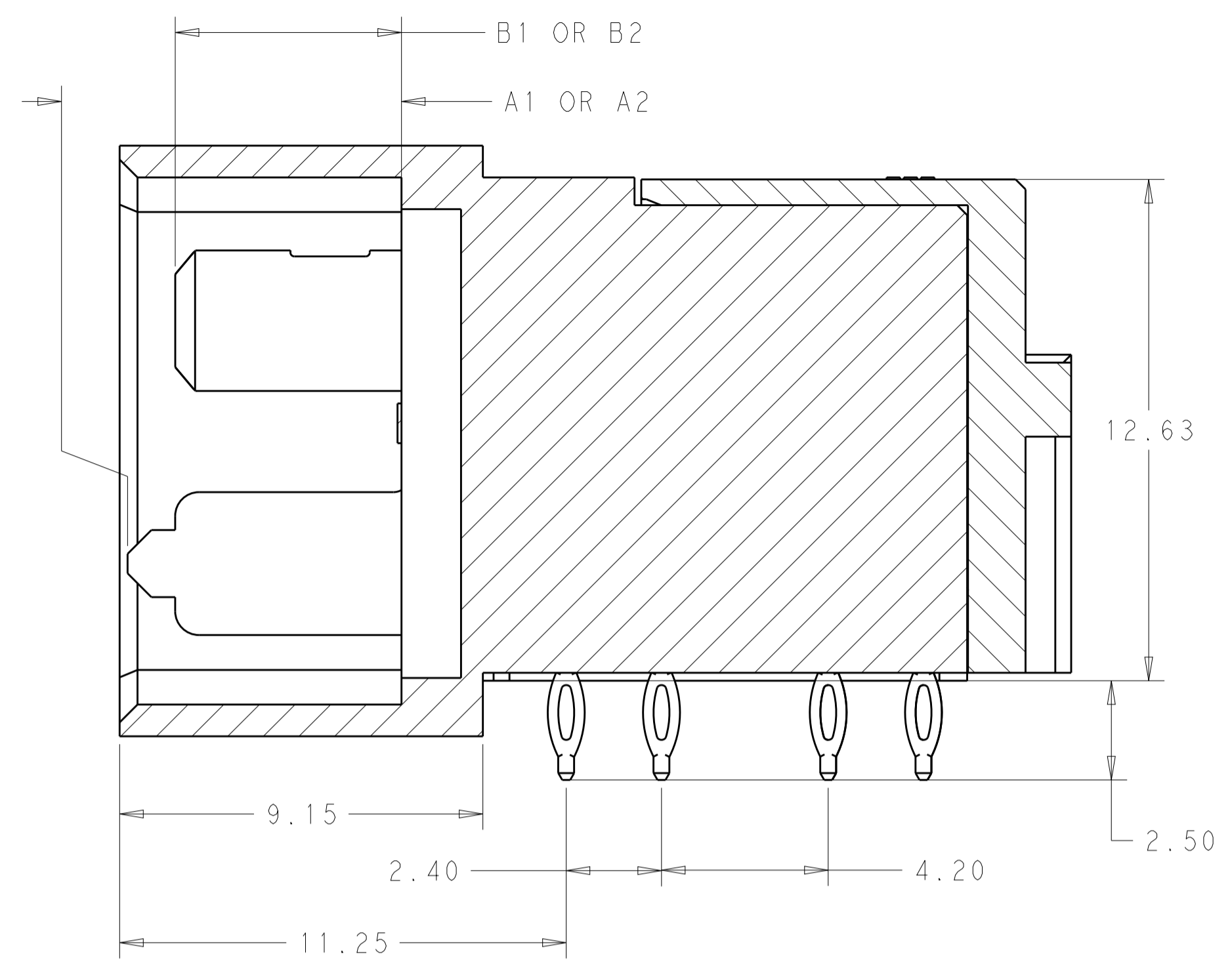
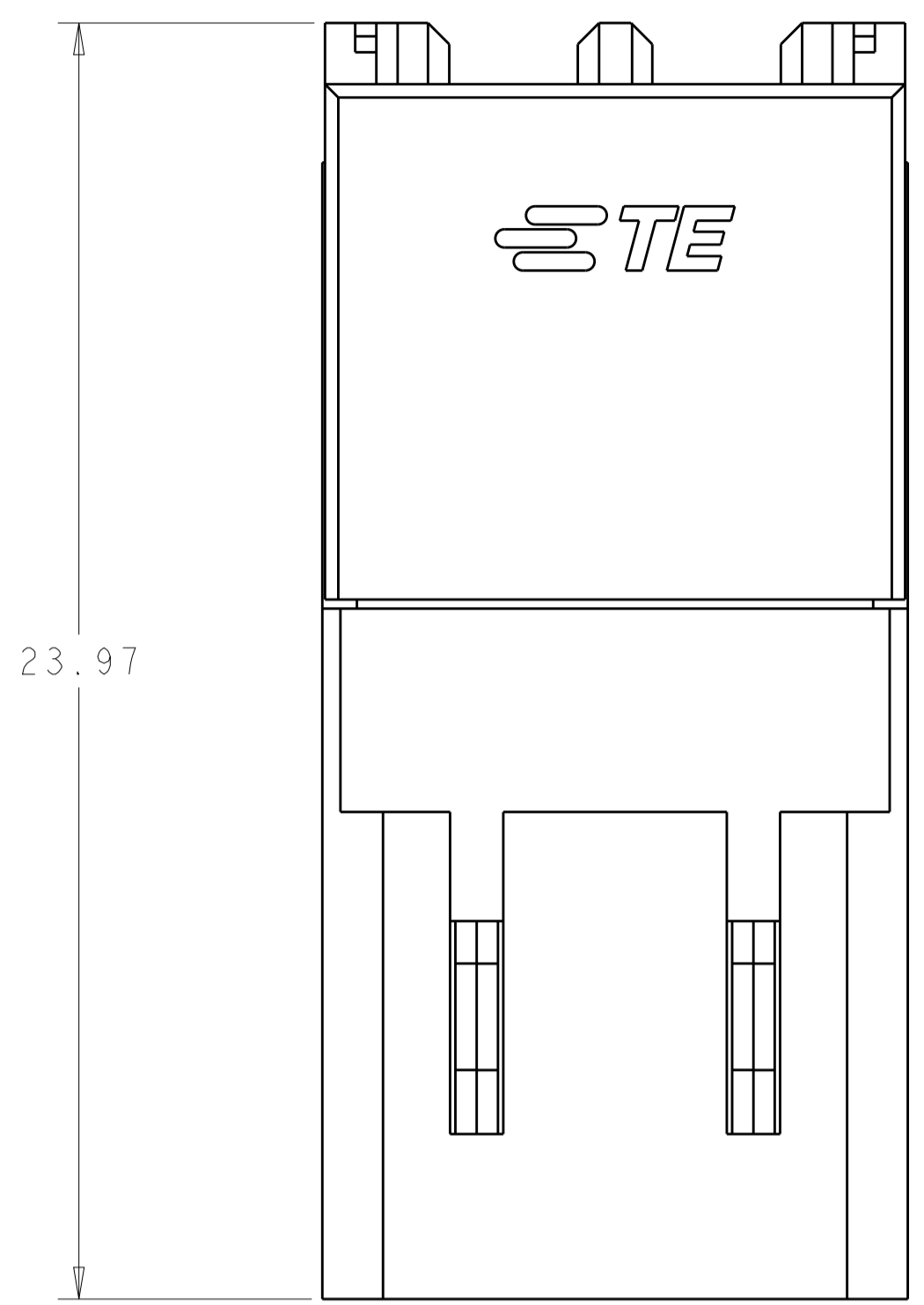
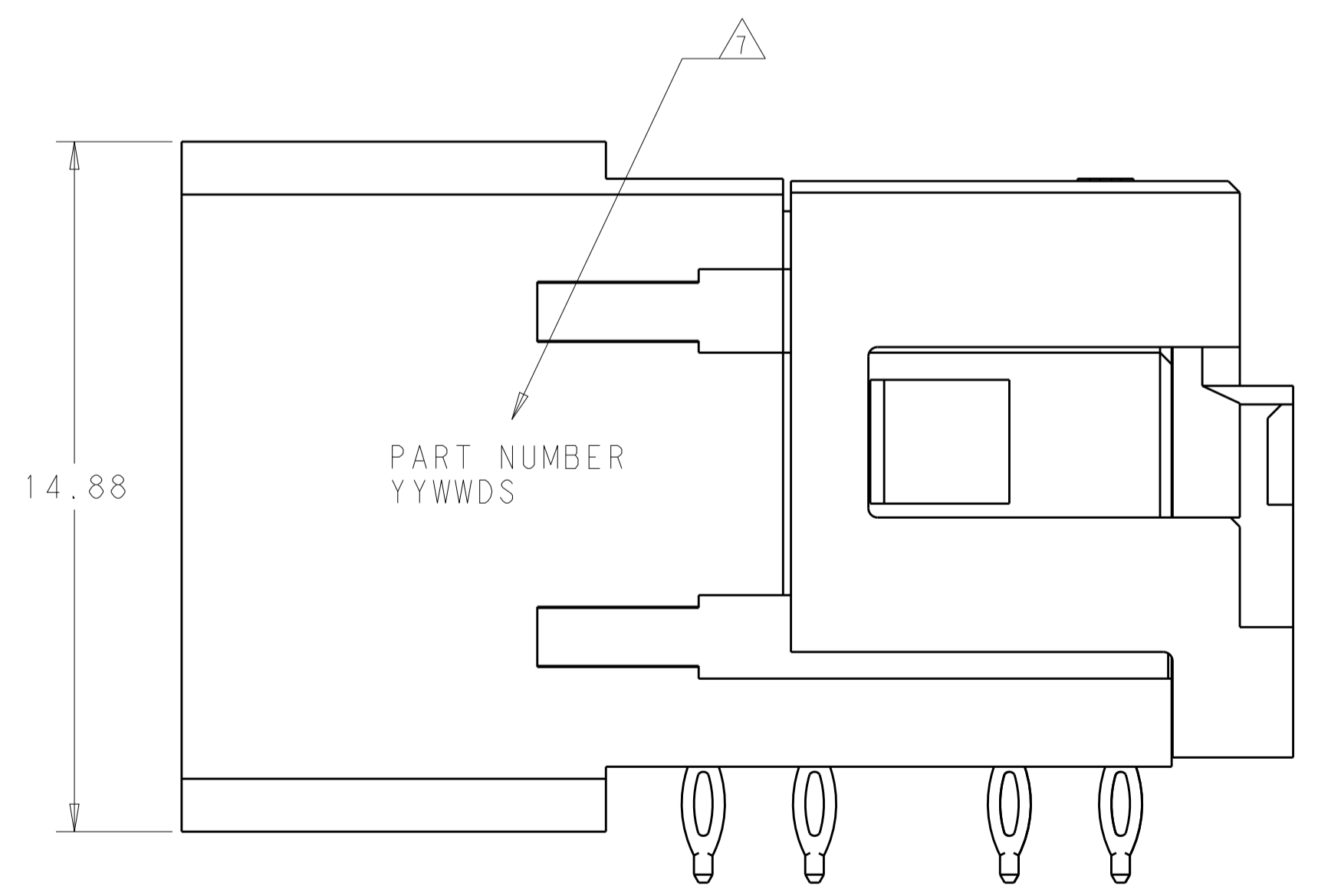
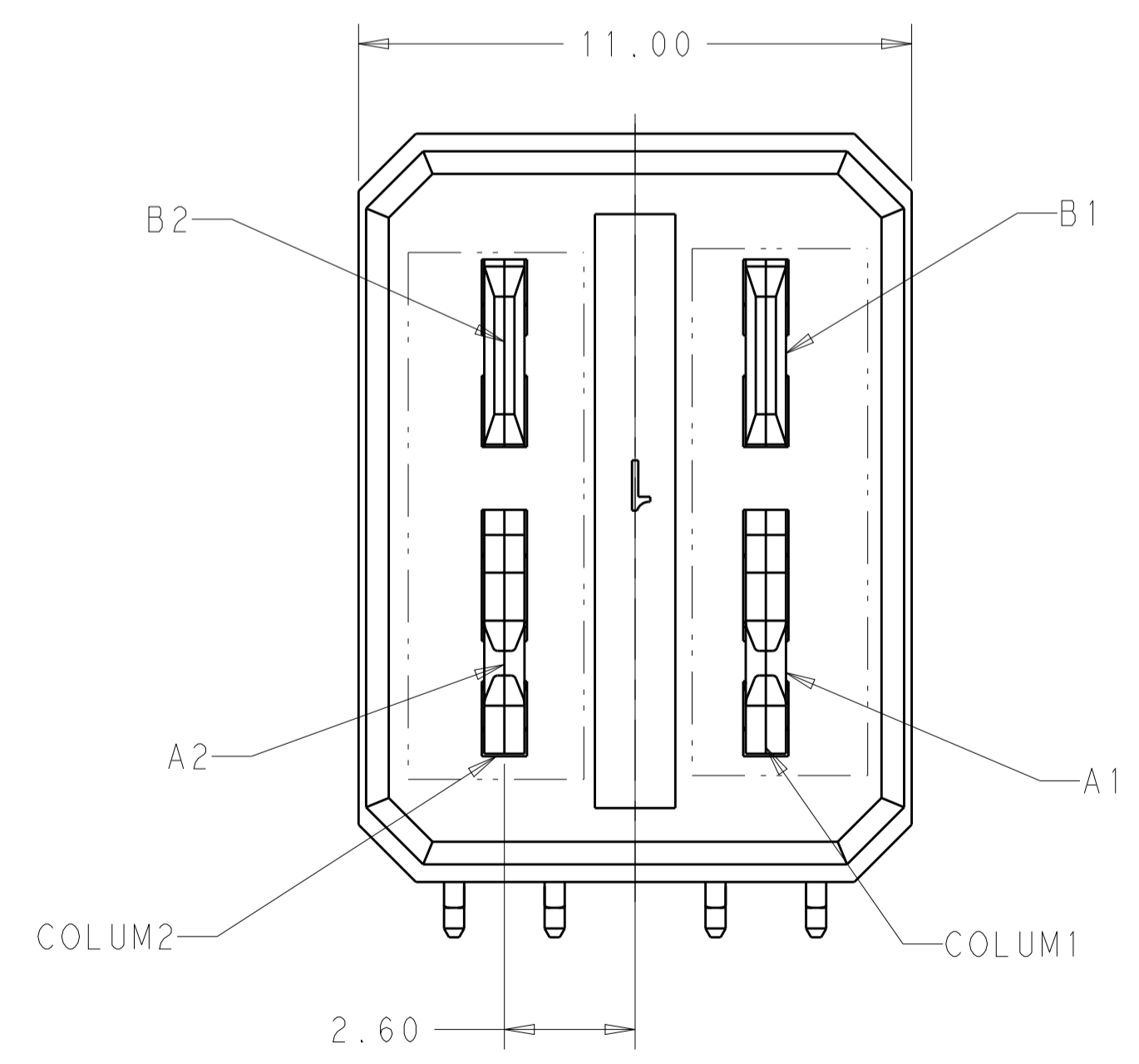


REVISONS		DATE	OWN	APVD
A3	REV PER ECR-12-013085	24JULY2012	LW	AC
B	REV PER ECR-13-017562	14NOV2013	HS	FY



SECTION Z-Z

- NOTES:
- MATERIALS:  
 HOUSING: HIGH TEMP. THERMOPLASTIC GLASS/MINERAL FILLED UL94V-0  
 TERMINAL: COPPER ALLOY
  - FINISH:  
 TIN OPTION- GOLD AT CONTACT AREA AND NICKEL UNDERPLATED OVER ALL TIN AT TAIL AREA  
 TIN-LEAD OPTION- GOLD AT CONTACT AREA AND NICKEL UNDERPLATED OVER ALL TIN-LEAD AT TAIL AREA
  - PCB HOLE SIZE:  
 -DRILLED HOLE SIZE 0.838MM REF  
 -COPPER UNDERPLATE 0.03 TO 0.07MM  
 -TIN/TIN-LEAD SURFACE PLATED FINISHED HOLE SIZE 0.725±0.075MM OR ORGANIC SURFACE PROTECTANT (OSP) PLATED FINISHED HOLE SIZE 0.75±0.05MM
  - CONNECTOR WERE PACKED BY TRAY  
 5. REFER TO TE'S PRODUCT SPECIFICATION: 108-2473 FOR TORQUE FORCE AND RETENTION FORCE
  - MATED WITH 2169806-\*
  - PART NUMBER AND DATE CODE AT ASSEMBLY AREA AS APPROXIMATE SHOWN. ALSO CAN BE OPPOSITE SIDE
  - THERE ARE TWO TYPES OPTION ONE TYPE WITH DOVETAIL ANOTHER WITHOUT DOVETAIL
  - COMPONENT PLACEMENT ZONE



TRAY	TIN PLATING	NO DOVE TAIL	6.9	6.9	6.9	6.9	2169797-1
			5.7	5.7	5.7	5.7	2169797-2
			6.9	6.9	5.7	5.7	2169797-3
			5.7	5.7	6.9	6.9	2169797-4
			5.7	6.9	5.7	5.7	2169797-5
		WITH DOVE TAIL	6.9	6.9	6.9	6.9	2169797-6
			5.7	5.7	5.7	5.7	2169797-7
			6.9	6.9	5.7	5.7	2169797-8
			5.7	5.7	6.9	6.9	2169797-9
			6.0	6.0	6.0	6.0	5-2169797-1
			5.7	5.7	5.7	5.7	5-2169797-2
		NO DOVE TAIL	6.9	6.9	5.7	5.7	5-2169797-3
			5.7	5.7	6.9	6.9	5-2169797-4
	TIN-LEAD PLATING		5.7	6.9	5.7	5.7	5-2169797-5
			6.9	6.9	6.9	6.9	5-2169797-6
		WITH DOVE TAIL	5.7	5.7	5.7	5.7	5-2169797-7
			6.9	6.9	5.7	5.7	5-2169797-8
			5.7	5.7	6.9	6.9	5-2169797-9
PACKAGING	PLATING OPTION	TYP 8	B1	B2	A2	A1	PART NUMBER

THIS DRAWING IS A CONTROLLED DOCUMENT. OWN: LERRY WANG 05MAY2011  
 CHK: SUNY ZHAO 05MAY2011  
 APVD: SUNY ZHAO 05MAY2011

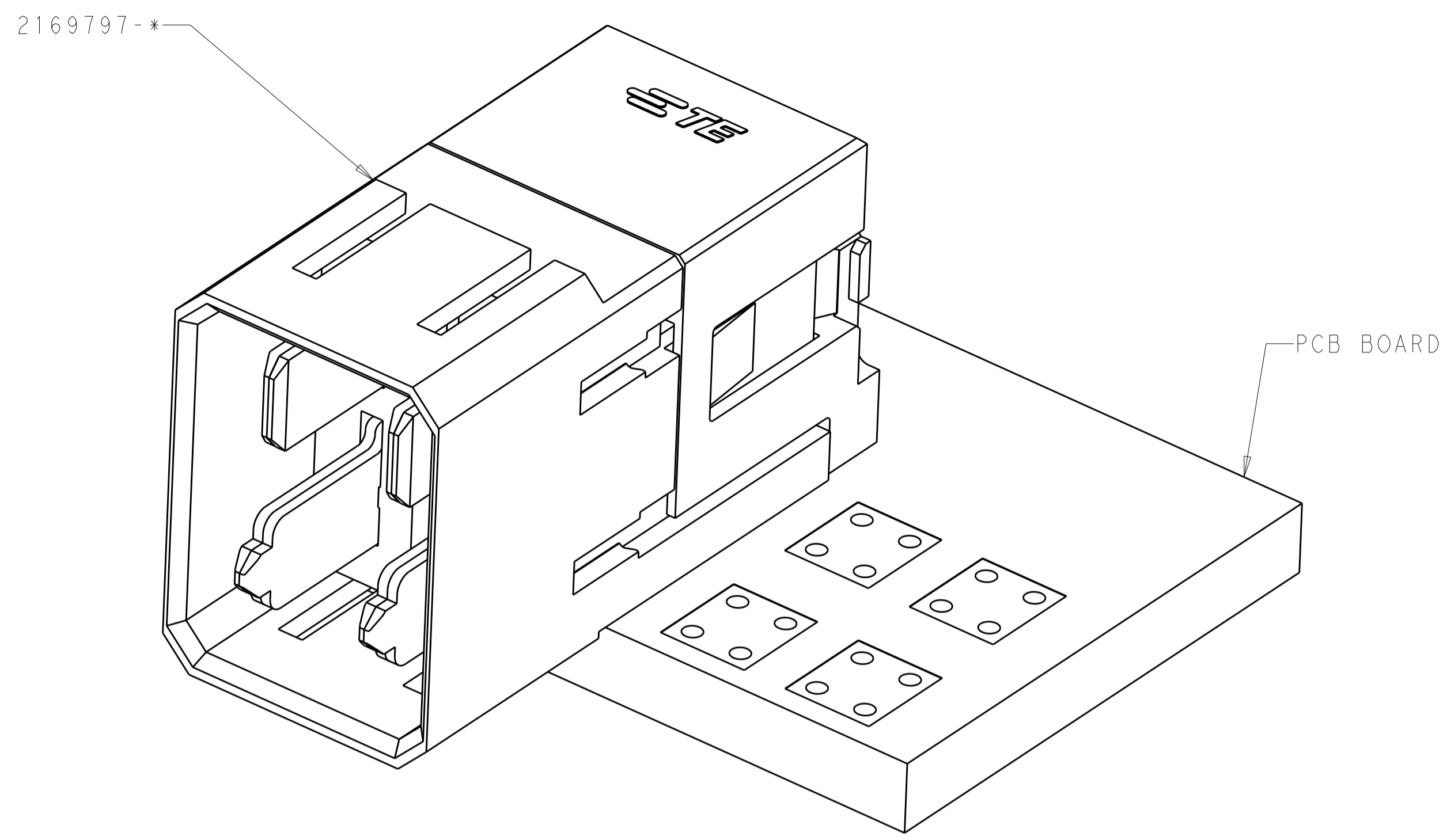
DIMENSIONS: mm  
 TOLERANCES UNLESS OTHERWISE SPECIFIED:  
 0 PLC ±.1  
 1 PLC ±.15  
 2 PLC ±.25  
 3 PLC ±.3  
 4 PLC ±.4  
 ANGLES ±.5

MATERIAL: FINISH: 2

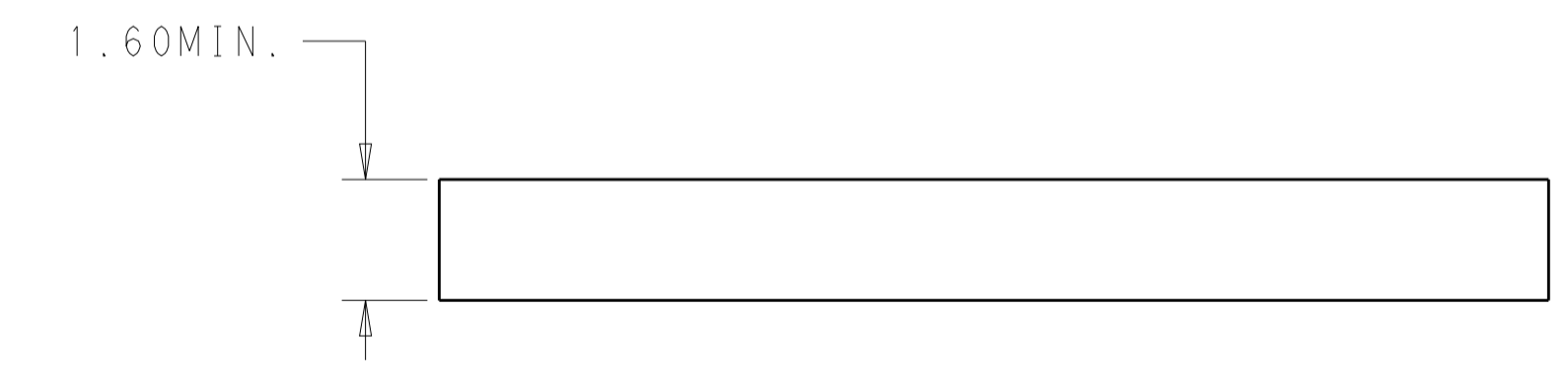
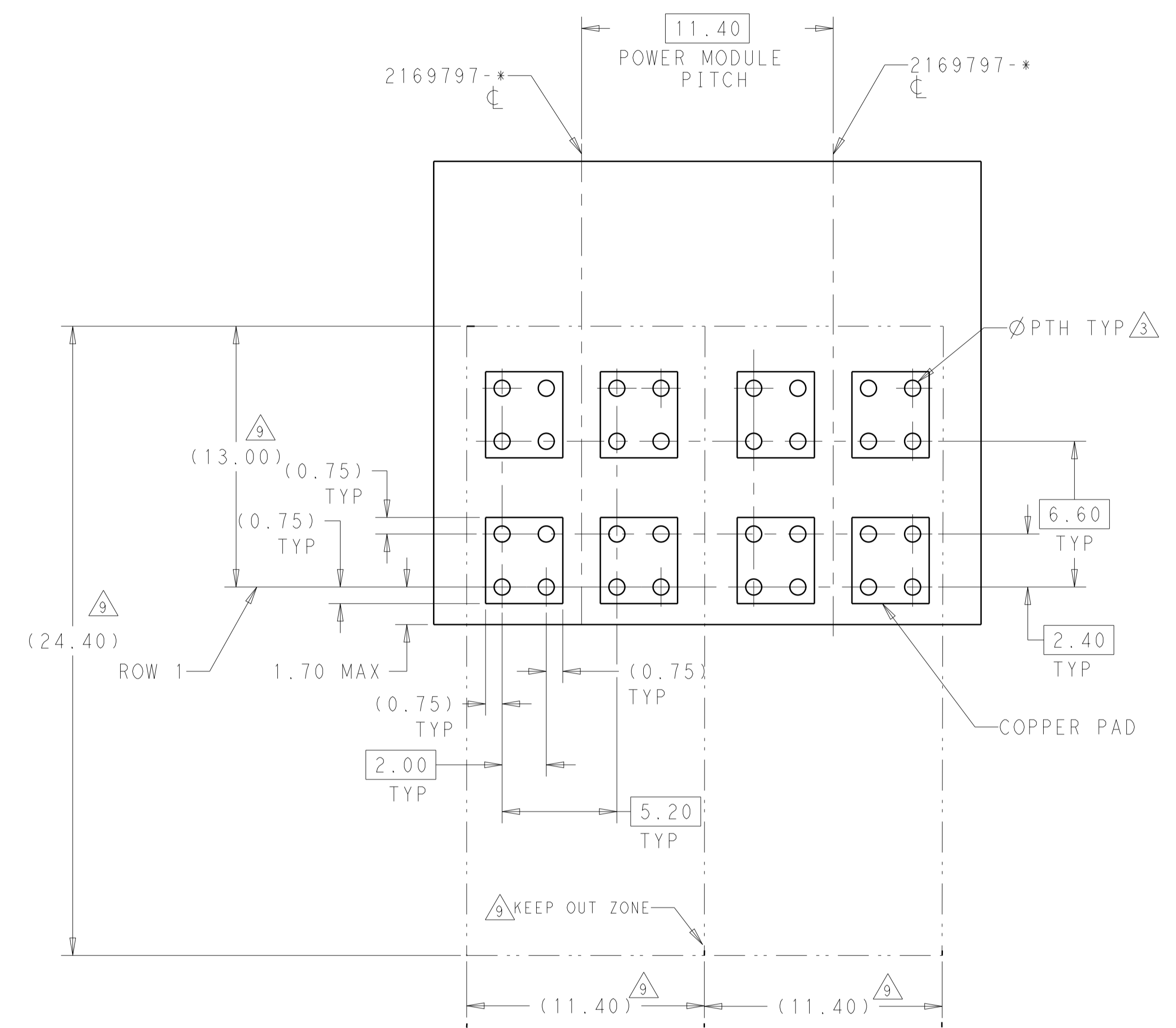
TE Connectivity  
 ASSEMBLY  
 IMPACT POWER 3PAIR R/A HEADER  
 PRESS-FIT

SIZE: A1 CAGE CODE: 100779 DRAWING NO: 108-2473 APPLICATION SPEC: 114-32028 WEIGHT: CUSTOMER DRAWING  
 SCALE: 8:1 SHEET 1 OF 2 REV B

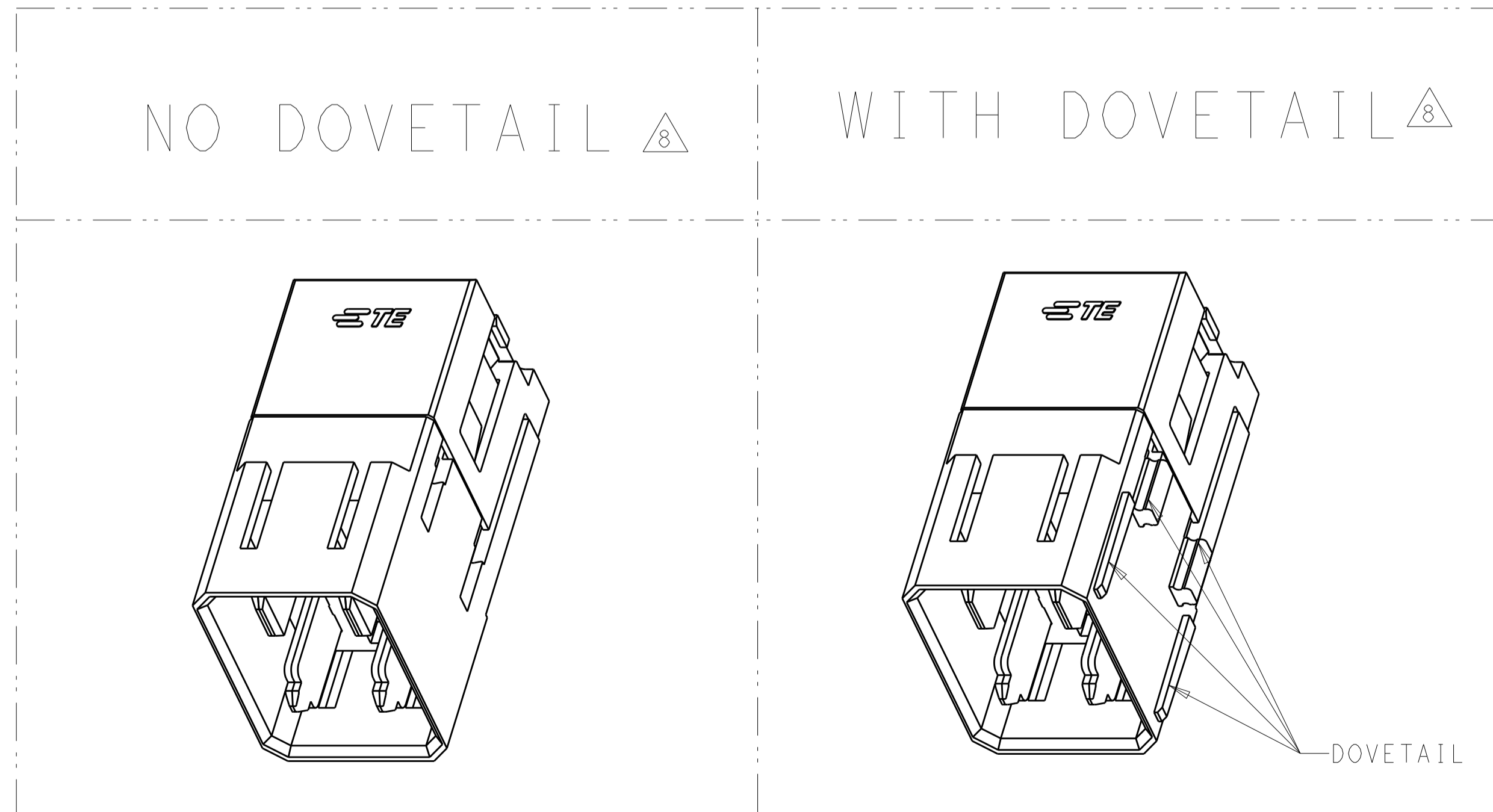
LOC	DIST	REV	DATE	BY	APPD
-	-	1	-	-	-
REVISIONS					
P. LTH		DESCRIPTION	DATE	BY	APPD
-		SEE SHEET 1	-	-	-



CONNECTOR MATED WITH PCB



PCB LAYOUT FOR 3PAIR R/A HEADER POWER MODULE (COMPONENT SIDE SHOWN)



THIS DRAWING IS A CONTROLLED DOCUMENT.		OWN: LERRY_WANG 05MAY2011	TE Connectivity	
DIMENSIONS:		CHK: SUNY_ZHAO 05MAY2011		
mm	TOLERANCES UNLESS OTHERWISE SPECIFIED:	APVD: SUNY_ZHAO 05MAY2011	NAME: ASSEMBLY	
0 PLC	±.2	PRODUCT SPEC	IMPACT POWER 3PAIR R/A HEADER	
1 PLC	±.25	APPLICATION SPEC	PRESS-FIT	
2 PLC	±.3	SIZE: 114-32028	CAGE CODE: A100779	DRAWING NO: C=2169797
3 PLC	±.4	WEIGHT: -	CUSTOMER DRAWING	
4 PLC	±.5	SCALE: 8:1	SHEET: 2	OF: 2
ANGLES	±.3	RESTRICTED TO:	REV: B	
MATERIAL:	FINISH:			