

H G F E D C B A

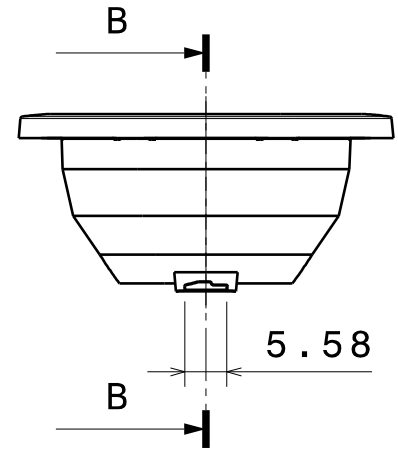
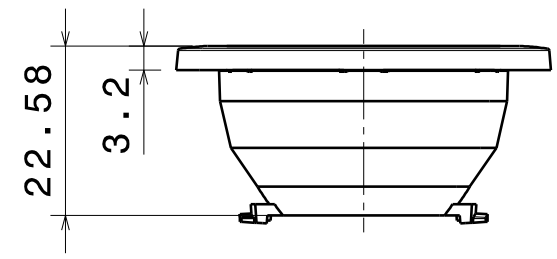
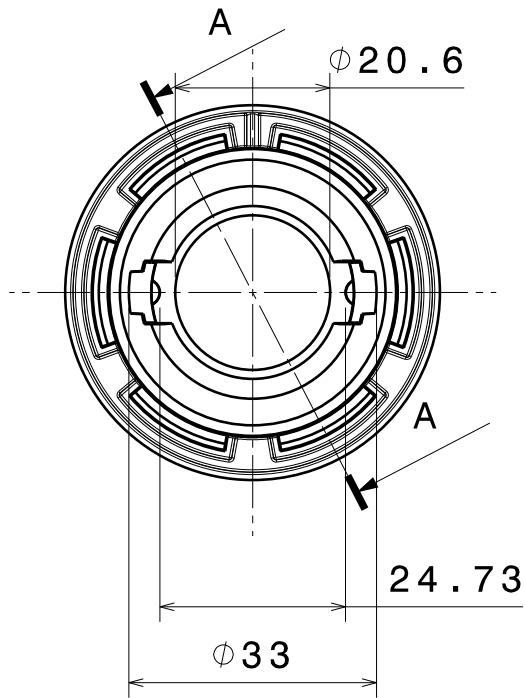
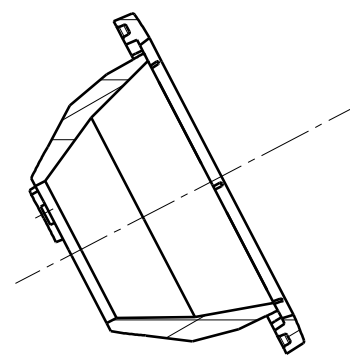
4

3

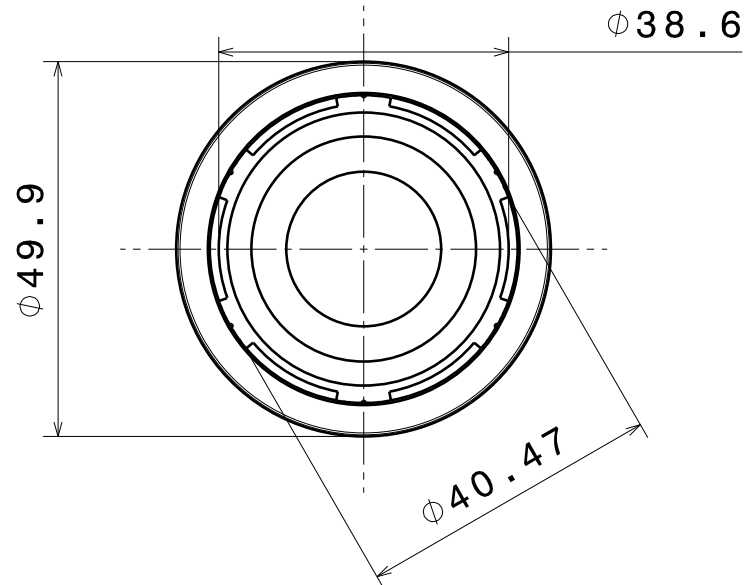
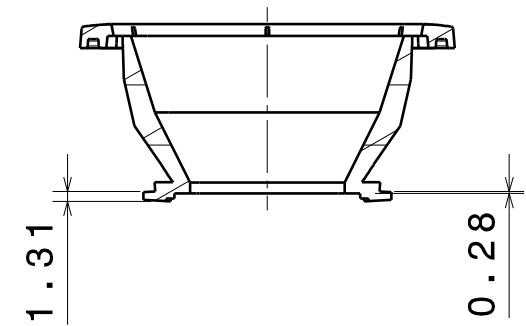
2

1

SECTION A-A



SECTION B-B

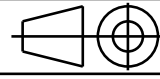


INDEX	PART NO	DESCRIPTION	MATERIAL	COLOUR
1	F15560	MIRELLA-G2-W	PC	Mirror

Tolerances if not otherwise shown  
 According to DIN ISO 2768-1  
 Linear measures:  
 Up to 30mm class M, otherwise class N.  
 According to DIN ISO 2768-2  
 Form and position: class K  
 Control for SPC marked dimensions.

**LEDiL** Ledil Oy  
 Salorankatu 10  
 FIN 24240 SALO  
 Finland

FIRST ANGLE PROJECTION:



DRAWING TITLE  
**F15560\_MIRELLA-G2-W**

This drawing is the property  
 of LEDiL Oy. It may not be  
 reproduced, copied or  
 communicated without a written  
 agreement with LEDiL Oy.

SIZE	PART NUMBER
<b>A3</b>	<b>F15560</b>

SCALE	1:1	WEIGHT	4.7 g	SHEET	1/1
-------	-----	--------	-------	-------	-----

H G B A

4

3

2

1