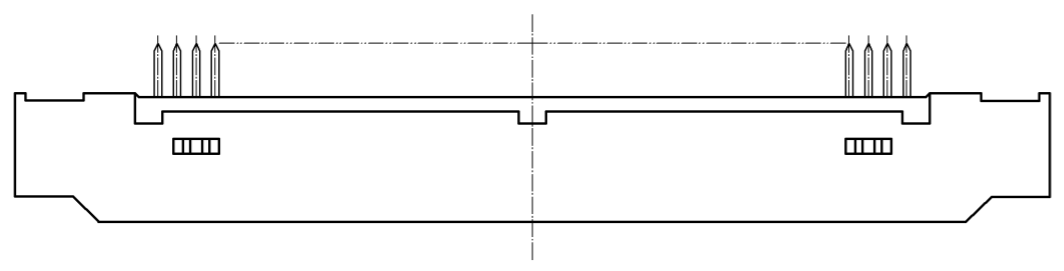
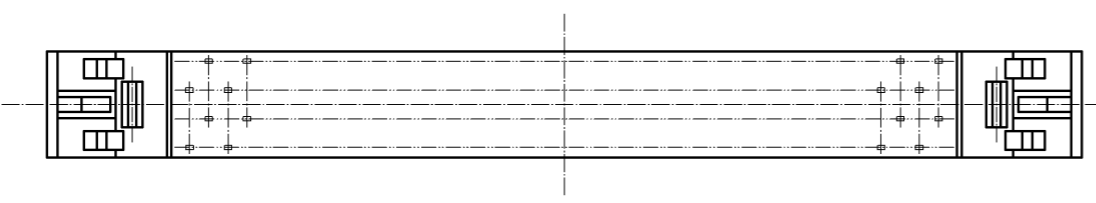
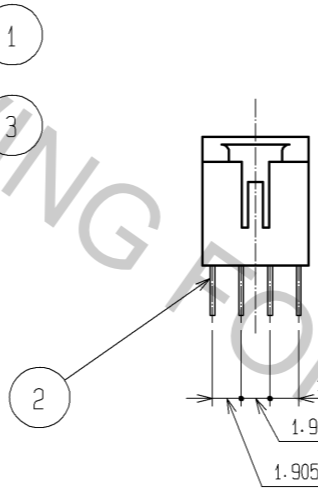
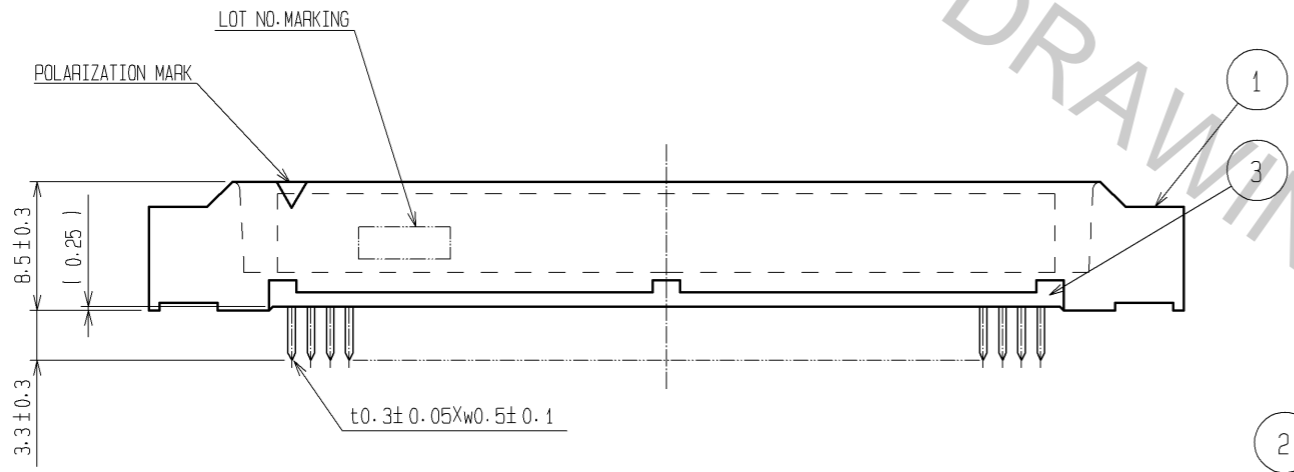
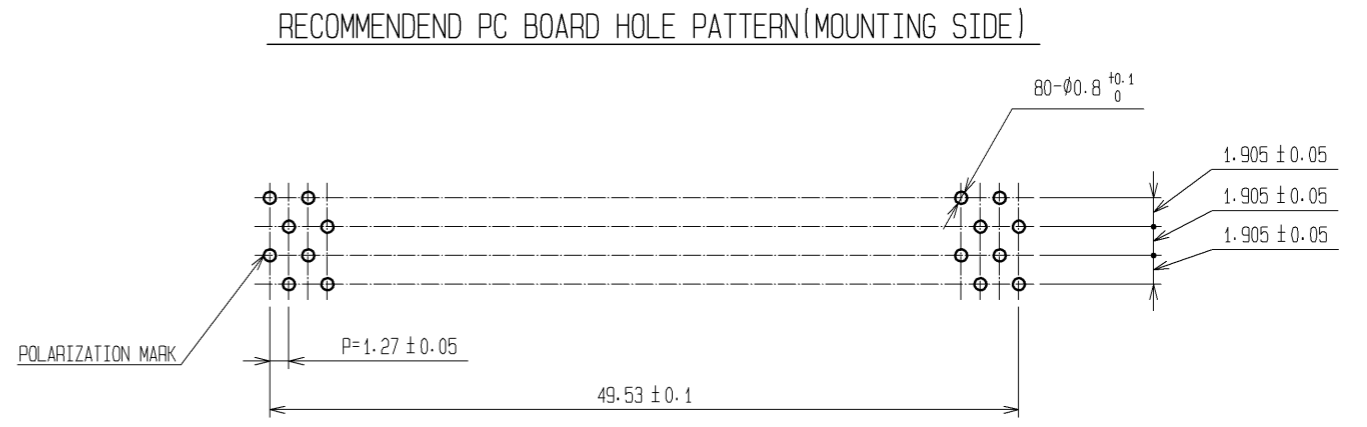
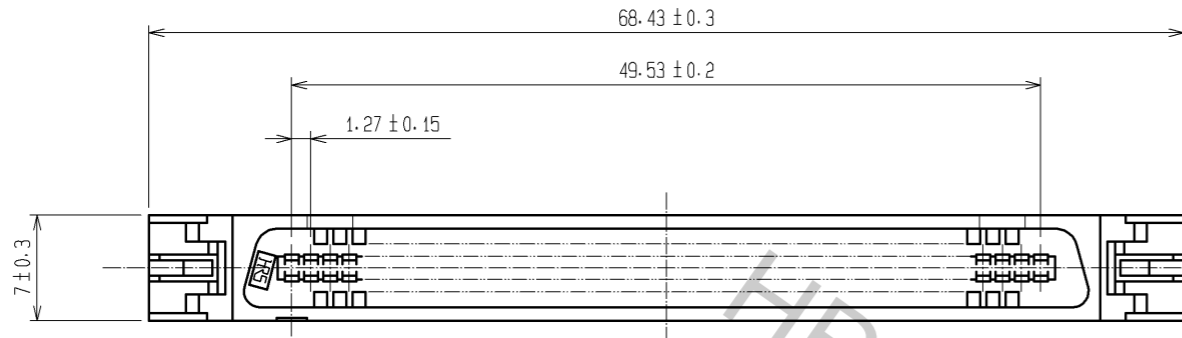


Apr.1.2017 Copyright 2017 HIROSE ELECTRIC CO., LTD. All Rights Reserved.



NOTE THE DIMENSIONS IN PARENTHESES ARE FOR REFERENCE.

1.3	POLYAMIDE	BLACK UL94V-0	2	BLASS	CONTACT AREA:GOLD FLASH DIP AREA:TIN-PLATING 2μm min. UNDER PLATING:NICKEL 1μm min.		
NO.	MATERIAL	FINISH . REMARKS	NO.	MATERIAL	FINISH . REMARKS		
UNITS mm		SCALE 2 : 1	COUNT △	DESCRIPTION OF REVISIONS	DESIGNED	CHECKED	DATE
<b>HRS</b> HIROSE ELECTRIC CO., LTD.		APPROVED : HS. OKAWA	07.12.27	DRAWING NO. EDC3-150650-21			
		CHECED : HS. OZAWA	07.12.27	PART NO. FX2BA-80PA-1.27DSA(71)			
		DESIGNED : SY. KAMIGA	07.12.26	CODE NO. CL572-0927-2-71			
		DRAWN : HK. SUNADORI	07.12.26			△ 1/1	