

4

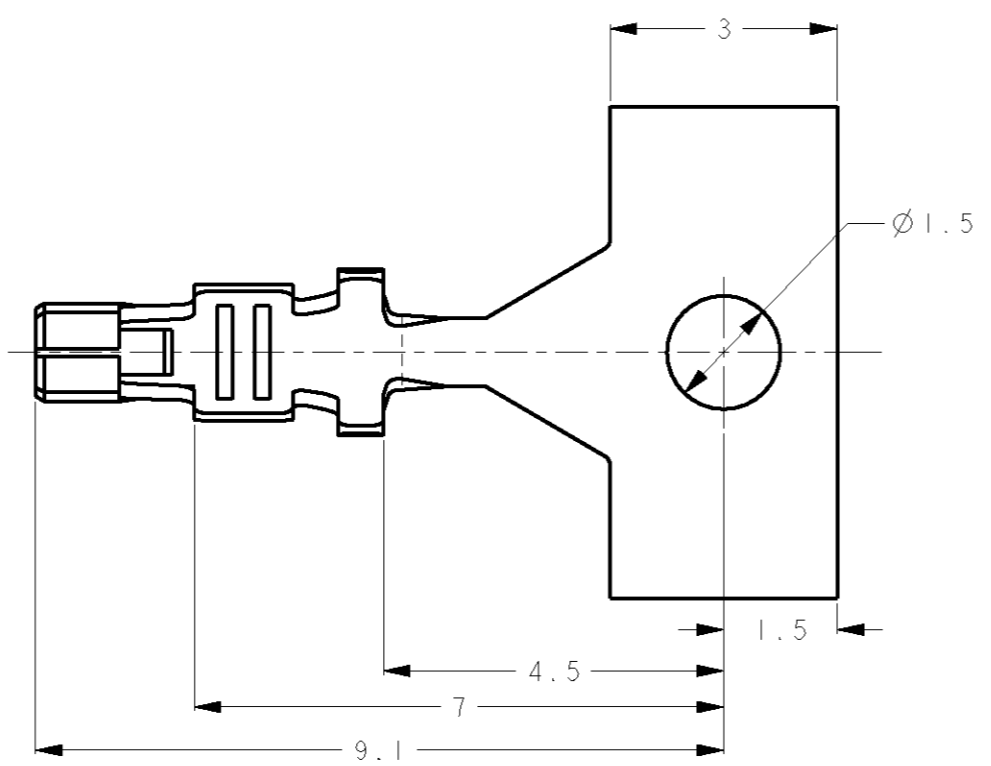
3

2

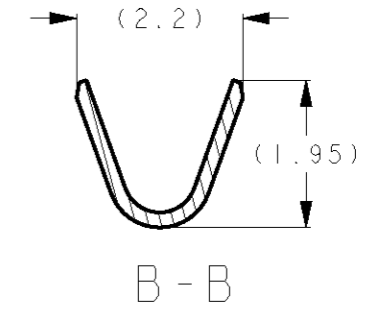
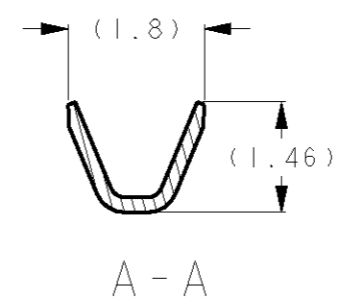
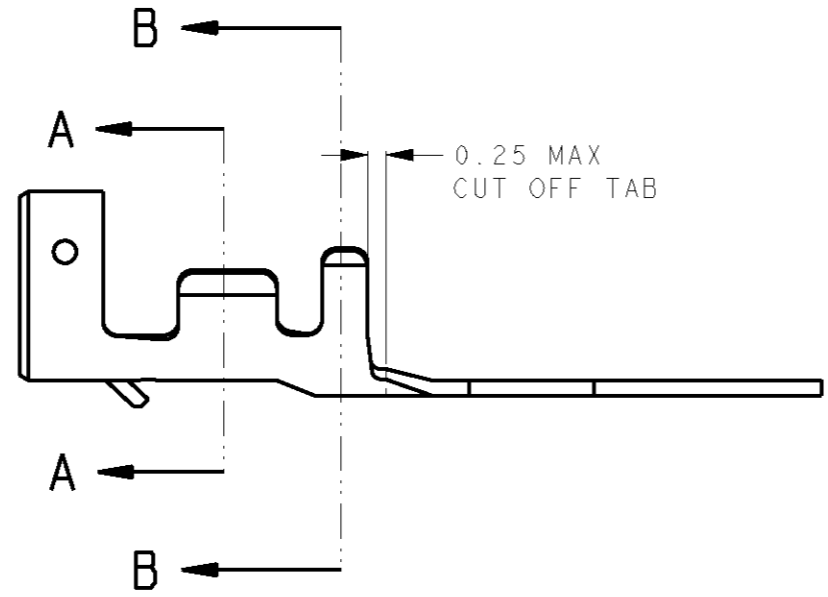
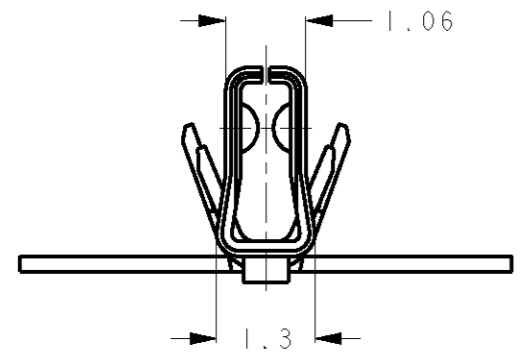
1

THIS DRAWING IS UNPUBLISHED. RELEASED FOR PUBLICATION 2011
 © COPYRIGHT 2011 BY TE Connectivity ALL RIGHTS RESERVED.

LOC	DIST	REVISIONS			
P	LTR	DESCRIPTION	DATE	DWN	APVD
-	-	A	RELEASED	11JUL2011	T.S N.Y



△ MATERIAL: COPPER ALLOY
 . FINISH: OVER NICKEL PLATING 0.000127mm MINIMUM
 CONTACT AREA 0.00002mm MINIMUM GOLD PLATING
 3. APPLICABLE WIRE: AWG#26 TO #22 (INS DIA 1.0mm TO 1.2mm)



2174065-4
 PART NUMBER

THIS DRAWING IS A CONTROLLED DOCUMENT.		DWN T. SAMI 11JUL2011	TE Connectivity	
DIMENSIONS: mm		CHK N. YAMASAKI 11JUL2011		
TOLERANCES UNLESS OTHERWISE SPECIFIED:		APVD N. YAMASAKI 11JUL2011	NAME REC. CONTACT MICRO MOTOR PLUS	
0 PLC ± 1 PLC ± ±0.3 2 PLC ± ±0.3 3 PLC ± ±3° 4 PLC ± ANGLES ±		PRODUCT SPEC 108-5864	RESTRICTED TO	
MATERIAL △ 1		APPLICATION SPEC 114-5335	SIZE A300779	CAGE CODE C=2174065
FINISH △ 2		WEIGHT 0.069g/ea	DRAWING NO 2174065	REV A
CUSTOMER DRAWING		SCALE 10:1	SHEET 1	OF 1