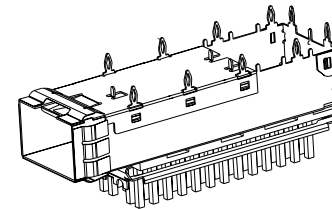
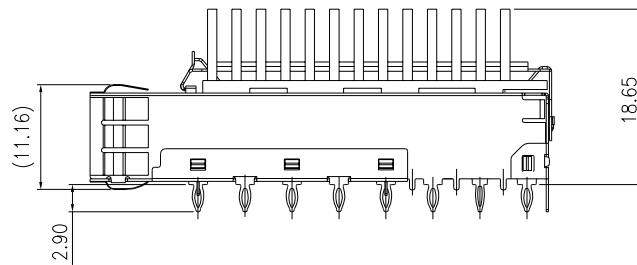
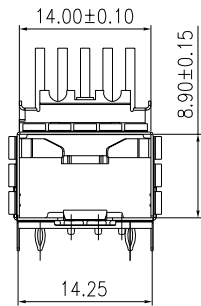
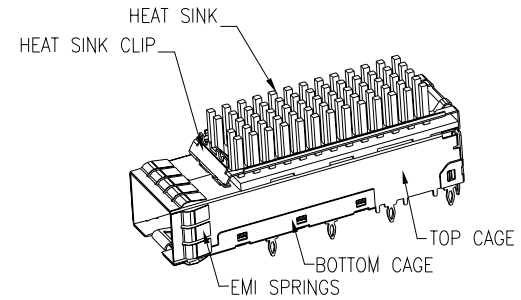
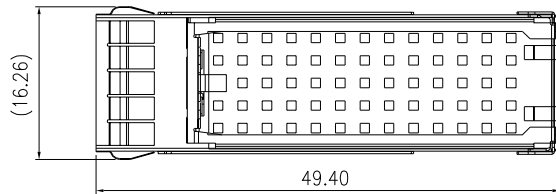


Product Number	Packaging
10126908-101LF	Tray



NOTES:

1, DESCRIPTION	Q'ty	MATERIAL	PLATING
TOP CAGE	1PCS	NICKEL SILVER ALLOY T=0.25	NO PLATING
BOTTOM CAGE	1PCS	NICKEL SILVER ALLOY T=0.25	NO PLATING
EMI SPRINGS	1PCS	COPPER ALLOY T=0.08	Ni PLATED
HEAT SINK	1PCS	ALUMINUM ALLOY	Ni PLATED
HEAT SINK CLIP	1PCS	STAINLESS STEEL T=0.25mm	NO PLATING

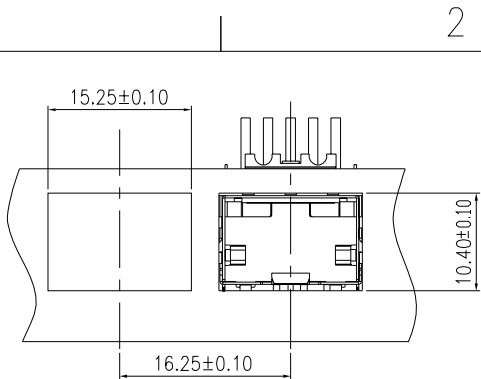
- 2, PRODUCT SPECIFICATION: GS-12-1165
- 3, APPLICATION SPECIFICATION: GS-20-0384
- 4, PACKAGE PER GS-14-2344 AND GS-14-920

spec ref	RELEASE	dr	Art Lin	2014-01-13	projection	size	scale	
tolerance std	TOLERANCES UNLESS OTHERWISE SPECIFIED	eng	Zhen Luo	2014-01-13		MM	A4	
ISO406		chr	Collins Lu	2014-01-14			ecn no	1:1
ISO1101		appr	JEFFREY QIN	2014-01-14	product family	SFP+	rel level	Released
surface	linear	0.X	±0.25		title	dwg no	10126908	rev
ISO1302								
		angular	0°	±0.5°	www.fci.com	cat. no.	-	Product-Customer Drw

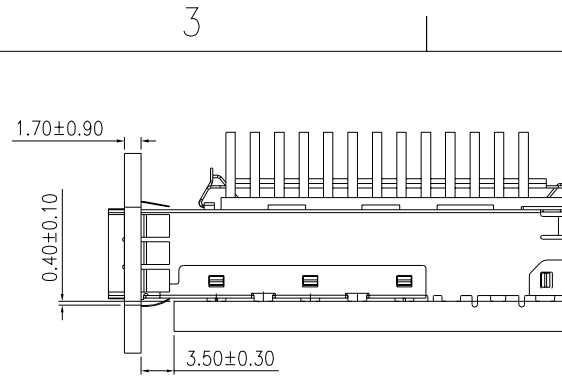
Proj/E File - REV C - 2009-06-09



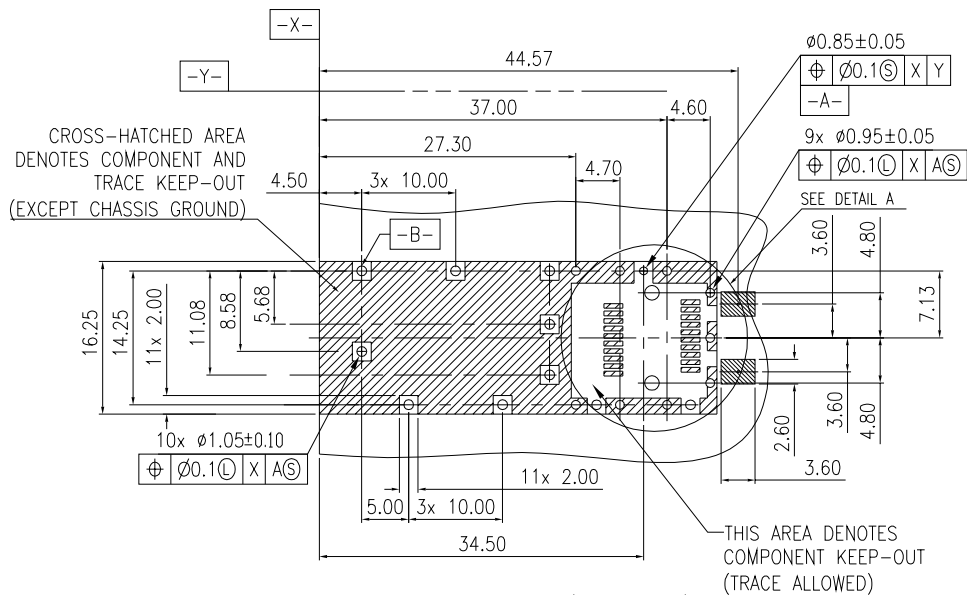
Copyright FCI.



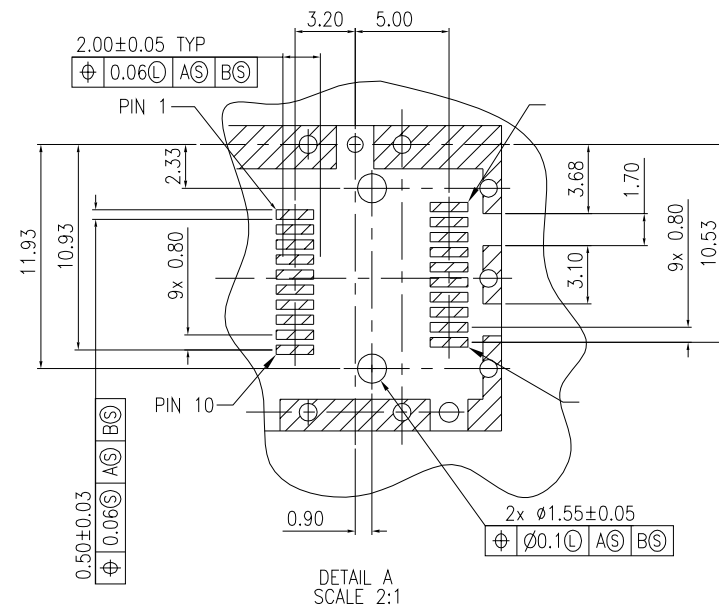
RECOMMENDED BEZEL CUT-OUT SINGLE SIDED APPLICATIONS



MOUNTED ON PC BOARD SHOWN THRU RECOMMENDED BEZEL



PCB LAYOUT THICKNESS=3.0mm (TOP VIEW)



DETAIL A SCALE 2:1



Copyright FCI.

spec ref	RELEASE	dr	Art Lin	2014-01-13	projection	size	scale
tolerance std	TOLERANCES UNLESS OTHERWISE SPECIFIED	eng	Zhen Luo	2014-01-13		A4	1:1
ISO406		chr	Collins Lu	2014-01-14		MM	ecn no
ISO1101		appr	JEFFREY QIN	2014-01-14	product family	SFP+	rel level
surface			title		dwg no	10126908	rev
ISO1302			SFP+ 1X1 CAGE ASSEMBLY				
	linear	0.X	±0.25	www.fci.com	cat. no.	-	Product-Customer Drw
		0.XX	±0.20				
		0.XXX	±0.15				
	angular	0°	±0.5°				sheet 2 of 2

Pro/E File - REV C - 2009-06-09