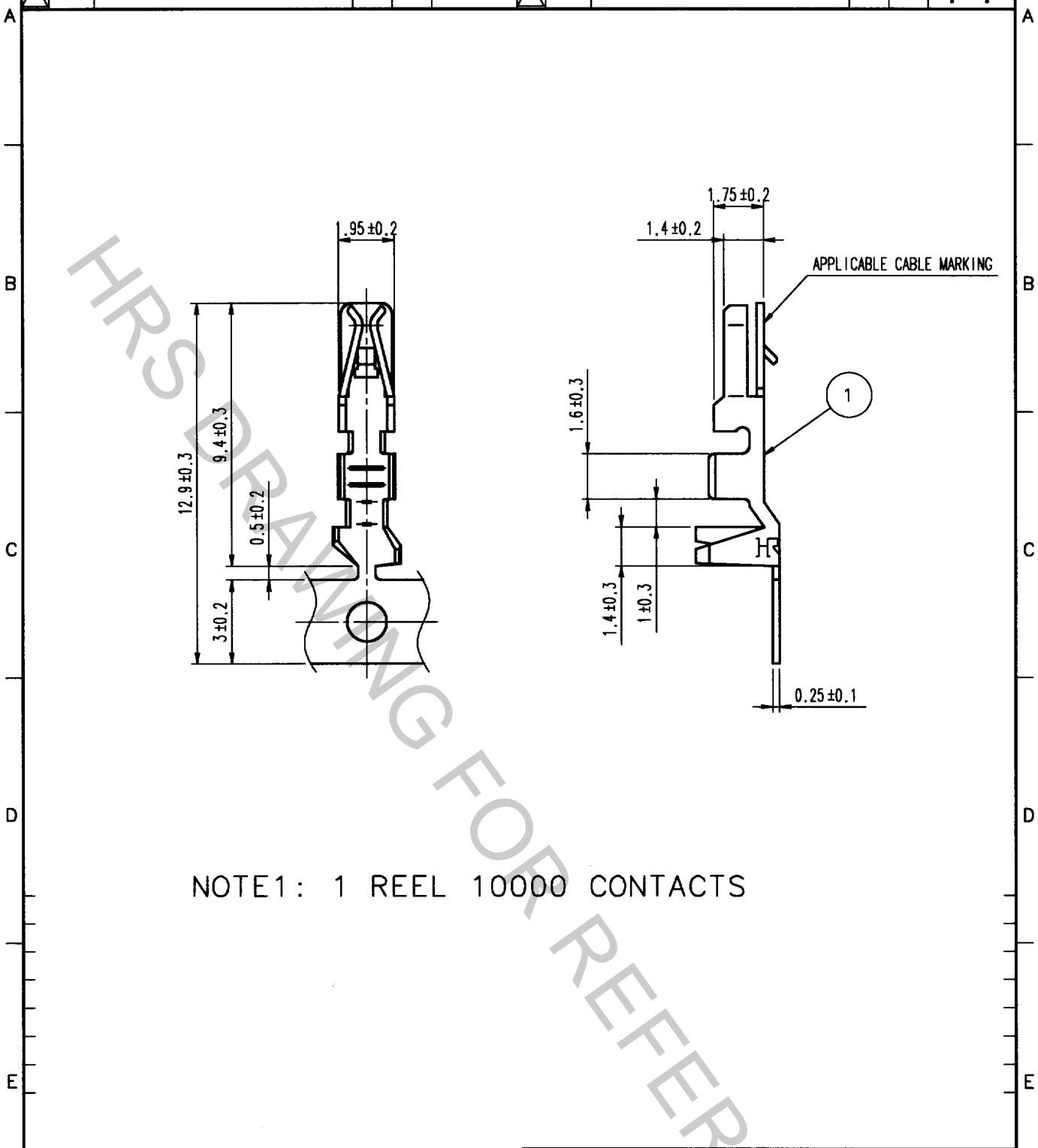


1			2			3			4					
COUNT	DESCRIPTION OF REVISIONS	BY	CHKD	DATE	COUNT	DESCRIPTION OF REVISIONS	BY	CHKD	DATE	COUNT	DESCRIPTION OF REVISIONS	BY	CHKD	DATE
△					△									
△					△									
△					△									



NOTE1: 1 REEL 10000 CONTACTS

1		PHOSPHOR BRONZE		TIN PLATED			
NO.	MATERIAL	FINISH, REMARKS		NO.	MATERIAL	FINISH, REMARKS	
CL							
CODE NO. (OLD)		DRAWN	DESIGNED	CHECKED	APPROVED	RELEASED	
		Y. NAGASHIMA	<i>J. Inoue</i>	<i>T. Miyazaki</i>	<i>K. Katayama</i>		
		'00.08.09	'00.08.09	'00.08.09	'00.8.9		
DRAWING NO.			PART NO.				
EDC4-161406			DF1E-2022SCF				
CODE NO.			CL541-0999-5				
1			1				

TO

