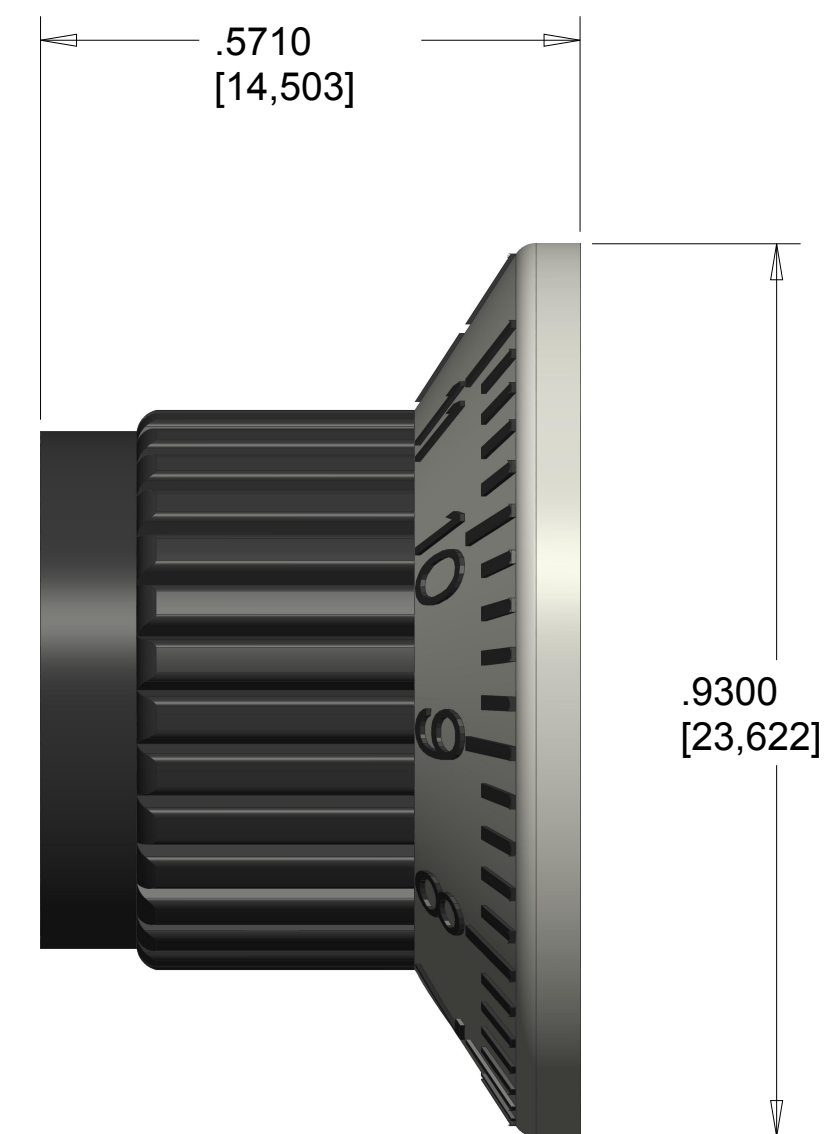
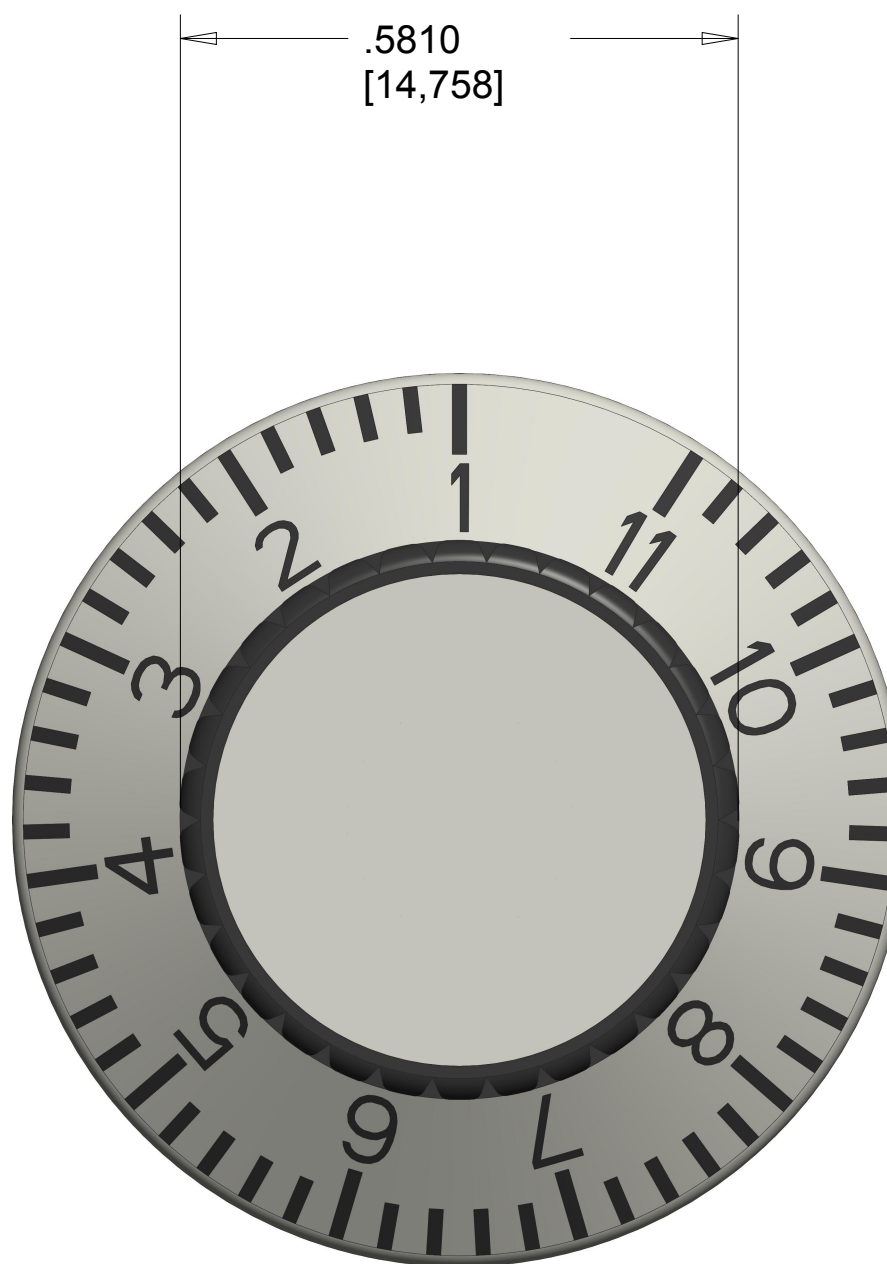
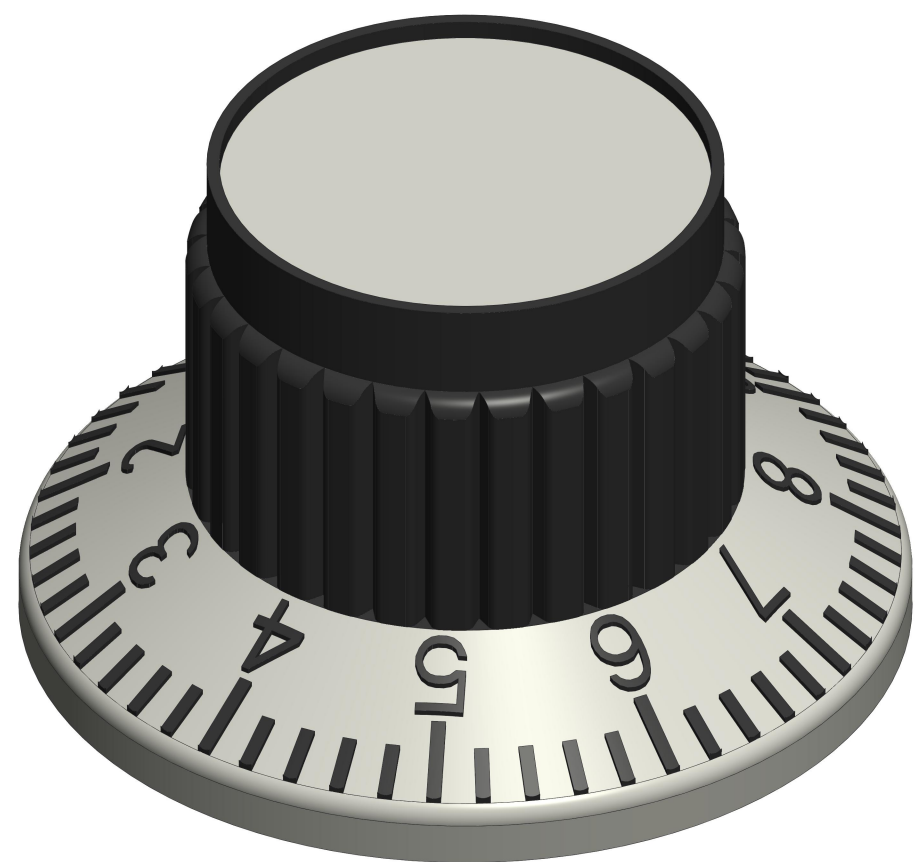



4

3

2

1



Available in small, medium, and large size. Mounts on 6mm shaft.	MATERIAL:	Metal + Plastic		MODEL NAME:	COM-11951	
	NOTES:	Do you need that extra push over the cliff? The Small sized GTE (Goes To Eleven) Knob can fit onto potentiometers with a 6mm wide shaft thanks to a brass insert with a set screw. We know that most of you are playing at ten, but with the GTE Knob you can go... one louder.		https://www.sparkfun.com/products/11951 GTE Knob Small PAGE SIZE C 22 x 17 INCH		
	DESCRIPTION:			SCALE:	5.0	
	DRAWN BY:	Paul Smith		UNITS:	inch[mm]	
	DATE:	15 August 2013		VER:	1.0	
		CAD APPLICATION: Creo Parametric 2.0				SHEET 1 / 1

4

3

2

1

D

D

C

C

B

B

A

A