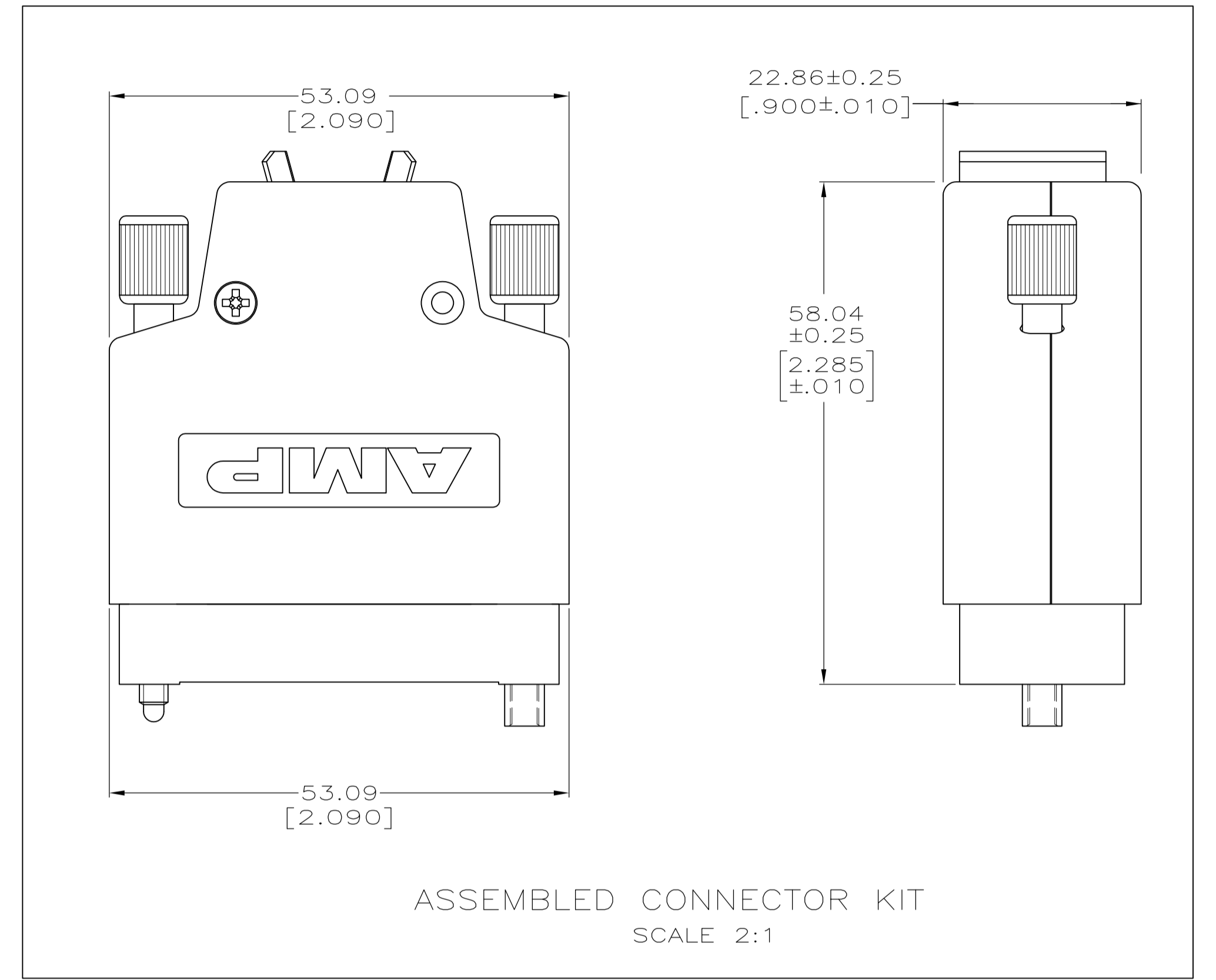
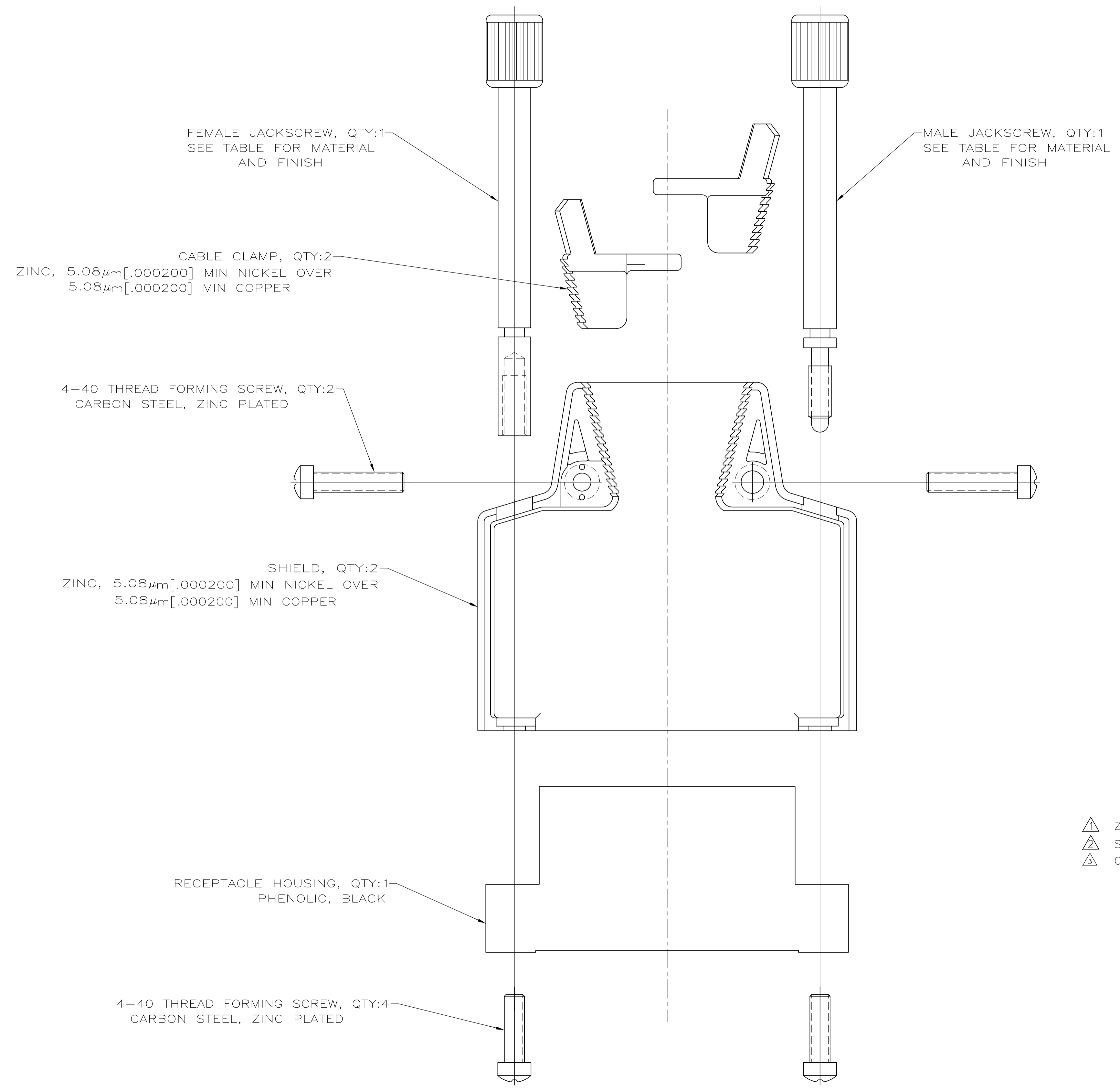


LOC	DIST	P	F	ZONE	LTR	DESCRIPTION	DATE	APPD
FT	8					0 RLSE PER NPR 3589, WAS 90-4883-31	6-21-91	-
						A ADDED -3 & -4 PER NPR 4304	08/12/92	SK
						A1 ADDED -5 PER NPR 5009	12/15/93	TC
						B REV PER EC 0020-216-95	03/27/95	TC
						C REV PER EC 0020-318-95	05/05/95	TC
						D OBS -4 PER EC 0020-598-96	08 JAN 97	MM
						M REVISED PER ECO-09-020689	25AUG09	KK AEG



- ▲ ZINC, NICKEL PLATED.
- ▲ STAINLESS STEEL.
- ▲ OBSOLETE PARTS: OBSOLETE CIS STREAMLINING PER D.RENAUD/D.SINISI

JACKSCREW	CABLE DIAMETER	PART NO
▲	3.81-7.62 [.150-.300]	213685-5
▲	6.35-10.16 [.250-.400]	213685-4
▲	10.16-15.24 [.400-.600]	213685-3
▲	6.35-10.16 [.250-.400]	213685-2
▲	10.16-15.24 [.400-.600]	213685-1

DO NOT SCALE PRINT. UNLESS SPECIFIED DIMENSIONS IN mm [INCHES] TOLERANCES - ON : 2 PLC DEC ± 0.13 [.005] 3 PLC DEC ± - ANGLES ± -		DR 6-21-91 W.G.LENKER		AMP Incorporated Harrisburg, PA 17105-3608	
SEE CALLOUTS		CHK 6-27-91 R STONE			
MATERIAL		APPD 6-28-91 A BOULLIANNE		NAME	
FINISH		APPD 6-28-91 A BOULLIANNE		CONNECTOR KIT, UNASSEMBLED, 34 POSITION, M SERIES	
SEE CALLOUTS		PRODUCT SPEC		SIZE	
WEIGHT		APPLICATION SPEC		CAGE CODE	
				DRAWING NO	
				213685	
				SCALE	
				3:1	
				SHEET	
				1 OF 1	