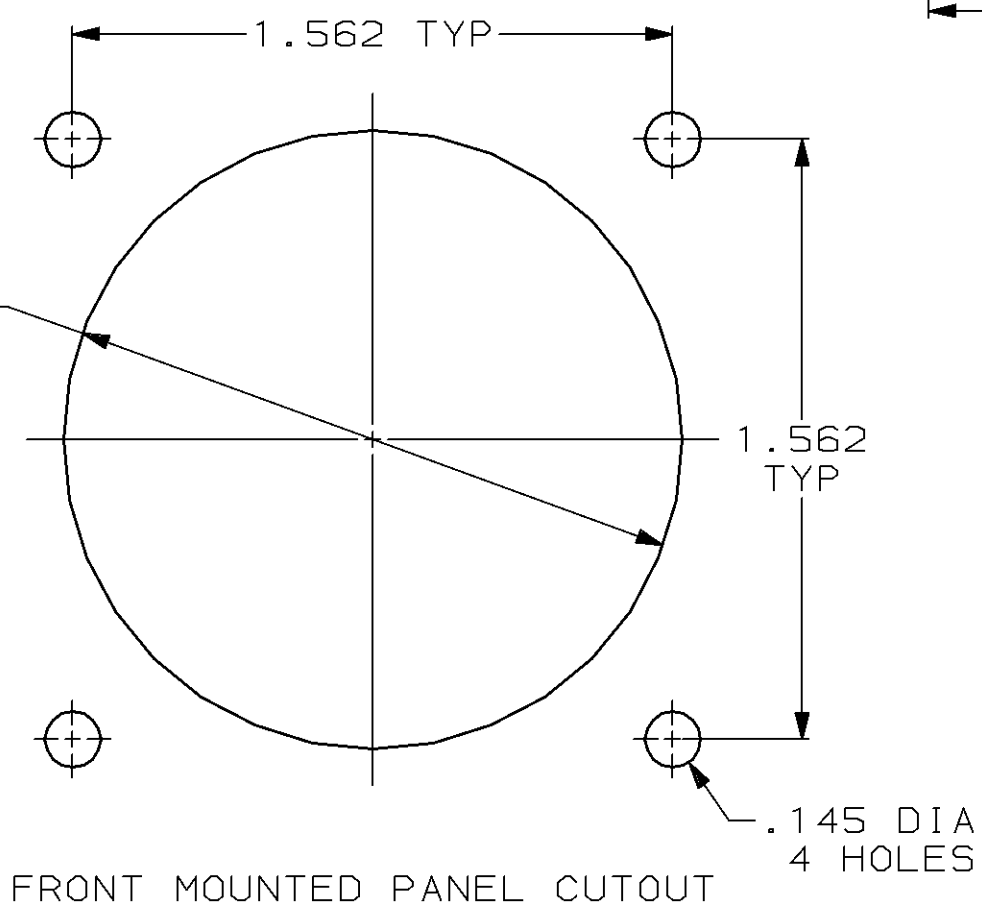
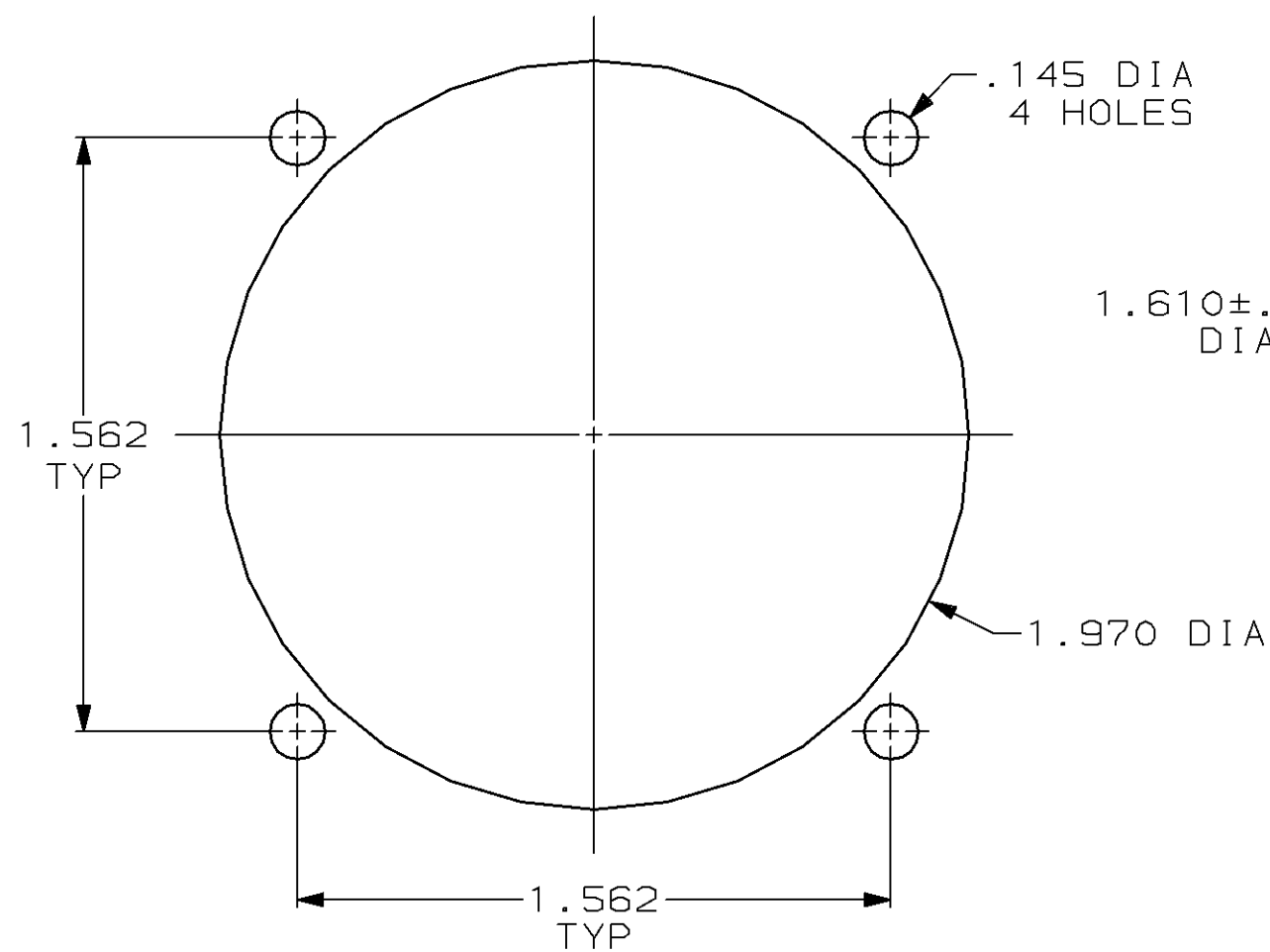
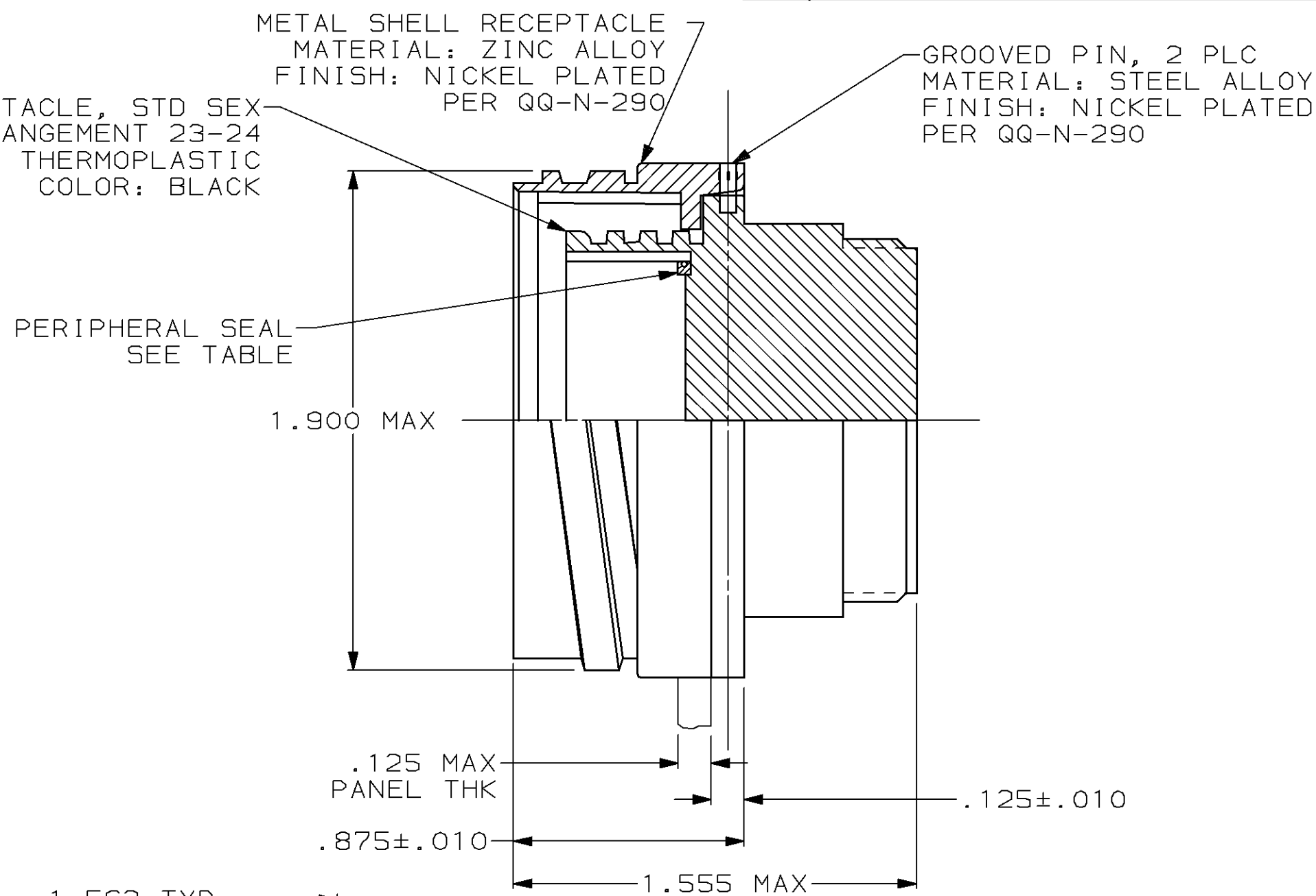
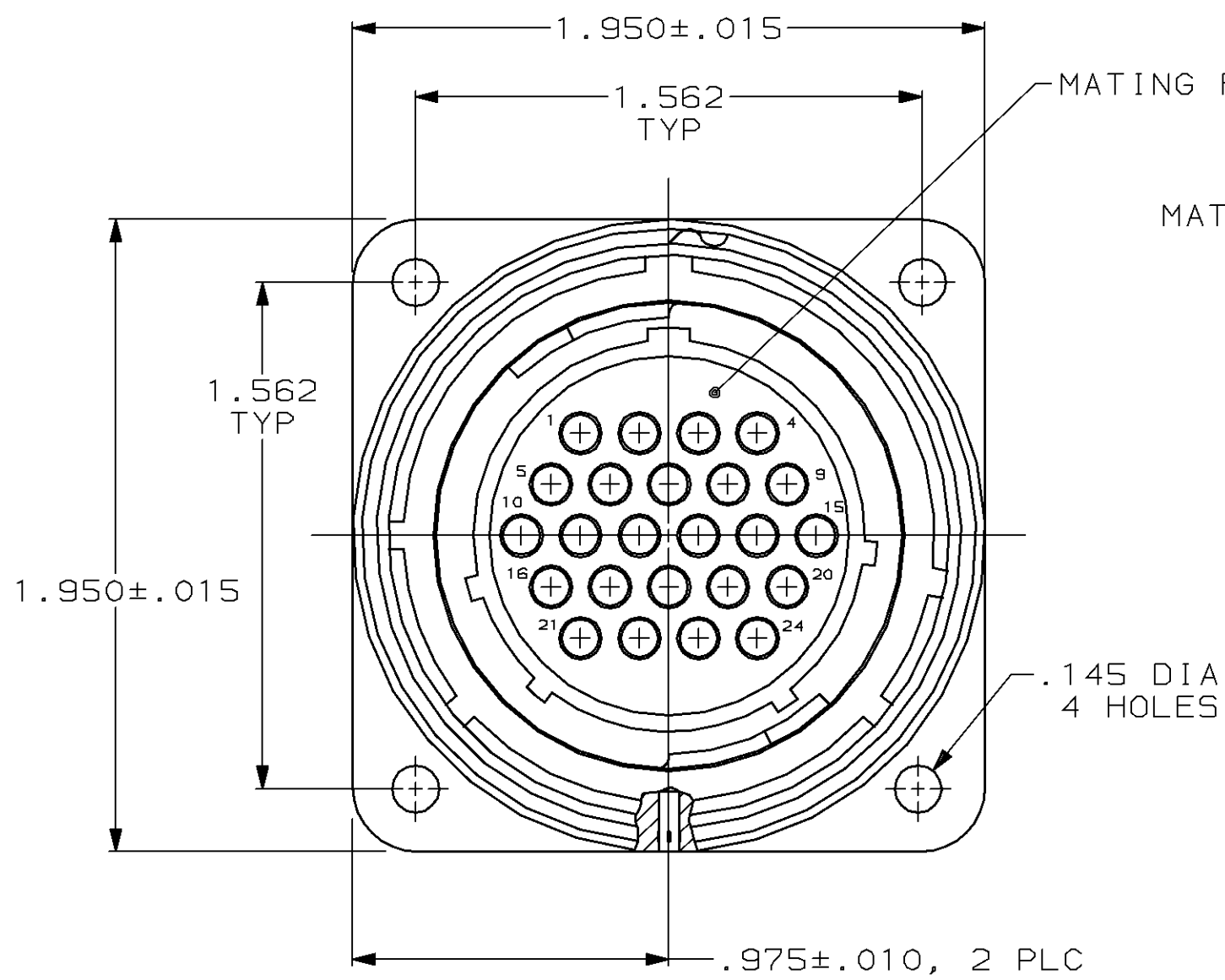


MOD	LOC	DIST	P	F	ZONE	LTR	DESCRIPTION	DATE	APPD
4	BD	35				J	REDRAWN	6-22-91	-
						K	OBS -2 PER EC 0020-0394-93	11/17/94	RK



OBSOLETE	YES	208459-2
	NO	208459-1
	PERIPHERAL SEAL	PART NUMBER

REAR MOUNTED PANEL CUTOUT

FRONT MOUNTED PANEL CUTOUT

DO NOT SCALE PRINT. UNLESS SPECIFIED DIMENSIONS IN INCHES TOLERANCES ON :	DR 6-22-91 R.LEE BG	AMP Incorporated Harrisburg, PA 17105-3608	
	CHK 4-15-92 W.G.LENKER		
MATERIAL	APPD 4-15-92 K.BEAVER	NAME	
SEE CALLOUT	APPD 4-15-92 C.ROHDE	RECEPTACLE ASSEMBLY, STD SEX, SERIES 1, 28-24, CMC	
FINISH	PRODUCT SPEC 108-10040	SIZE	CAGE CODE
SEE CALLOUT	APPLICATION SPEC -	SCALE	DRAWING NO
	WEIGHT -	2:1	00779
			208459
			SHEET 1 OF 1

- 208459-1 MATES WITH AMP PLUG 208457-1 OR -3.  
208459-2 MATES WITH 208457-1 ONLY.
- AMP PART NUMBER AND DATE CODE TO BE LOCATED  
ON EDGE OF FLANGE.