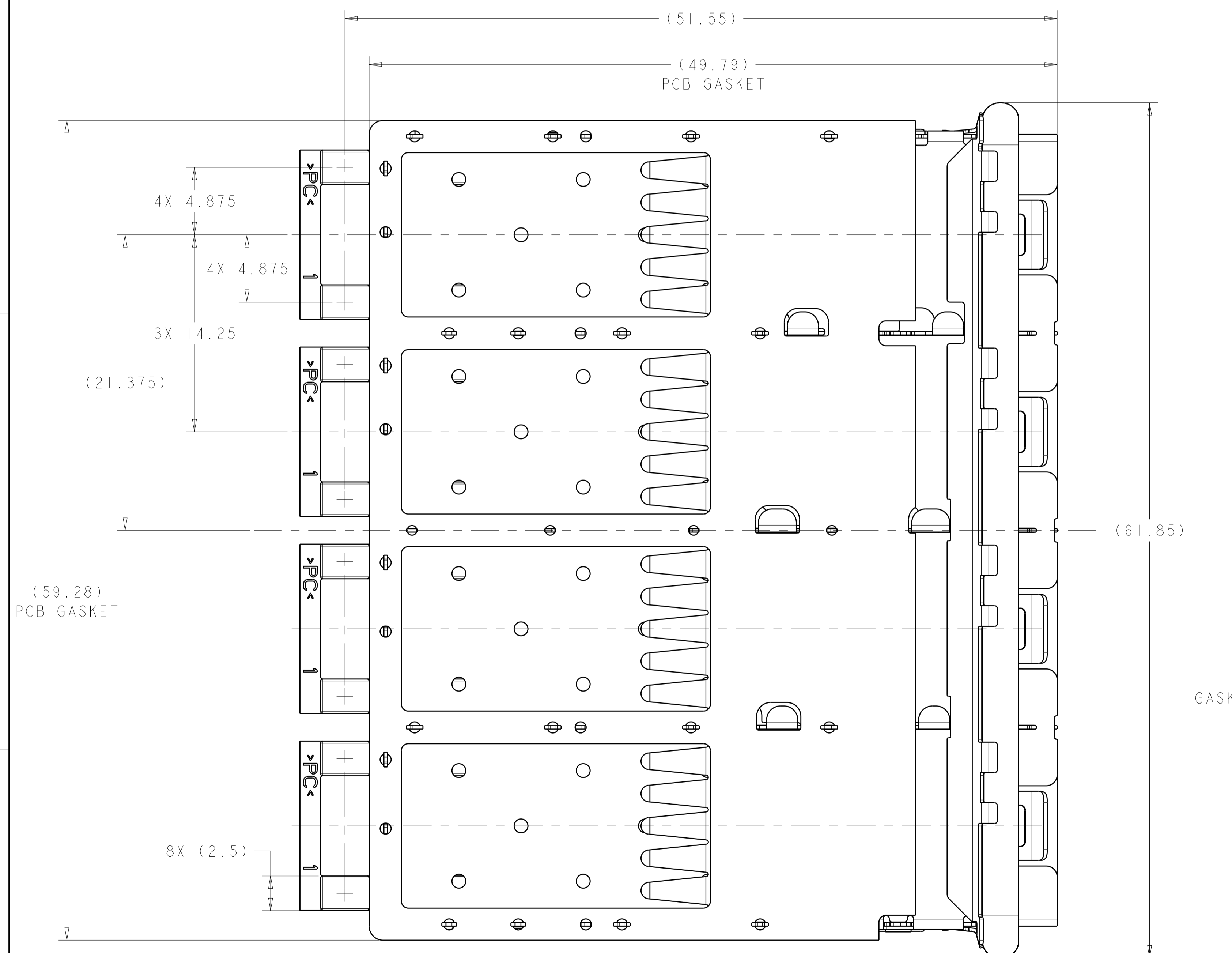
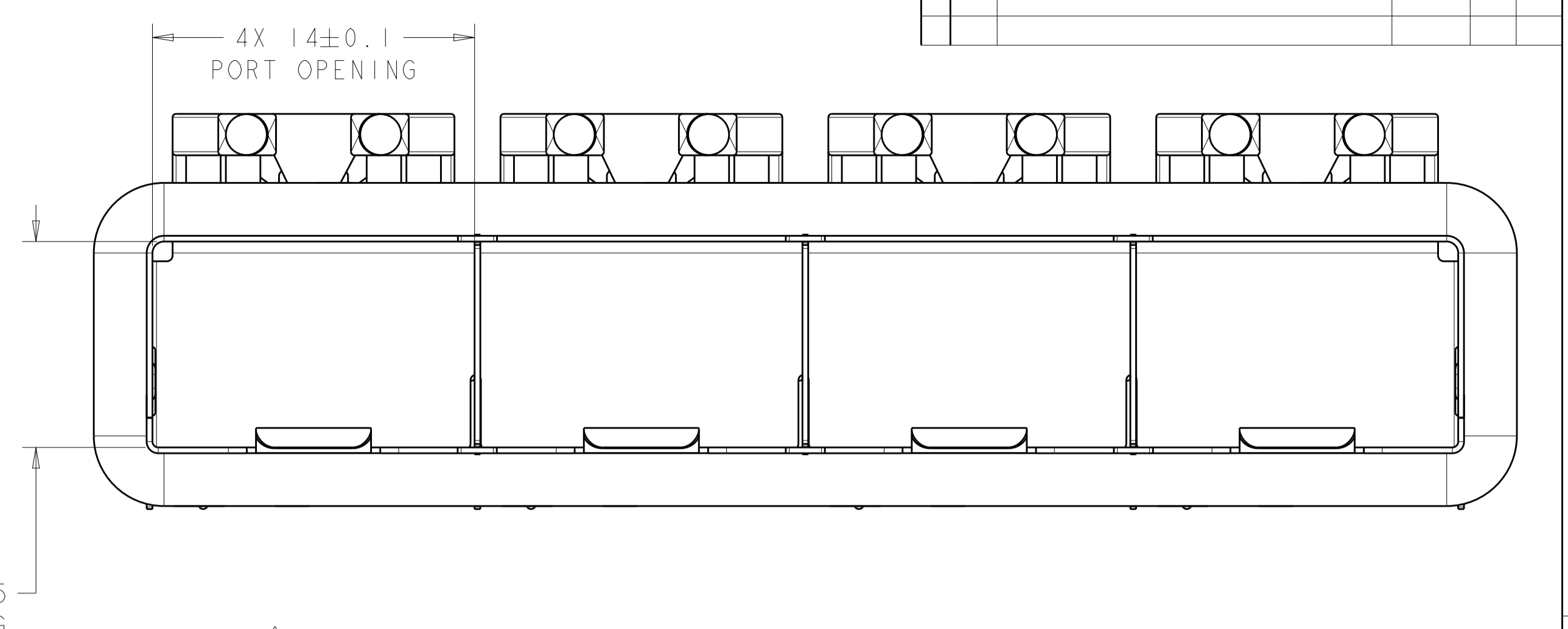
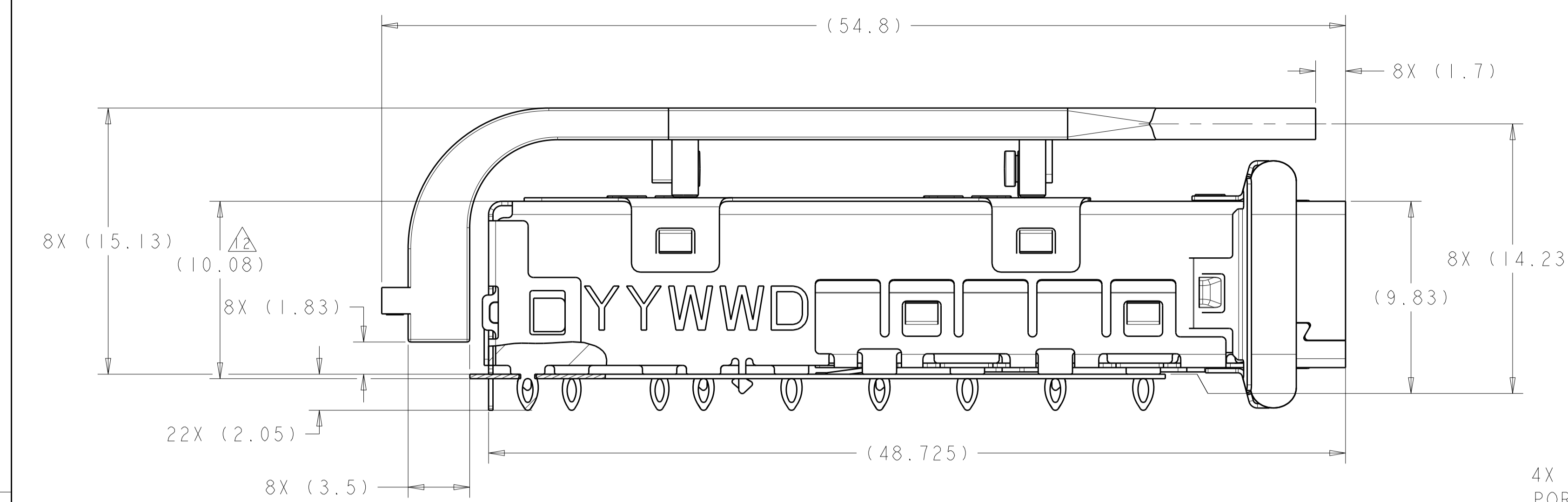
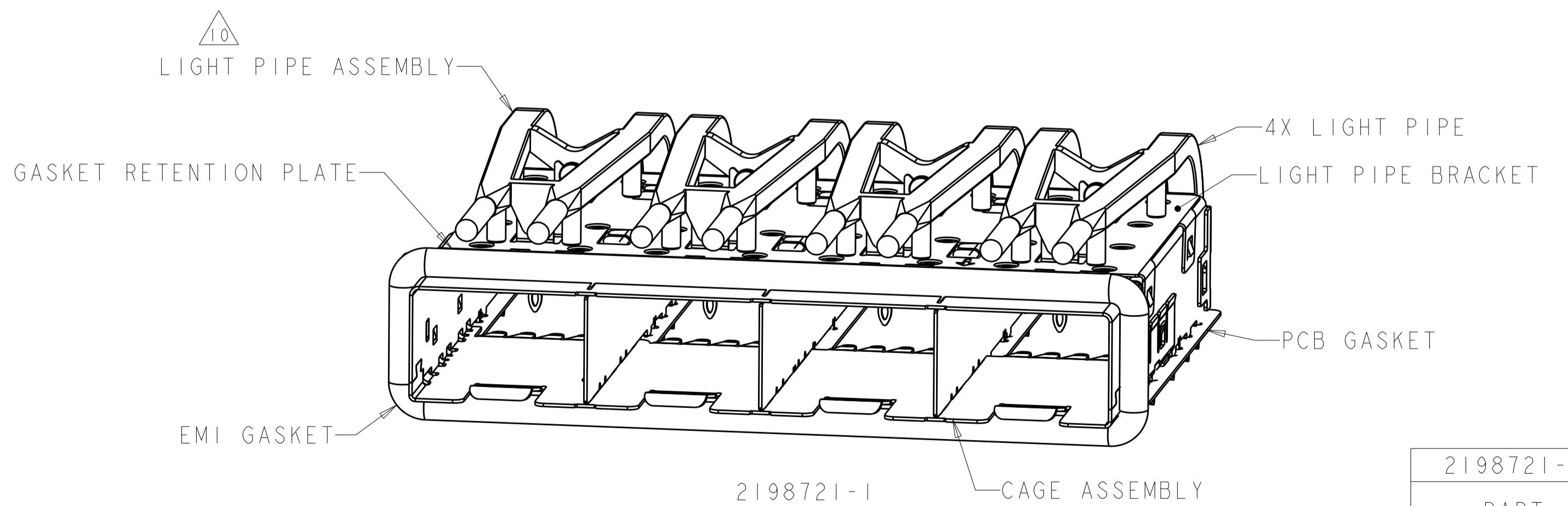


LOC	DIST	REVISIONS					
		P.	LTN	DESCRIPTION	DATE	DWN	APVD
GP	00	A		REVISED PER ECO-15-002647	05MAR2015	AP	MS
		B		REVISED PER ECO-16-014593	13FEB2017	JW	SH



- △ MATERIAL:  
 CAGE ASSEMBLY: NICKEL SILVER ALLOY, (0.25mm)  
 GASKET RETENTION PLATE: STAINLESS STEEL  
 EMI GASKET: PLATED FILLED SILICONE  
 PCB GASKET: RF ABSORBER  
 LIGHT PIPE BRACKET: STAINLESS STEEL  
 LIGHT PIPE: POLYCARBONATE, CLEAR
- △ MINIMUM PC BOARD THICKNESS:  
 SINGLE SIDED = 1.45mm  
 BELLY TO BELLY = 3mm
- △ PADS AND VIAS CHASSIS GROUND
- △ DATUM AND BASIC DIMENSION ESTABLISHED BY CUSTOMER
- 5. MATES WITH SFP MSA COMPLIANT TRANSCEIVERS
- 6. INTERPRETATION OF DATUM REFERENCE FRAME IN ACCORDANCE WITH SECT 4.4.1.1 OF ASME Y14.5M-1994
- △ REFERENCE APPLICATION SPEC. 114-13120, HOLE A, FOR RECOMMENDED DRILL HOLE DIAMETER AND PLATING THICKNESS
- △ REFERENCE APPLICATION SPEC. 114-13120, HOLE B, FOR RECOMMENDED DRILL HOLE DIAMETER AND PLATING THICKNESS
- △ HOLE PATTERN REPEATS FOR EACH PORT, SPACING BETWEEN PORTS IS 14.25mm
- △ LIGHT PIPE ASSEMBLY SHIPPED UNASSEMBLED TO CAGE ASSEMBLY, CAGE ASSEMBLY TO BE PRESSED INTO THE PCB PRIOR TO ATTACHING LIGHT PIPE ASSEMBLY TO CAGE
- 11. PRODUCT COMPLIES WITH SPECIFICATION SFF-8433, IMPROVED PLUGGABLE FORM FACTOR FOR SFP+ GANGED CAGES
- △ CONTACT STANDOFF WILL PIERCE GASKET WHEN PROPERLY PRESSED INTO PCB.

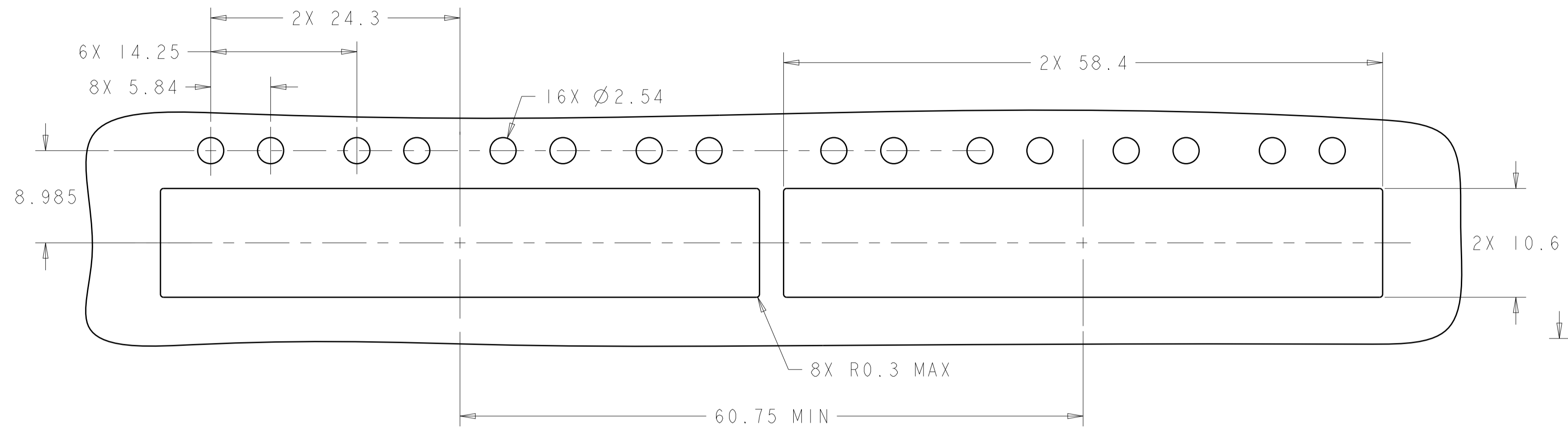


2198721-1  
SCALE 3:1

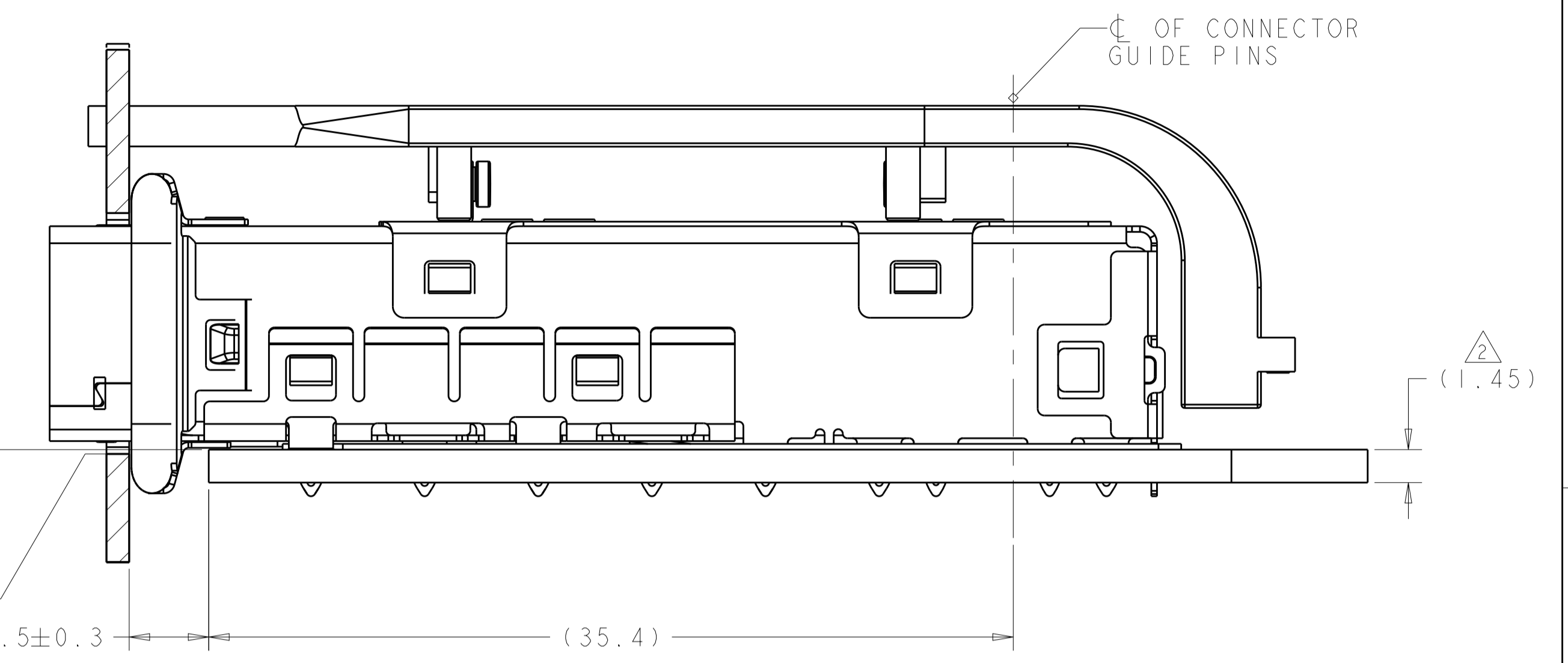
2198721-1  
PART NUMBER

THIS DRAWING IS A CONTROLLED DOCUMENT.		DWN: M.E. CONNER 11JAN2013	STE Connectivity	
DIMENSIONS: mm		CHK: M.D. MORRISON 01FEB2013	CAGE ASSEMBLY WITH LIGHT PIPES, ENHANCED, PRESS-FIT, 1X4, zSFP+	
TOLERANCES UNLESS OTHERWISE SPECIFIED:		APVD: M.J. PHILLIPS 01FEB2013		
0 PLC ±0.25		PRODUCT SPEC: 108-2364	SIZE: CAGE CODE: DRAWING NO: A100779C=2198721	
1 PLC ±0.25		APPLICATION SPEC: 114-13120	RESTRICTED TO: -	
2 PLC ±0.25		WEIGHT: -	SCALE: 5:1 SHEET 1 OF 4 REV B	
3 PLC ±0.25		Customer Drawing		
4 PLC ±0.25				
ANGLES: °				
FINISH: SEE NOTES				

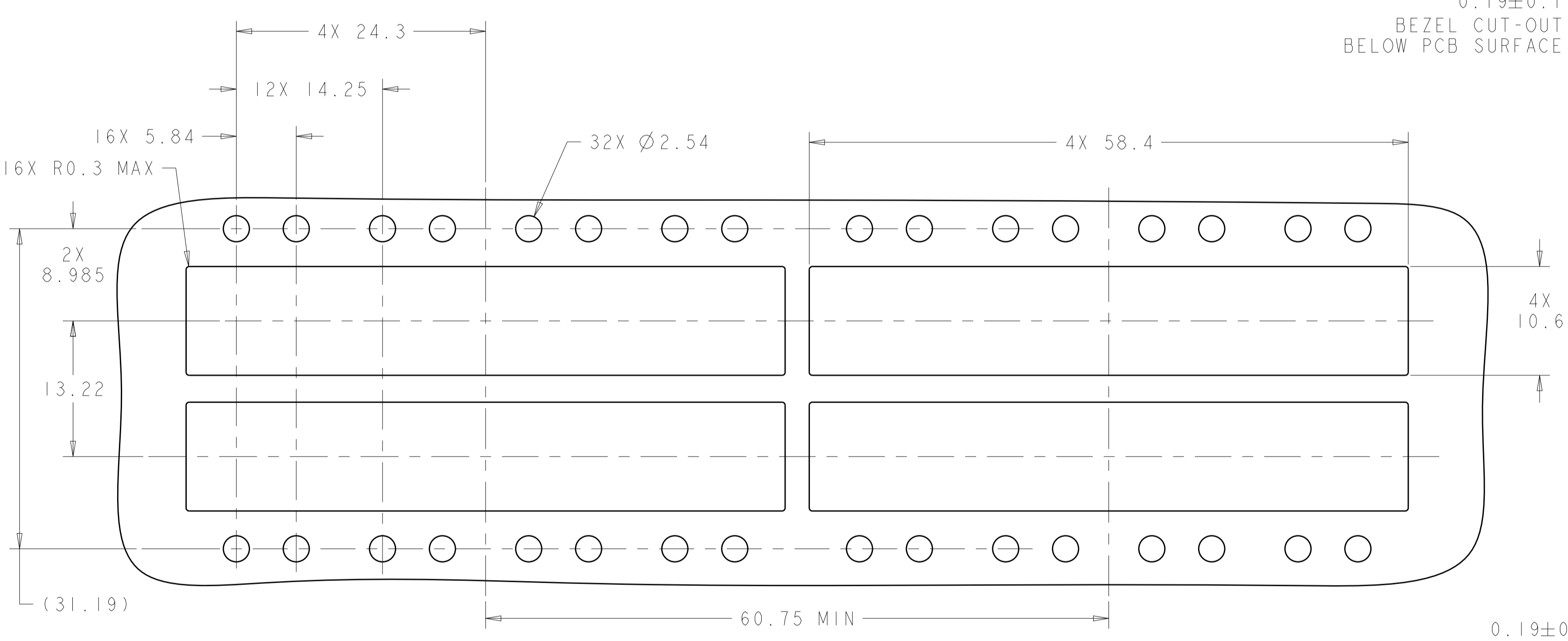
LOC		DIST		REVISIONS			
GP	00	P	LTN	DESCRIPTION	DATE	DMN	APVD
		-		SEE SHEET 1			



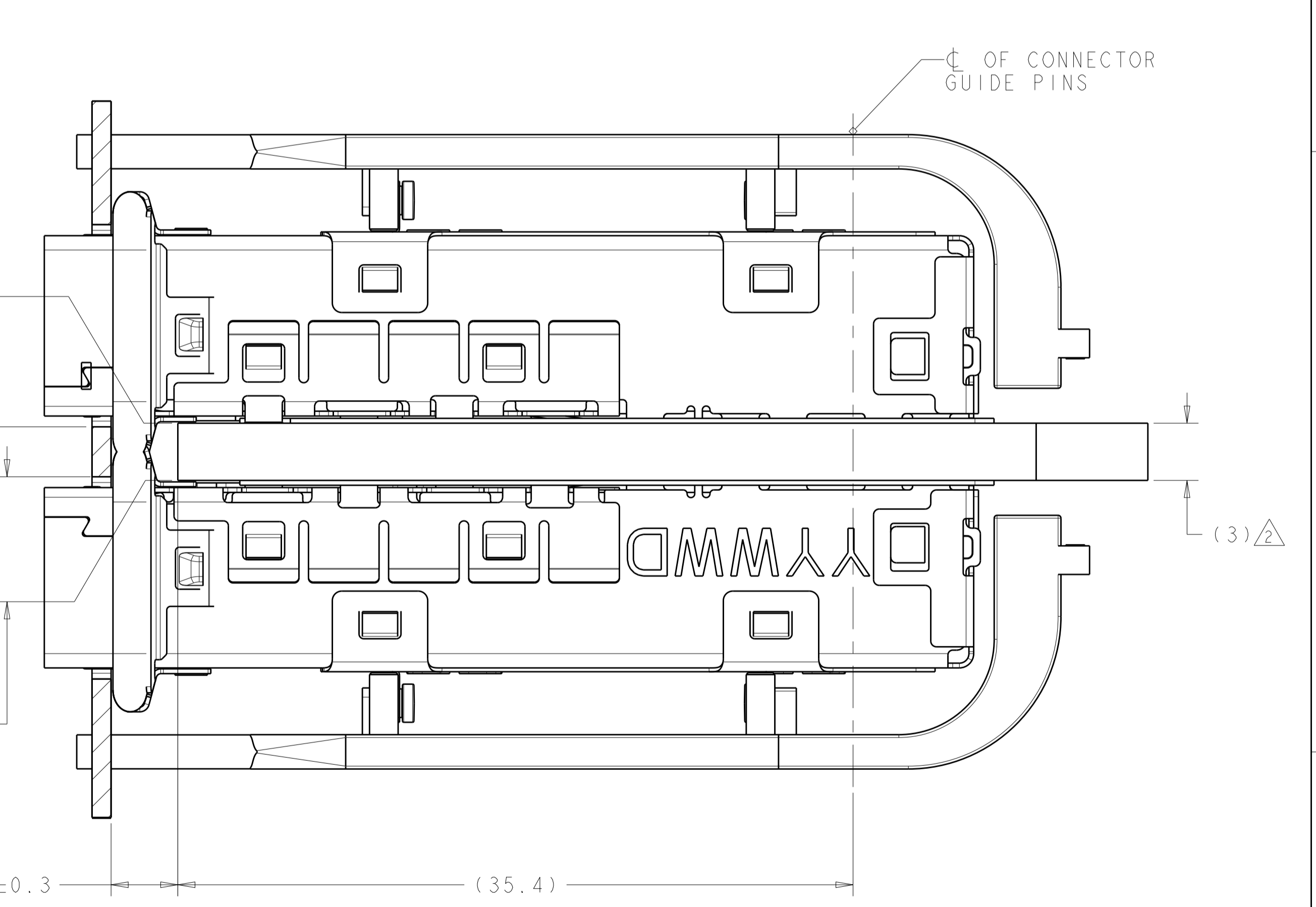
RECOMMENDED BEZEL OPENING  
 SINGLE SIDED APPLICATIONS  
 SCALE 3:1



MOUNTED ON PC BOARD  
 SHOWN THRU RECOMMENDED BEZEL  
 SCALE 5:1



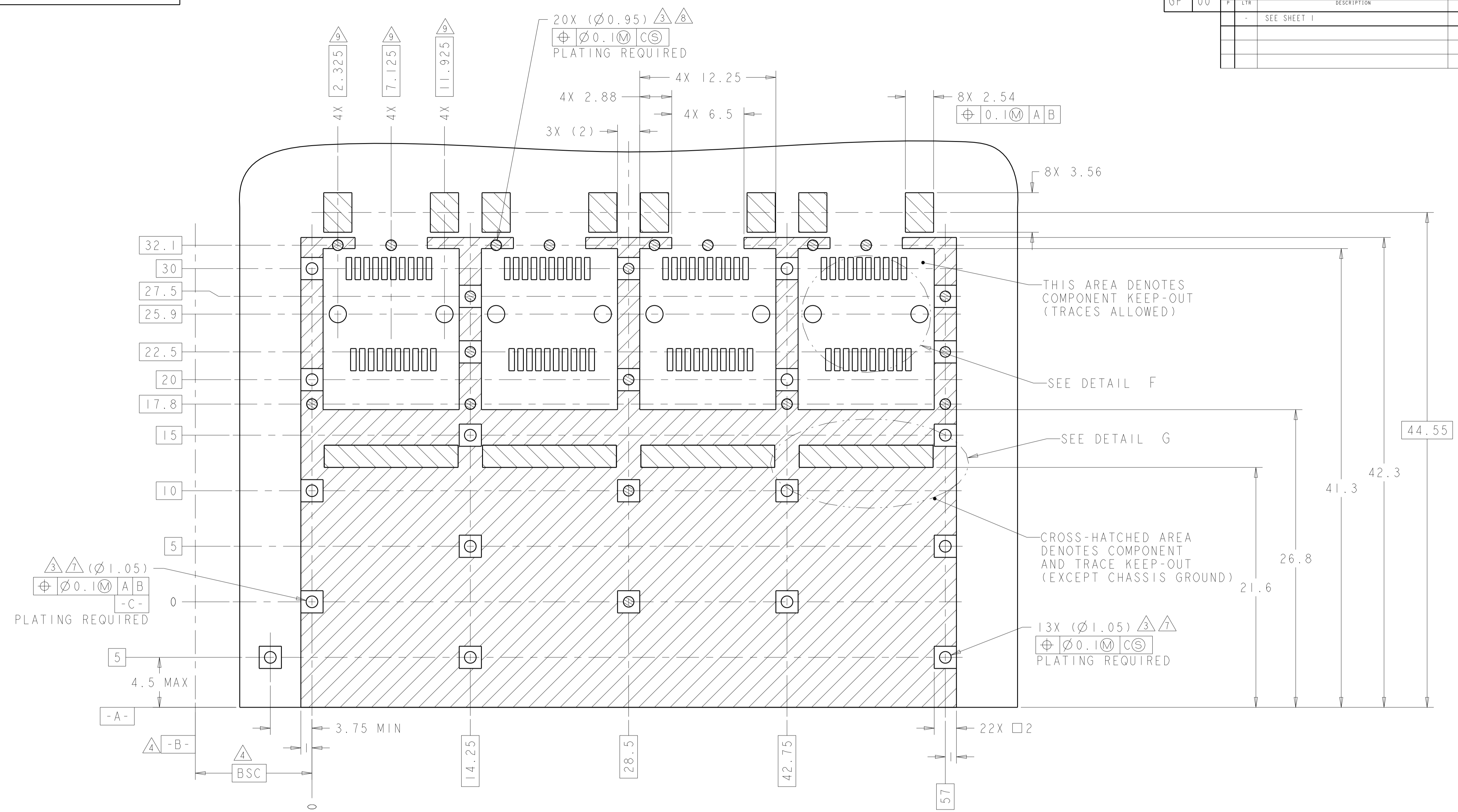
RECOMMENDED BEZEL OPENING  
 BELLY TO BELLY APPLICATIONS  
 SCALE 3:1



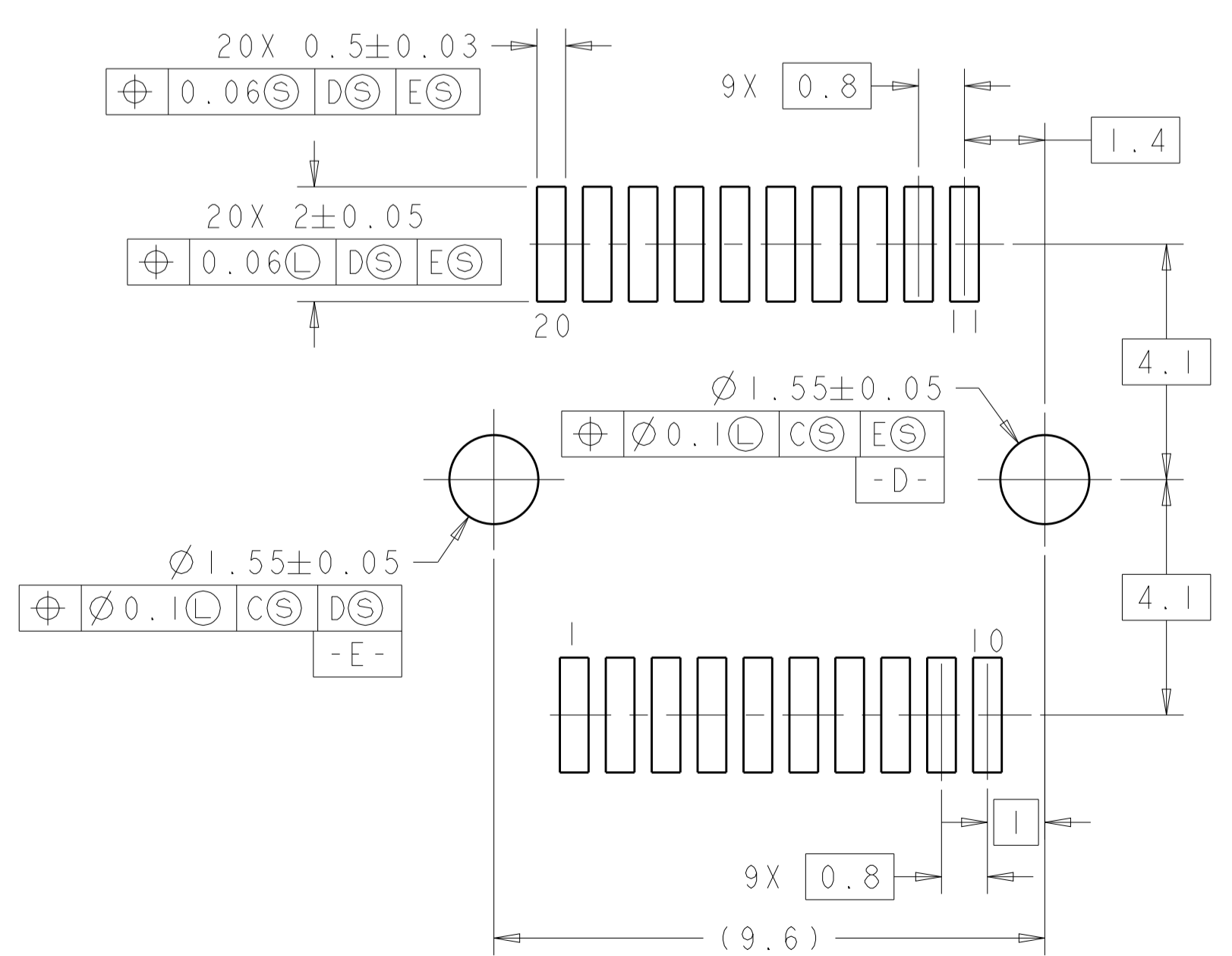
MOUNTED BELLY TO BELLY ON PC BOARD  
 SHOWN THRU RECOMMENDED BEZEL  
 SCALE 5:1

THIS DRAWING IS A CONTROLLED DOCUMENT.		DMN	M. E. CONNER	11JAN2013	TE Connectivity CAGE ASSEMBLY WITH LIGHT PIPES, ENHANCED, PRESS-FIT, 1X4, zSFP+
DIMENSIONS:		CHK	M. D. MORRISON	01FEB2013	
mm		APVD	M. J. PHILLIPS	01FEB2013	
0 PLC ±0.1 2 PLC ±0.1 3 PLC ±0.08 4 PLC ±0.05 ANGLES ±°		PRODUCT SPEC	108-2364	APPLICATION SPEC	
MATERIAL SEE NOTES		FINISH	SEE NOTES	114-13120	RESTRICTED TO
		WEIGHT			A100779C=2198721
		Customer Drawing		SCALE 1:1	SHEET 2 OF 4 REV B

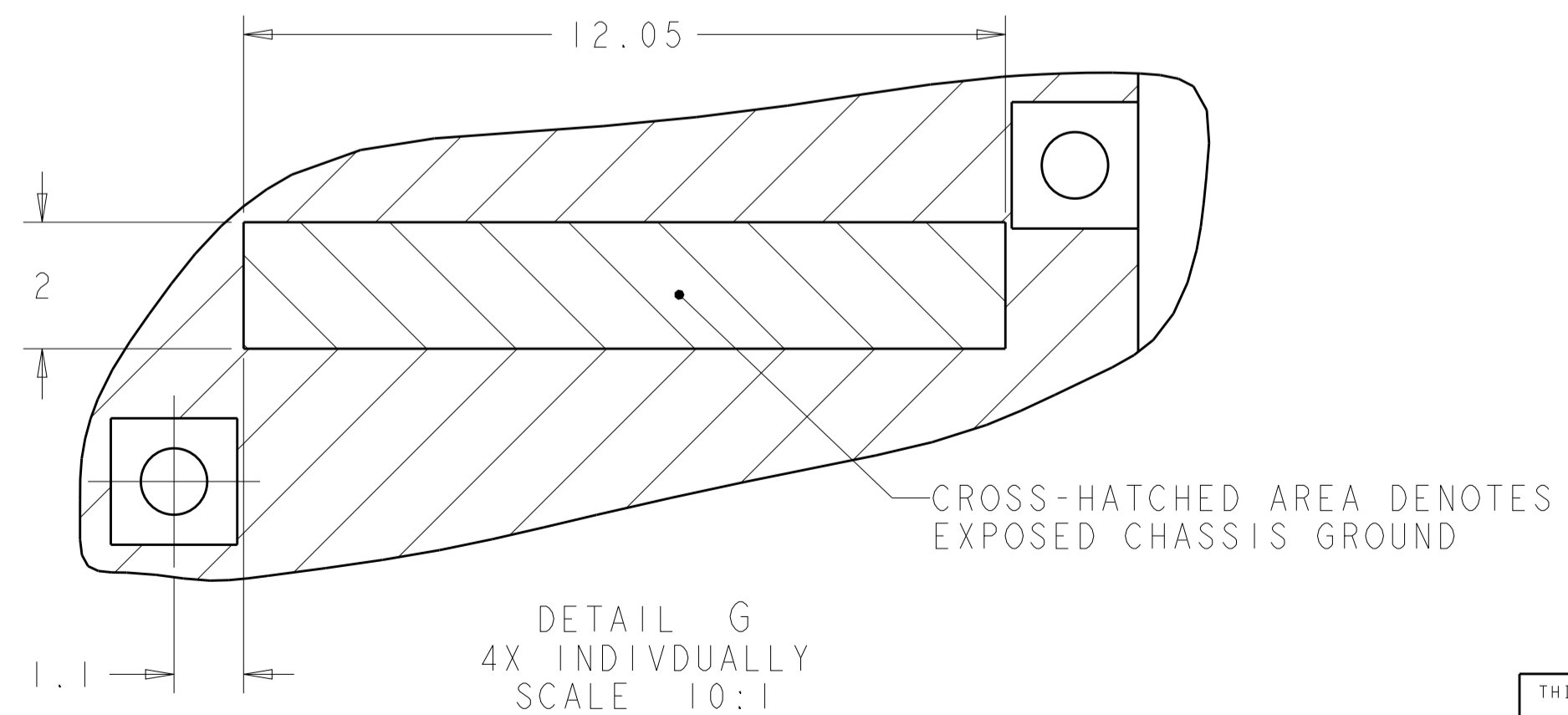
LOC	DIST	REVISIONS					
GP	00	P	LTN	DESCRIPTION	DATE	DMN	APVD
		-		SEE SHEET 1			



RECOMMEND PCB CONFIGURATION WITH KEEP-OUT AREAS FOR SINGLE SIDE APPLICATION  
 SCALE 5:1



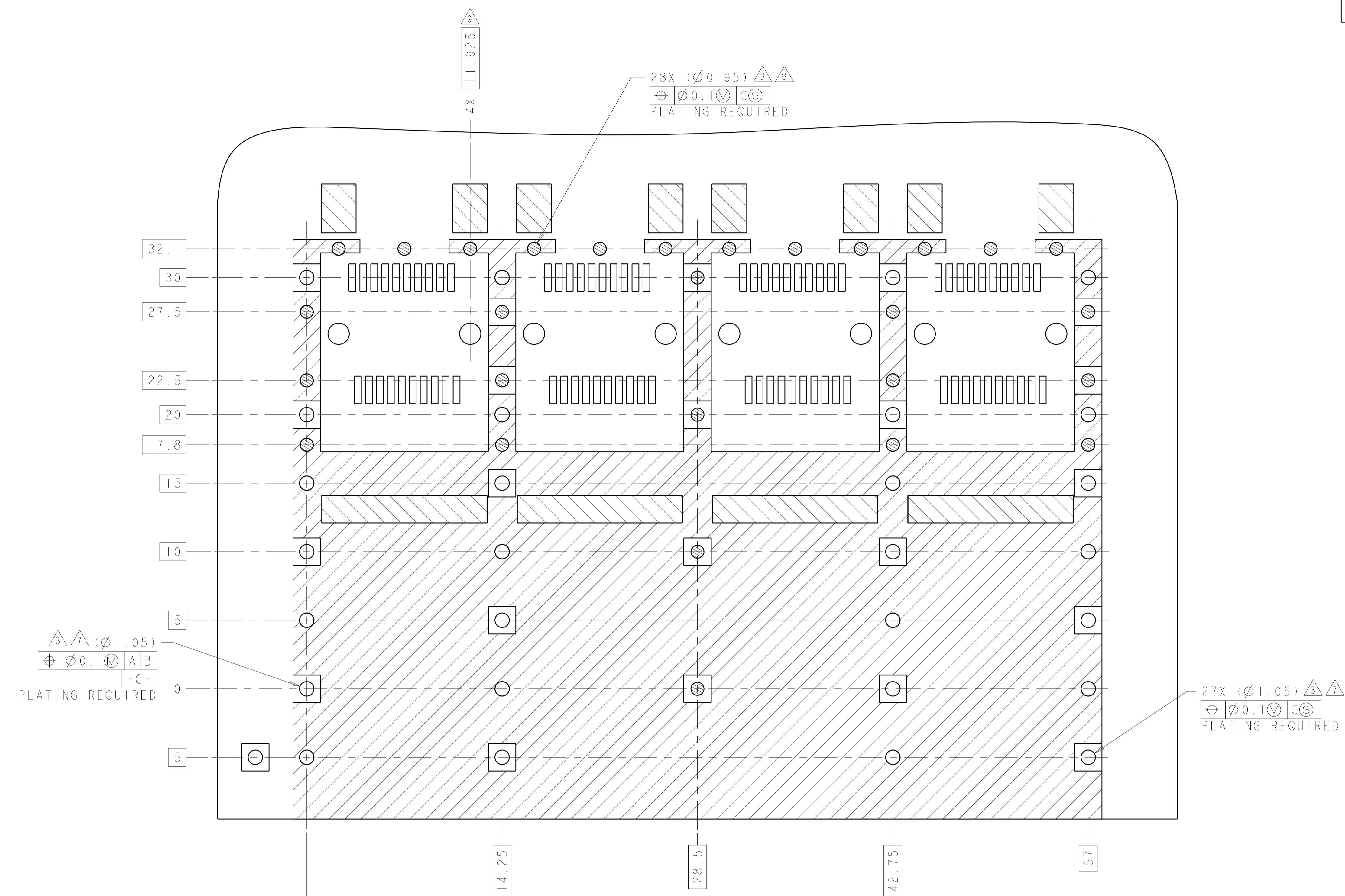
DETAIL F  
 4X INDIVIDUALLY  
 SCALE 10:1



DETAIL G  
 4X INDIVIDUALLY  
 SCALE 10:1

THIS DRAWING IS A CONTROLLED DOCUMENT.		DMN: M.E. CONNER 11JAN2013	TE Connectivity
DIMENSIONS: mm		CHK: M.D. MORRISON 01FEB2013	
TOLERANCES UNLESS OTHERWISE SPECIFIED:		APVD: M.J. PHILLIPS 01FEB2013	NAME: CAGE ASSEMBLY WITH LIGHT PIPES, ENHANCED, PRESS-FIT, 1X4, zSFP+
0 PLC ±0.1	1 PLC ±0.1	PRODUCT SPEC: 108-2364	SIZE: A1
2 PLC ±0.08	3 PLC ±0.05	APPLICATION SPEC: 114-13120	CAGE CODE: 2198721
4 PLC ±0.05	ANGLES ±1°	WEIGHT: -	RESTRICTED TO: -
MATERIAL: SEE NOTES	FINISH: SEE NOTES	Customer Drawing	SCALE: 1:1 SHEET 3 OF 4 REV B

LOC	DIST	REVISIONS			
P	LTN	DESCRIPTION	DATE	DMN	APVD
-	-	SEE SHEET 1	-	-	-



RECOMMENDED PCB CONFIGURATION WITH KEEP-OUT AREAS FOR BELLY TO BELLY APPLICATION  
 SAME AS SINGLE SIDE APPLICATION, EXCEPT AS SHOWN  
 SCALE 6:1

THIS DRAWING IS A CONTROLLED DOCUMENT.		DMN: M.E. CONNER 11JAN2013	TE Connectivity
DIMENSIONS: mm		CHK: M.D. MORRISON 01FEB2013	
TOLERANCES UNLESS OTHERWISE SPECIFIED: 0 PLC ±0.1 1 PLC ±0.1 2 PLC ±0.08 3 PLC ±0.05 4 PLC ±* ANGLES ±1°		APVD: M.J. PHILLIPS 01FEB2013	NAME: CAGE ASSEMBLY WITH LIGHT PIPES, ENHANCED, PRESS-FIT, 1X4, zSFP+
MATERIAL: SEE NOTES		PRODUCT SPEC: 108-2364	SIZE: A1
FINISH: SEE NOTES		APPLICATION SPEC: 114-13120	CAGE CODE: 2198721
		WEIGHT: -	RESTRICTED TO: -
		Customer Drawing	SCALE: 1:1 SHEET 4 OF 4 REV B