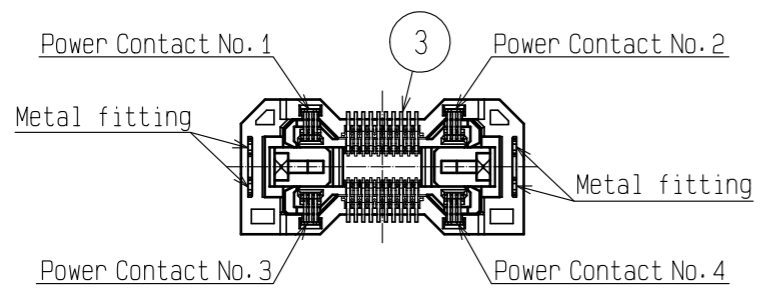
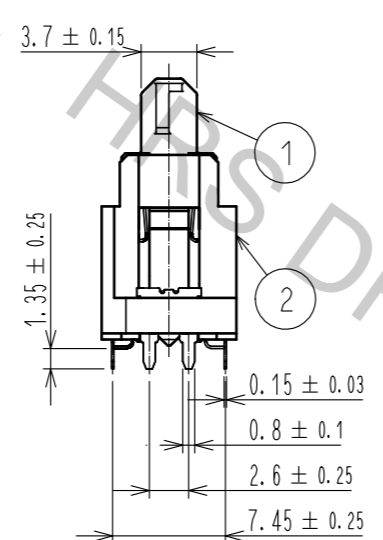
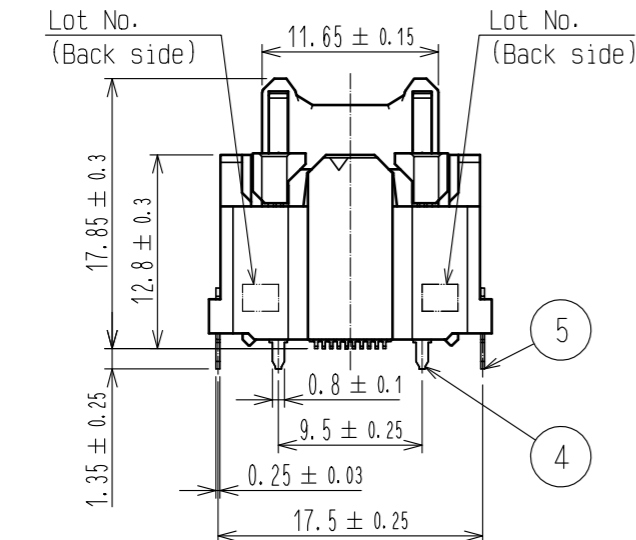
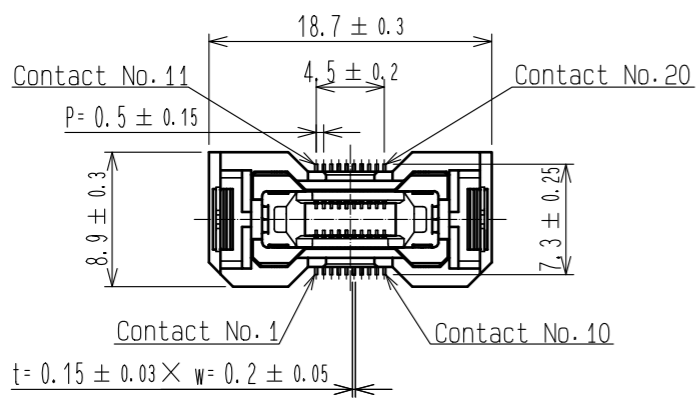
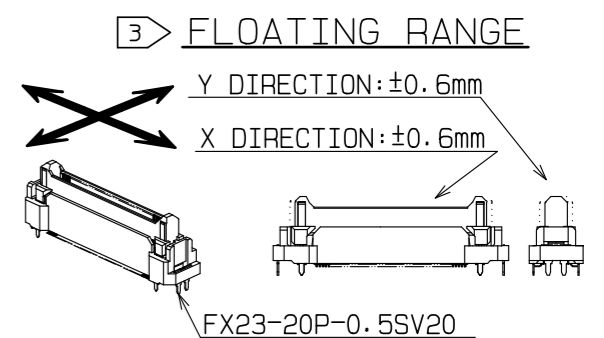
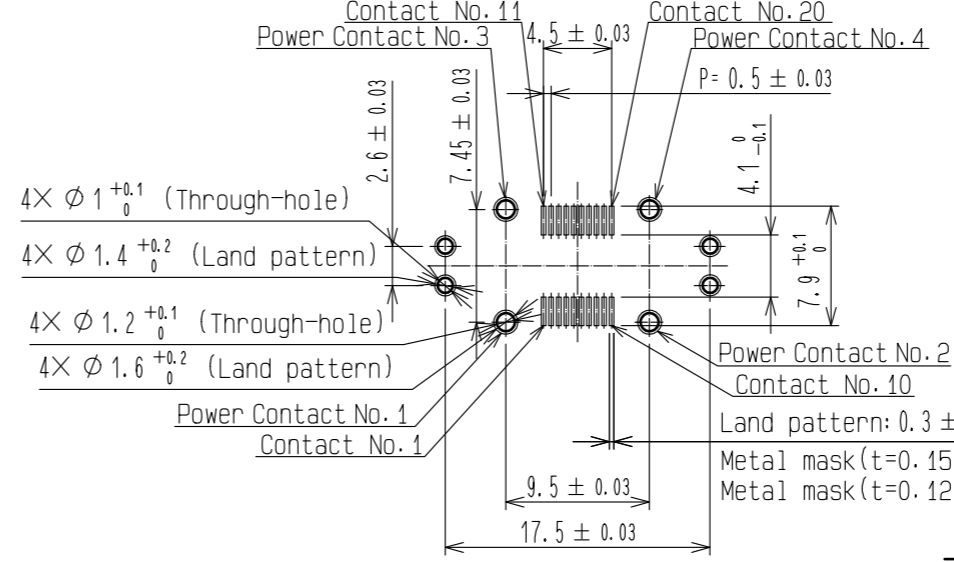


Apr.1.2017 Copyright 2017 HIROSE ELECTRIC CO., LTD. All Rights Reserved.

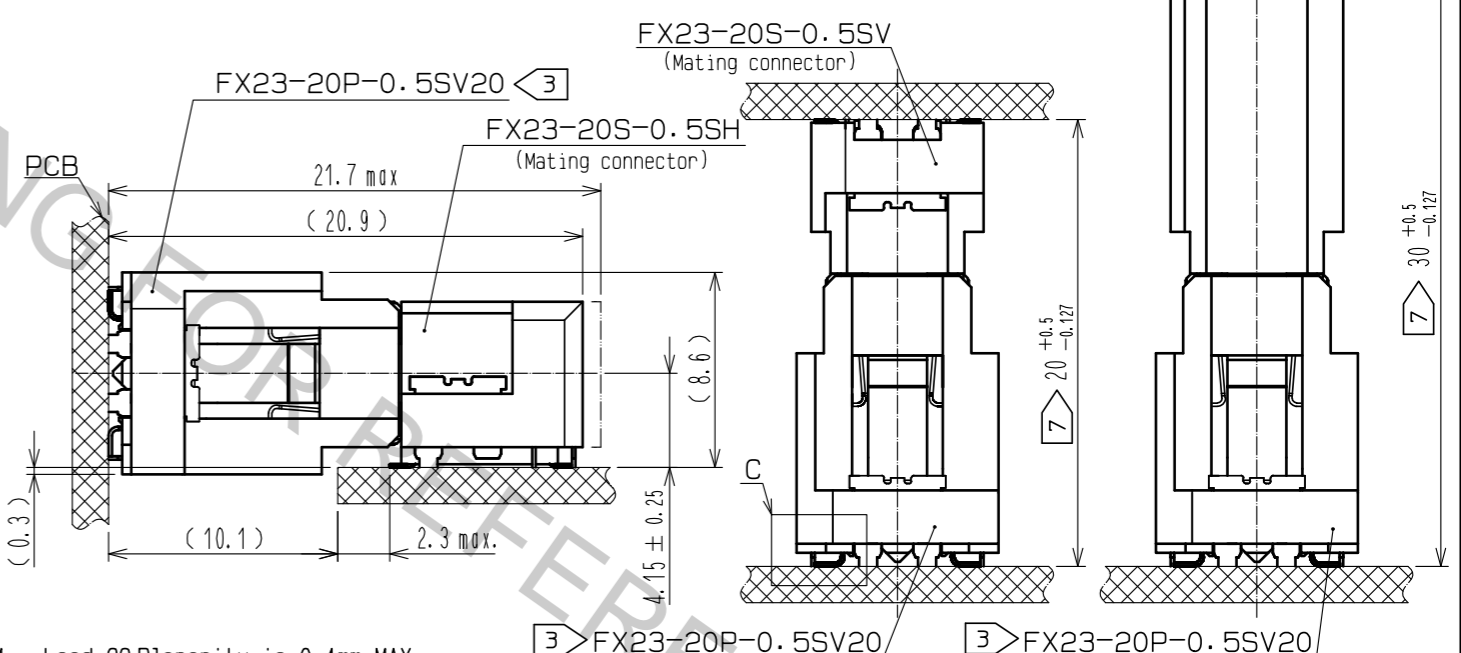


RECOMMENDED LAND PATTERN DIMENSION OF PCB

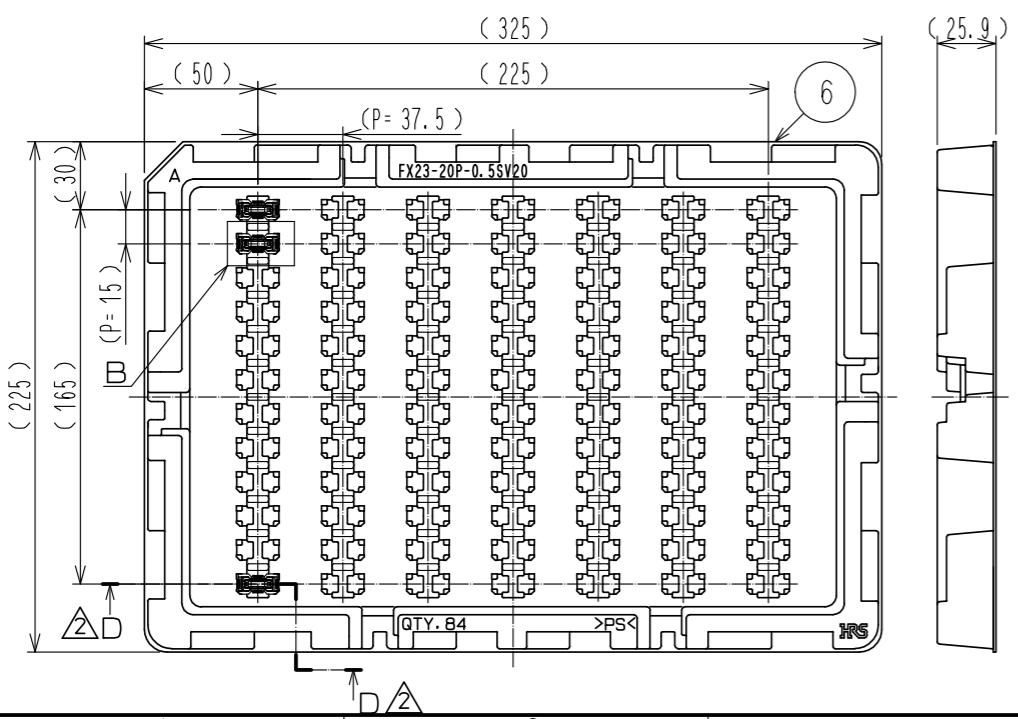
(PCB THICKNESS: t=1.6mm)



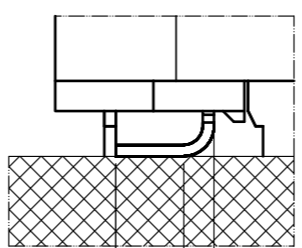
PCB DISTANCE (No scale)



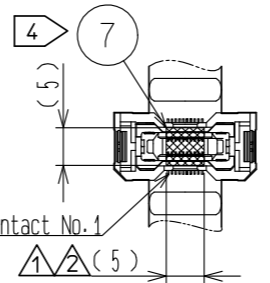
2 DRAWING FOR PACKING (No scale)



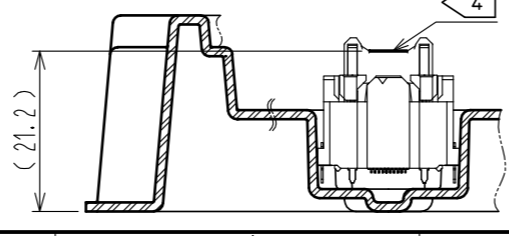
C (10:1)



B (1:1)



D-D (1:1)



- 1 Lead CO-Planarity is 0.1mm MAX.
- 2 This is packaged in tray. (84pcs/tray)
- 3 Floating range of this connector is ±0.6mm MAX.
- 4 The maximum cycle time of the floating operation is in accordance with the mating cycle of the connector.
- 5 It shows the vacuum pickup area. Remove the mylar tape before mating connectors.
- 6 Blemish and hit mark can be occurred through out the manufacturing process which doesn't affect quality level.
- 7 The dimensions in parentheses are for references.
- 7 Please use the connectors within the specified PCB distance.

3	COPPER ALLOY	CONTACT AREA: GOLD 0.1 μm LEAD AREA: GOLD 0.03 μm UNDER PLATING: NICKEL 1.3 μm	7	POLYIMIDE	(TAPE FOR VACUUM PICKUP)
2	POLYAMIDE	BLACK UL94V-0	6	POLYSTYRENE	(TRAY)
1	POLYAMIDE	BLACK UL94V-0	5	BRASS	LEAD AREA: TIN-PLATING 3 μm UNDER PLATING: NICKEL 1 μm
NO.	MATERIAL	FINISH . REMARKS	NO.	MATERIAL	FINISH . REMARKS

UNITS	mm	SCALE	2 : 1	COUNT	5	DESCRIPTION OF REVISIONS	DESIGNED	CHECKED	DATE
						DIS-F-00000993	TS.00NO	KN. SHIBUYA	16.01.13
HRS		HIROSE ELECTRIC CO., LTD.		APPROVED	HS. OKAWA	15.02.10	DRAWING NO. EDC-353544-00-00		
				CHECKED	KN. SHIBUYA	15.02.10	PART NO. FX23-20P-0.5SV20		
				DESIGNED	TS.00NO	15.02.10	CODE NO. CL573-3101-5-00		
				DRAWN	TS.00NO	15.02.10	1/1		