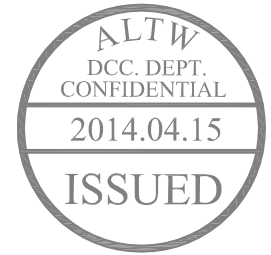
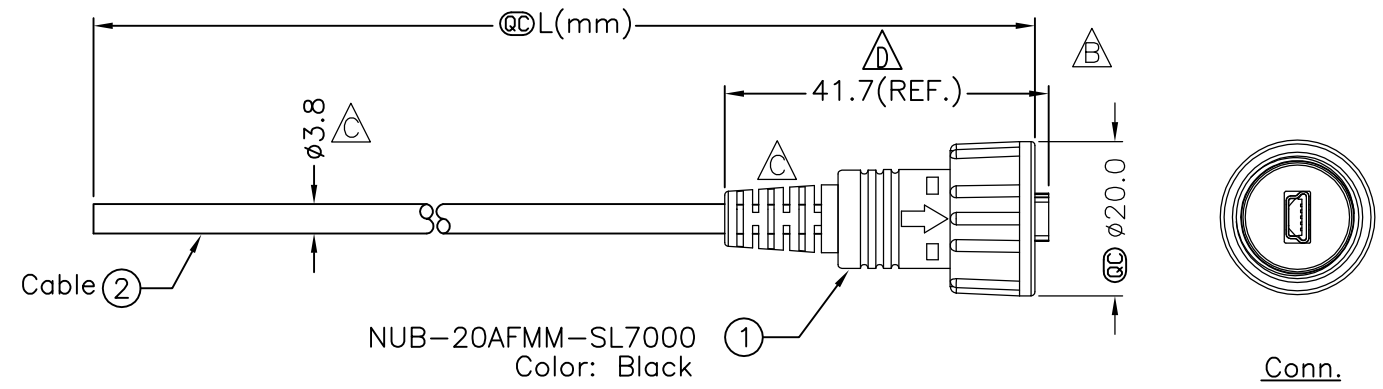
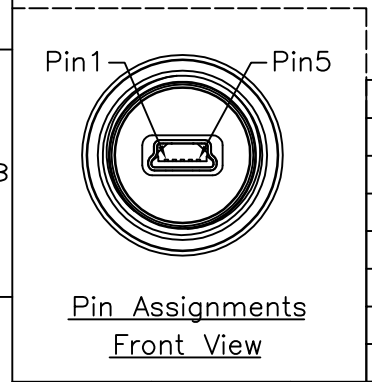


REV.	ECN NO.	DATE	SIGN	DESCRIPTION
B	LEN-820027	2007/11/16	Rommel A. Vergara	Update Outer Mold
C	LEN-840034	2008/04/10	Jill	Update SR,Cable OD
D	LEN1440069~72	2014/03/17	Sam	Change Dimension



NUB-20AFMM-SL7AXX
 XX:01~04Meters
 01:01Meter
 02:02Meters
 :
 04:04Meters
 Cable Length(L):01~04Meters

- Note:
- * @C Important Dimension.
 - * Waterproof Rate: IP67
 - * Screw Nut: Nylon+GF,Black
 - * Gasket:EPDM,Black
 - * Pin: Brass,Gold Plated.
 - * Cable: USB2.0 UL2725 28AWG*1P+28AWG *3C+AEB,OD=3.8mm
 - * Cable Length Tolerance: 1M~04M±5%mm



Shield	Drain 地線 (28AWG)	Twist
5	Black 黑 (28AWG)	
4	Yellow 黃 (28AWG)	
3	Green 綠 (28AWG)	
2	White 白 (28AWG)	
1	Red 紅 (28AWG)	
Conn.	Wire Color	
	Pin Out	

UNIT:mm		TITLE		ITEM NO		DRAWN BY		DATE	
TOLERANCE		Mini USB Molding Type		Amphenol LTW		SamChang		2014/03/17	
±0.5 mm		F Conn M Pin		安費諾亮泰企業股份有限公司		Vicky		2014/03/17	
		SCALE	SHEET	CUSTOMER		APPROVED BY		DATE	
		Free	1 OF 1	ALTW		Rita		2014/03/17	
		REV. D	SIZE A4						
		@C :Inspection Item							
1	2	3	4	5	6	7	8 FMWIG02-01-01A2		

THIS DOCUMENT IS SUBJECT TO CHANGE WITHOUT NOTICE. IT IS CONFIDENTIAL AND A PROPERTY OF Amphenol LTW. DISCLOSURE TO THIRD PARTY HAS TO BE AUTHORIZED BY Amphenol LTW.