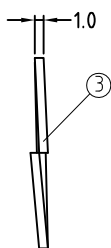
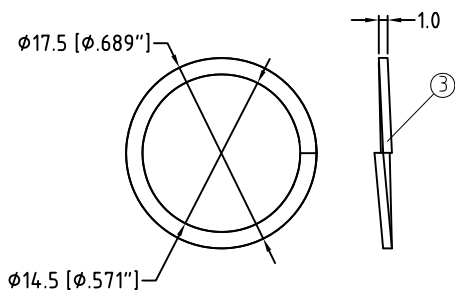
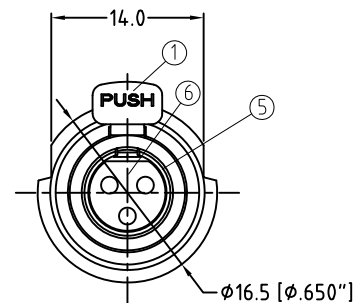
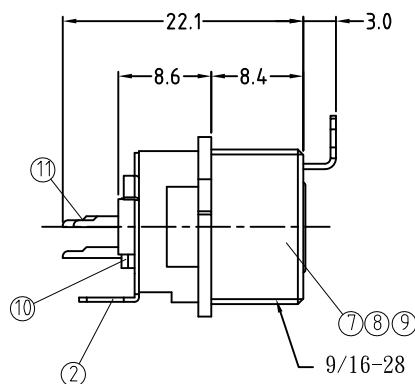
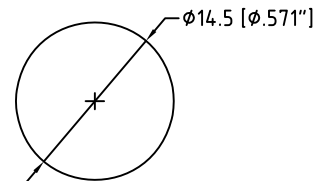
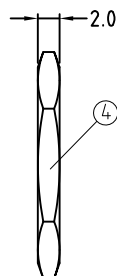
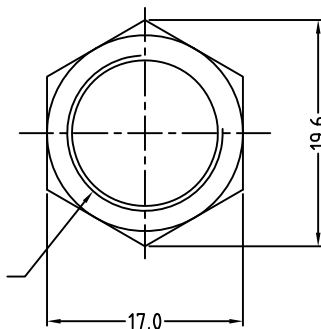


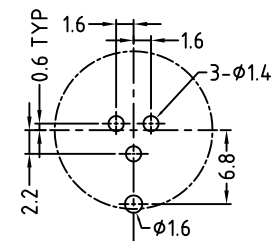
ISO VIEW



9/16-28



+ Panel cutout CL



PCB LAYOUT

| 11   | SOCKET CONTACTS | Brass/Au Plated   | 3   |
|------|-----------------|-------------------|-----|
| 10   | SPRING WASHER   | PPS/Black         | 1   |
| 9    | SPRING          | SUS 304/Ni Plated | 1   |
| 8    | LATCH SPRING    | SUS 304/Ni Plated | 1   |
| 7    | MACHINED SHELL  | Brass/Ni Plated   | 1   |
| 6    | INSULATOR       | PPS/Black         | 1   |
| 5    | MACHINED SHELL  | Brass/Ni Plated   | 1   |
| 4    | METAL NUT       | Brass/Ni Plated   | 1   |
| 3    | SPRING WASHER   | SUS 304/Ni Plated | 1   |
| 2    | GROUND CONTACT  | Brass/Ni Plated   | 1   |
| 1    | PUSH LEVEL      | Brass/Ni Plated   | 1   |
| ITEM | DESCRIPTION     | MATERIAL/FINISH   | QTY |

Specification:

Electrical:

Contact resistance: <0.03 ohm  
 Insulation resistance: >500Megaohm  
 Dielectric strength: 1000VDC  
 Rated current: 5A

Mechanical:

Lifetime: Insert & withdraw >5000 cycle  
 Insertion/withdrawal 6lb Max.

|  |  |   |  |                           |                   |                        |  |                            |          |              |  |
|--|--|---|--|---------------------------|-------------------|------------------------|--|----------------------------|----------|--------------|--|
| UNLESS OTHERWISE SPECIFIED TOLERANCE TO BE |  | THIS DOCUMENT IS THE PROPERTY OF AMPHENOL AUSTRALIA PTY. LTD. NO PART THEREOF MAY BE REPRODUCED AND USED WITHOUT THE PRIOR WRITTEN CONSENT OF THE OWNER |  |                           |                   | 1                      | CORRECT DIMENSIONS OF THE NUT TO 17mm & 19.6mm CHANGE TO MEET RAW MATERIAL SIZES | M.H                        | 25-07-17 | 9445         |  |
| LINEAR                                     |  | ANGULAR   |  | CAD FILE: 55010861000111  | DRN: M.H          | DATE: 09-10-12         | TITLE: MINI XLR FEMALE RECEPTACLE CUSTOMER DWG                                   |                            |          |              |  |
| X ± 0.50                                   |  | X° ± 1°   |  | MATL: SEE TABLE           | CKD: M.H          | DATE: 25-07-17         | 22 Industry Boulevard, Carrum Downs, Vic 3201                                    |                            |          |              |  |
| X.X ± 0.25                                 |  | X*X° ± 30'  |  | DO NOT SCALE              | FINISH: SEE TABLE | APP'D: P.M             | DATE: 25-07-17   | DRAWING NO. 55010861-000-1 |          |              |  |
| X.XX ± 0.10                                |  | X*X*X° ± 15'  |  | DIMENSIONS IN MILLIMETRES |                   | THIRD ANGLE PROJECTION | SCALE: 2:1 UOS   | PART No: AG3FCE            | SIZE: A3 | SHEET 1 OF 1 |  |