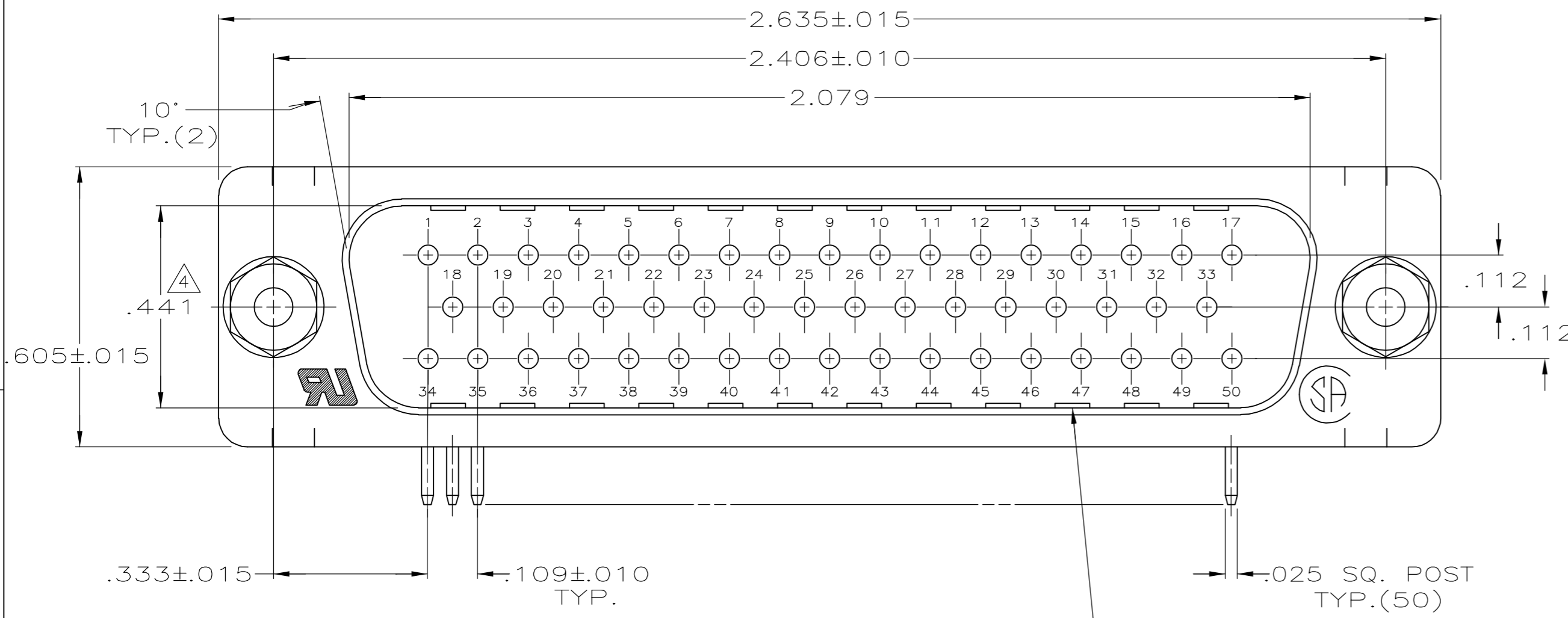
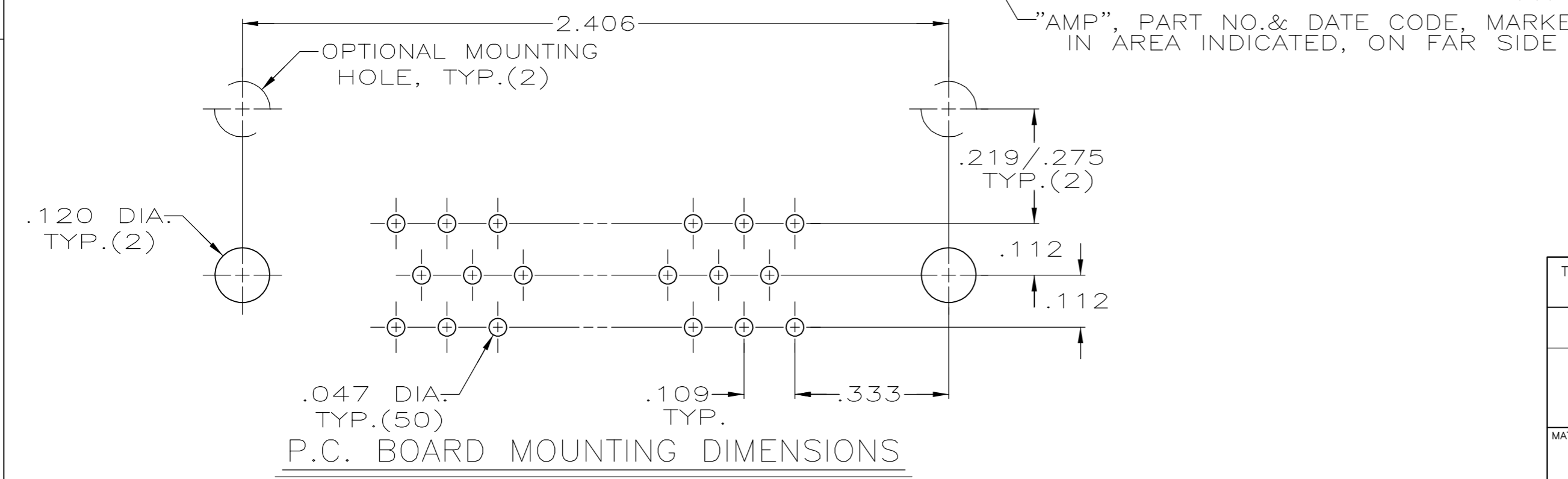
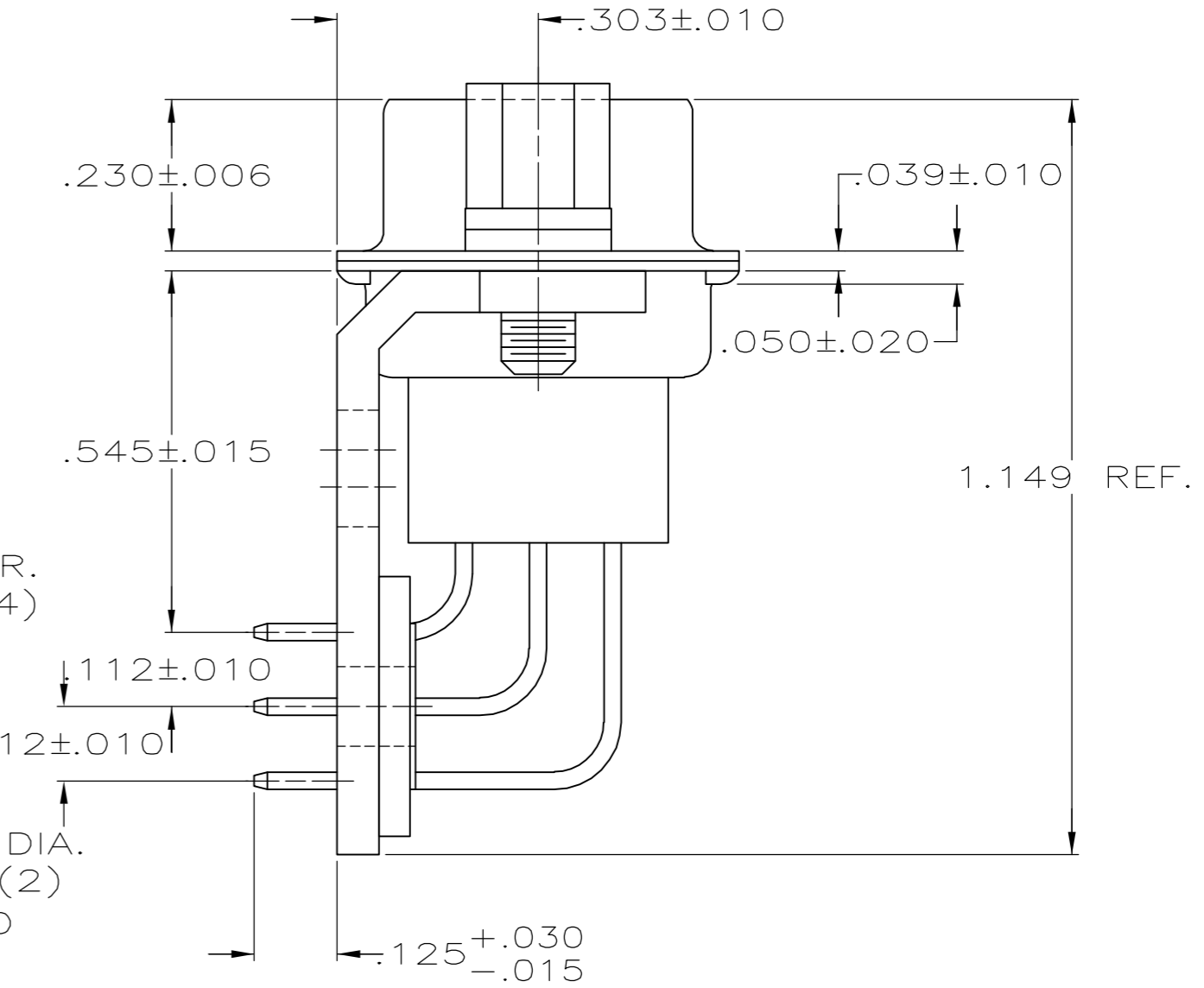
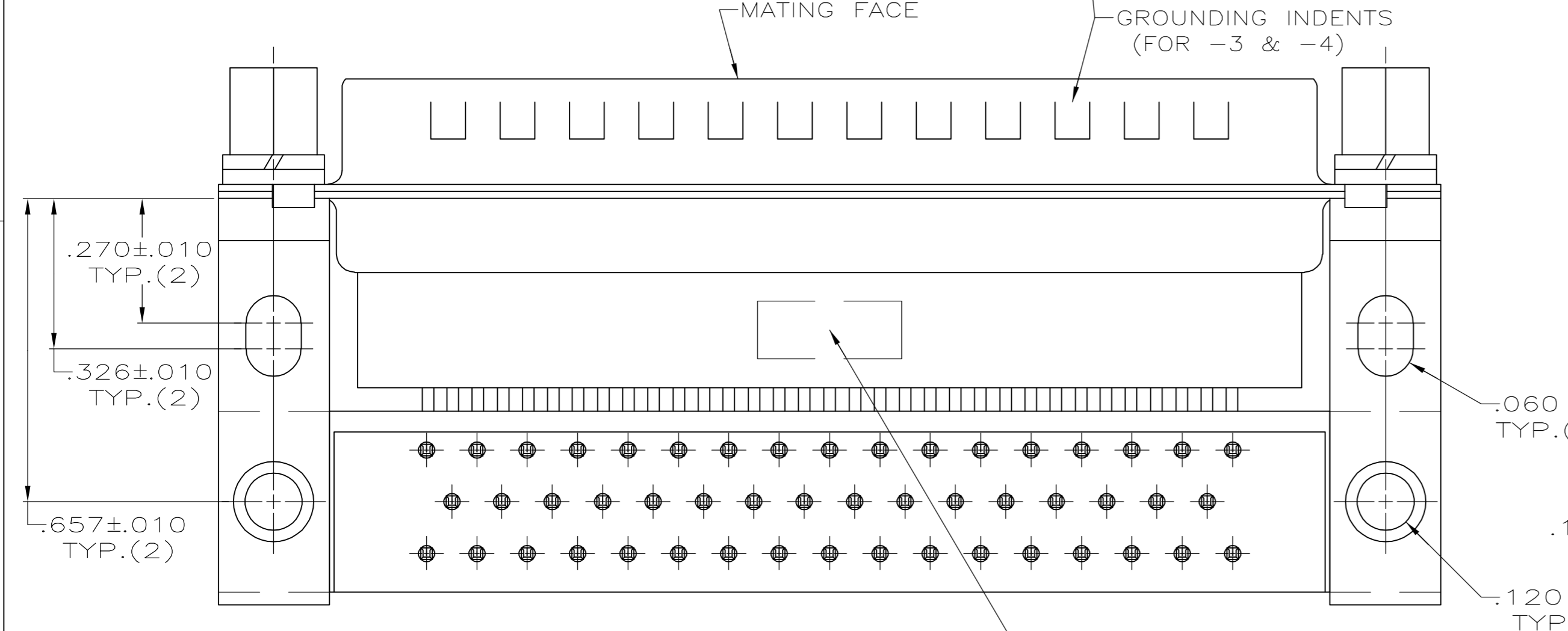


THIS DRAWING IS UNPUBLISHED. RELEASED FOR PUBLICATION
 © COPYRIGHT BY TYCO ELECTRONICS CORPORATION. ALL RIGHTS RESERVED.

LOC		DIST		REVISIONS			
P	LTR	DESCRIPTION	DATE	DWN	APVD		
GP	00						
	G	REVISED PER ECO-06-028388	12/DEC/06	ZMR	EDB		



- CONNECTOR MATES WITH ANY 50 POS. RECEPTACLE IN AMPLIMITE SERIES & COMPLIES WITH AMP SPEC. 108-40,005 WHERE APPLICABLE.
- MOLDED PARTS: FLAME RETARDANT, 94V-0 RATED THERMOPLASTIC, BLACK
CONTACTS: BRASS
SHELLS AND BRACKETS: STEEL
SCREWLOCKS AND WASHERS: STEEL
- SHELLS AND BRACKETS: TIN LEAD OVER COPPER
SCREWLOCKS: ZINC PLATED WITH CLEAR CHROMATE COATING
- THIS DIMENSION IS .436 FOR -3 AND -4.
- GOLD PLATED FOR A LENGTH OF .150 MIN FROM MATING END, GOLD FLASH IN MATED AREA, .000100 MIN TIN-LEAD ON OPPOSITE END, BOTH OVER .000050 MIN NICKEL.
- GOLD PLATED FOR LENGTH OF .150 MIN FROM MATING END, .000030 MIN GOLD IN MATED AREA, .000100 MIN TIN-LEAD ON OPPOSITE END, BOTH OVER .000050 MIN NICKEL.
-OR-
GOLD FLASH OVER PALLADIUM NICKEL PLATED FOR A LENGTH OF .150 MIN FROM MATING END, .000030 MIN GOLD IN MATED AREA, .000100 MIN TIN-LEAD ON OPPOSITE END, BOTH OVER .000050 MIN NICKEL.



"AMP", PART NO. & DATE CODE, MARKED IN AREA INDICATED, ON FAR SIDE

	△6	747497-4
OBSOLETE	△5	747497-3
OBSOLETE	△6	747497-2
OBSOLETE	△5	747497-1
	CONTACT FINISH	PART NUMBER

THIS DRAWING IS A CONTROLLED DOCUMENT.		DWN	J.GERACE	7-23-84	 Tyco Electronics Corporation Harrisburg, PA 17105-3608	
DIMENSIONS: INCHES		CHK	J.GERACE	7-23-84		
TOLERANCES UNLESS OTHERWISE SPECIFIED:		APVD	P.SWEIGARD	7-24-84		
0 PLC ± - 1 PLC ± - 2 PLC ± 0.13 [.005] 3 PLC ± - 4 PLC ± - ANGLES ± 2° FINISH		PRODUCT SPEC				
MATERIAL	△2	FINISH	△3		NAME	PLUG ASSEMBLY, SIZE 5, 50 POSITION, RIGHT ANGLE, 545 SERIES, .025 SQ POSTS, AMPLIMITE HDP
		WEIGHT	-		SIZE	A2
		CUSTOMER DRAWING			CAGE CODE	00779
					DRAWING NO	C=747497
					RESTRICTED TO	-
					SCALE	4:1
					SHEET	1 of 1
					REV	G