

4

3

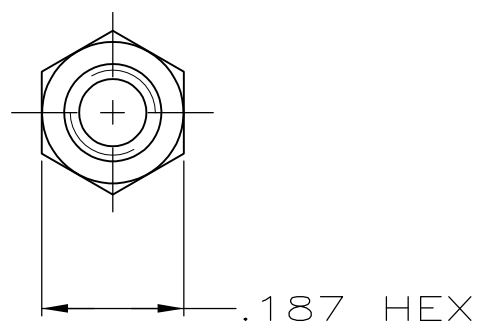
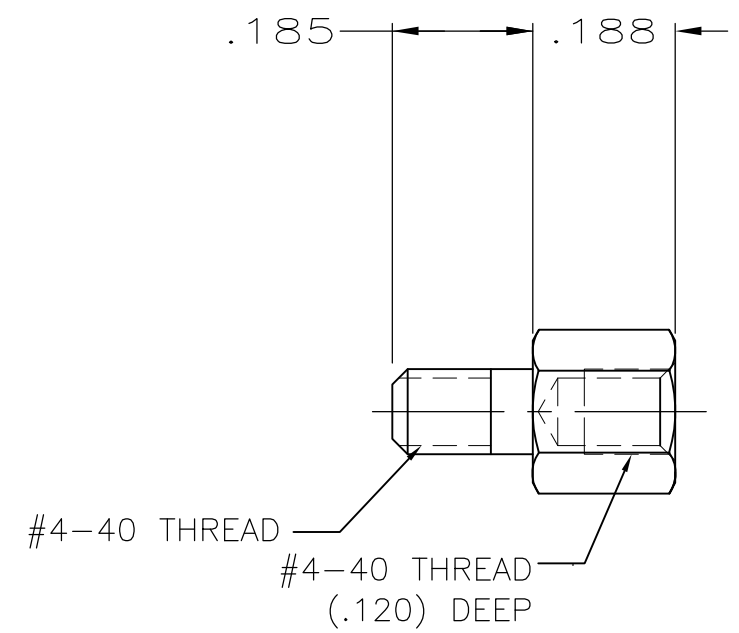
2

1

THIS DRAWING IS UNPUBLISHED. RELEASED FOR PUBLICATION  
 © COPYRIGHT - By - ALL RIGHTS RESERVED.

LOC	DIST	REVISIONS					
GP	00	P	LTR	DESCRIPTION	DATE	DWN	APVD
		P		REVISED PER ECO-11-004835	11MAR11	RK	HMR

1 ZINC PLATED .000200-.000400 THICK CLEAR CHROMATE COATING.



5747877-3  
 PART NUMBER

THIS DRAWING IS A CONTROLLED DOCUMENT.		DWN	R.RICHARDSON	17JUN05	<b>STE</b> TE Connectivity													
DIMENSIONS: INCHES		CHK	C.ROHDE	17JUN05														
TOLERANCES UNLESS OTHERWISE SPECIFIED:		APVD	M.WALMSLEY	17JUN05	NAME													
<table border="0"> <tr><td>0 PLC</td><td>± -</td></tr> <tr><td>1 PLC</td><td>± -</td></tr> <tr><td>2 PLC</td><td>± -</td></tr> <tr><td>3 PLC</td><td>± .005</td></tr> <tr><td>4 PLC</td><td>± -</td></tr> <tr><td>ANGLES</td><td>± -</td></tr> </table>		0 PLC	± -	1 PLC	± -	2 PLC	± -	3 PLC	± .005	4 PLC	± -	ANGLES	± -	PRODUCT SPEC		SCREWLOCK, FEMALE, SPECIAL, AMPLIMITE		
0 PLC	± -																	
1 PLC	± -																	
2 PLC	± -																	
3 PLC	± .005																	
4 PLC	± -																	
ANGLES	± -																	
MATERIAL		APPLICATION SPEC		RESTRICTED TO														
STEEL PER ASTM A108		WEIGHT		SIZE	CAGE CODE	DRAWING NO	—											
FINISH		CUSTOMER DRAWING		A3	00779	C-5747877	—											
1		SCALE		4:1	SHEET	1 OF 1	REV P											