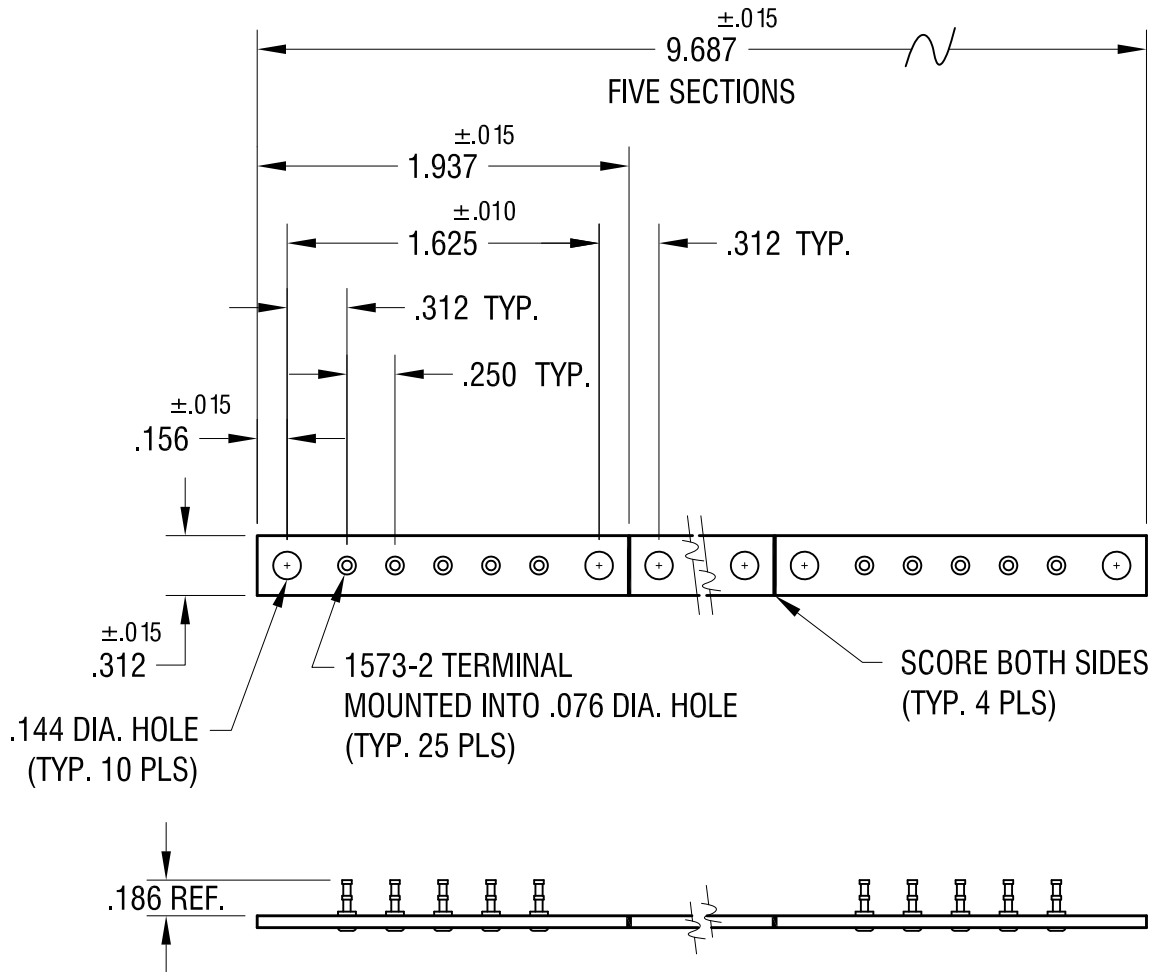


THIS DOCUMENT IS THE PROPERTY OF
KEYSTONE ELECTRONICS CORP. AND
SHALL NOT BE REPRODUCED, DISTRIBUTED
OR USED AS A BASIS FOR MANUFACTURE
WITHOUT PRIOR WRITTEN PERMISSION
FROM KEYSTONE ELECTRONICS CORP.



KEYSTONE ELECTRONICS CORP.

www.keyelco.com • ASTORIA, N.Y. 11105-2017 • Tel (718) 956-8900

PART NAME

MINIATURE TURRET TERMINAL BOARD

MATERIAL

.062 TH'K G-10 GLASS EPOXY

FINISH

AS NOTED

DRN BY

BOONE

DATE

12.11.01

APP'D

LN

SCALE

1X

TOLERANCES

INCH [MM]

CODE

DWG NO.

DECIMAL ±.005 [±]

C

ANGULAR ± 1°
UNLESS OTHERWISE SPECIFIED

15257

5.5.05

REVISED

A

DATE

DESCRIPTION

REV.