

Panasonic

Panasonic

JS1A-F-9V-F

Hlutanúmer:

JS1A-F-9V-F

Framleiðandi / Vöruerki:

Panasonic

Vörulýsing

RELAY GEN PURPOSE SPST 10A 9V

Gagnablöð:

JS1A-F-9V-F.pdf

RoHS Staða

Leiða frjáls / RoHS samhæft

Ástand á lager

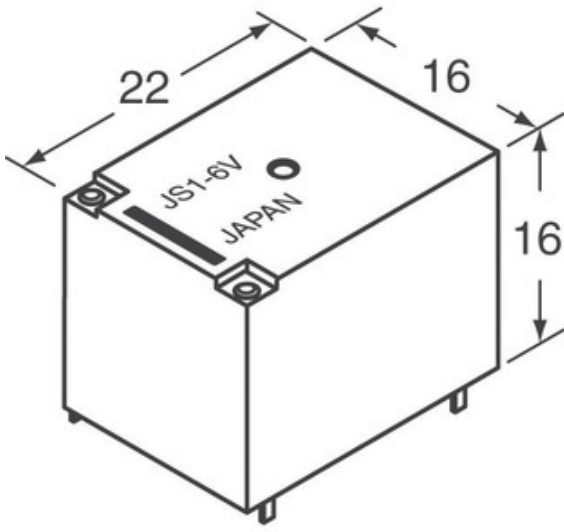
84263 pcs stock

Skip frá

Hong Kong

Sending vegur

DHL/Fedex/TNT/UPS/EMS



Mynd getur verið fulltrúi. Sjá upplýsingar um upplýsingar um vörur.

BEIÐNI UM TILVITNUN

Upplýsingar um JS1A-F-9V-F

HLUTANÚMÉR	JS1A-F-9V-F
FRAMLEIÐANDI	Panasonic
LÝSING	RELAY GEN PURPOSE SPST 10A 9V
LEIÐA FRJÁLS STAÐA / ROHS STAÐA	Leiða frjáls / RoHS samhæft
MAGN Í BODI	84263 pcs
GÖGN	JS1A-F-9V-F.pdf
KVEIKJA Á SPENNA (HÁMARK)	6.3 VDC
SLÖKKVA Á SPENNU (MIN)	0.9 VDC
UPPSAGNARSTÍLL	PC Pin
SKIPTA SPENNU	250VAC, 100VDC - Max
RÖÐ	JS
SLEPPTU TÍMA	10ms
RELAY TYPE	General Purpose
PÖKKUN	Bulk
VINNUHITASTIG	-40°C ~ 105°C
STARFAÐU TÍMA	10ms
UPPSETNINGARTEGUND	Through Hole
VÖKTUNARNÆMISSTIG (MSL)	1 (Unlimited)
LEIÐA FRJÁLS STAÐA / ROHS STAÐA	Lead free / RoHS Compliant
LÖGUN	Insulation - Class F, Sealed - Fully
NÁKVÆM LÝSING	General Purpose Relay SPST-NO (1 Form A) 9VDC Coil Through Hole
TENGILIÐUR EINKUNN (NÚVERANDI)	10A
SNERTINGAREFNI	Silver Tin Oxide (AgSnO)
TENGILIÐUR	SPST-NO (1 Form A)
SPÓLU SPENNA	9VDC
SPÓLU TEGUND	Non Latching
SPÓLUPÓL	225 Ohms
SPÓLUORKA	360 mW
SPÓLU NÚVERANDI	40.0mA

Svipaðir merkingar

Panasonic JS1A-F-9V-F	JS1A-F-9V-F dreifingaraðili	JS1A-F-9V-F Birgir
JS1A-F-9V-F Verð	JS1A-F-9V-F Myndir	JS1A-F-9V-F Image
JS1A-F-9V-F PDF skjal	JS1A-F-9V-F Sækja gagnapakkan	JS1A-F-9V-F gagnablöð
JS1A-F-9V-F lager	Kaupa JS1A-F-9V-F	Kaupa Panasonic JS1A-F-9V-F
Panasonic JS1A-F-9V-F	Panasonic Birgir	Panasonic dreifingaraðili
Panasonic JS1A-F-9V-F	Panasonic - Consumer Division JS1A-F-9V-F	Panasonic - Consumer Electronics Corp. JS1A-F-9V-F
Panasonic Battery Group JS1A-F-9V-F	Panasonic Electric Works - ACSD JS1A-F-9V-F	Panasonic Electronic Components - Semiconductor Pr JS1A-F-9V-F
Panasonic - ATG JS1A-F-9V-F	Panasonic - BSG JS1A-F-9V-F	Panasonic - DTG JS1A-F-9V-F
Panasonic Electric Works JS1A-F-9V-F	Panasonic Electronic Components JS1A-F-9V-F	Panasonic Industrial Automation Sales JS1A-F-9V-F
Panasonic Semiconductor JS1A-F-9V-F		

skyldar vörur

<p>JS1A-F-12V-F-6K Framleiðendur: Panasonic Lýsing: RELAY GEN PURPOSE SPST 10A 12V Á lager: 46891 pcs RFQ</p>	<p>JS1AF-18V-F Framleiðendur: Panasonic Lýsing: RELAY GEN PURPOSE SPST 10A 18V Á lager: 84954 pcs RFQ</p>
<p>JS1AF-12V-F Framleiðendur: Panasonic Lýsing: RELAY GEN PURPOSE SPST 10A 12V Á lager: 82807 pcs RFQ</p>	<p>JS1A-F-6V-F Framleiðendur: Panasonic Lýsing: RELAY GEN PURPOSE SPST 10A 6V Á lager: 60475 pcs RFQ</p>
<p>JS1A-F-48V-F Framleiðendur: Panasonic Lýsing: RELAY GEN PURPOSE SPST 10A 48V Á lager: 42488 pcs RFQ</p>	<p>JS1A-F-24V-F Framleiðendur: Panasonic Lýsing: RELAY GEN PURPOSE SPST 10A 24V Á lager: 83959 pcs RFQ</p>
<p>JS1A-F-18V-F Framleiðendur: Panasonic Lýsing: RELAY GEN PURPOSE SPST 10A 18V Á lager: 63051 pcs RFQ</p>	<p>JS1AF-24V-F Framleiðendur: Panasonic Lýsing: RELAY GEN PURPOSE SPST 10A 24V Á lager: 84085 pcs RFQ</p>
<p>JS1A-F-5V-F Framleiðendur: Panasonic Lýsing: RELAY GEN PURPOSE SPST 10A 5V Á lager: 51579 pcs RFQ</p>	<p>JS1AF-18V Framleiðendur: Panasonic Lýsing: RELAY GEN PURPOSE SPST 10A 18V Á lager: 3483 pcs RFQ</p>
<p>JS1AF-12V Framleiðendur: Panasonic Lýsing: RELAY GEN PURPOSE SPST 10A 12V Á lager: 6420 pcs RFQ</p>	<p>JS1AF-24V Framleiðendur: Panasonic Lýsing: RELAY GEN PURPOSE SPST 10A 24V Á lager: 3452 pcs RFQ</p>

