

Omron

G5LA-1-E-CF DC5

Hlutanúmer:

G5LA-1-E-CF DC5

Framleiðandi / Vöruerki:

Omron

Vörulýsing

RELAY GENERAL PURPOSE SPDT 5A 5V

Gagnablöð:

G5LA-1-E-CF DC5.pdf

RoHS Staða

Leiða frjálts / RoHS samhæft

Ástand á lager

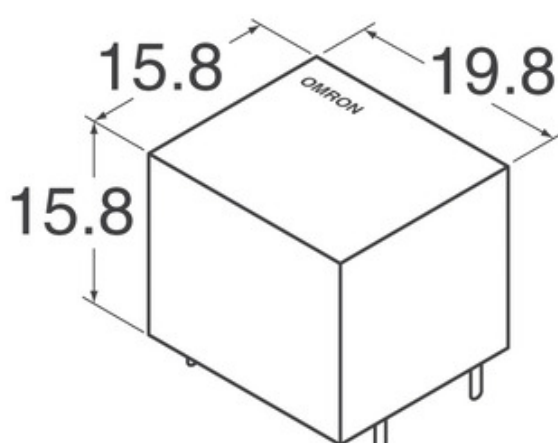
6224 pcs stock

Skip frá

Hong Kong

Sending vegur

DHL/Fedex/TNT/UPS/EMS



Mynd getur verið fulltrúi. Sjá upplýsingar um upplýsingar um vörur.

Upplýsingar um G5LA-1-E-CF DC5

HLUTANÚMER	G5LA-1-E-CF DC5
FRAMLEIÐANDI	Omron
LÝSING	RELAY GENERAL PURPOSE SPDT 5A 5V
LEIÐA FRJÁLS STAÐA / ROHS STAÐA	Leiða frjálts / RoHS samhæft
MAGN Í BODI	6224 pcs
GÖGN	G5LA-1-E-CF DC5.pdf
KVEIKJA Á SPENNA (HÁMARK)	3.75 VDC
SLÖKKVA Á SPENNU (MIN)	0.5 VDC
UPPSAGNARSTÍLL	PC Pin
SKIPTA SPENNU	250VAC, 24VDC - Max
RÖÐ	G5LA
SLEPPTU TÍMA	5ms
RELAY TYPE	General Purpose
PÖKKUN	Tray
ÖNNUR NÖFN	G5LA-1-E-CF DC5-ND G5LA-1-E-CFDC5 G5LA1ECFDC5
VINNUHITASTIG	-40°C ~ 85°C
STARFAÐU TÍMA	10ms
UPPSETNINGARTEGUND	Through Hole
VÖKTUNARNÆMISSTIG (MSL)	1 (Unlimited)
LEIÐA FRJÁLS STAÐA / ROHS STAÐA	Lead free / RoHS Compliant
LÖGUN	Insulation - Class F, Sealed - Flux Protection
NÁKVÆM LÝSING	General Purpose Relay SPDT (1 Form C) 5VDC Coil Through Hole
TENGIÐUR EINKUNN (NÚVERANDI)	5A
SNERTINGAREFNI	Silver Tin Oxide (AgSnO)
TENGIÐUR	SPDT (1 Form C)
SPÓLU SPENNA	5VDC
SPÓLU TEGUND	Non Latching
SPÓLUPÓL	69 Ohms
SPÓLUORKA	360 mW
SPÓLU NÚVERANDI	72.0mA

Svipaðir merkingar

Omron G5LA-1-E-CF DC5	G5LA-1-E-CF DC5 dreifingaraðili	G5LA-1-E-CF DC5 Birgir
G5LA-1-E-CF DC5 Verð	G5LA-1-E-CF DC5 Myndir	G5LA-1-E-CF DC5 Image
G5LA-1-E-CF DC5 PDF skjal	G5LA-1-E-CF DC5 Sækja gagnapakkan	G5LA-1-E-CF DC5 gagnablöð
G5LA-1-E-CF DC5 lager	Kaupa G5LA-1-E-CF DC5	Kaupa Omron G5LA-1-E-CF DC5
Omron G5LA-1-E-CF DC5	Omron Birgir	Omron dreifingaraðili
Omron G5LA-1-E-CF DC5	Omron Electronics Inc-IA Div G5LA-1-E-CF DC5	Omron Electronics Inc-EMC Div G5LA-1-E-CF DC5
Omron Electronics LLC G5LA-1-E-CF DC5		

skyldar vörur

<p>G5LA-1-E-CF DC9 Framleiðendur: Omron Lýsing: RELAY GENERAL PURPOSE SPDT 5A 9V Á lager: 6382 pcs RFQ</p>	<p>G5LA-1-E-CF DC24 Framleiðendur: Omron Lýsing: RELAY GEN PURPOSE SPDT 5A 24V Á lager: 3408 pcs RFQ</p>
<p>G5LA-1-E DC48 Framleiðendur: Omron Lýsing: RELAY GEN PURPOSE SPDT 5A 48V Á lager: 4809 pcs RFQ</p>	<p>G5LA-14 DC12 Framleiðendur: Omron Lýsing: RELAY GEN PURPOSE SPDT 5A 12V Á lager: 7024 pcs RFQ</p>
<p>G5LA-14 DC48 Framleiðendur: Omron Lýsing: RELAY GEN PURPOSE SPDT 5A 48V Á lager: 5599 pcs RFQ</p>	<p>G5LA-1-E DC5 Framleiðendur: Omron Lýsing: RELAY GENERAL PURPOSE SPDT 5A 5V Á lager: 4489 pcs RFQ</p>
<p>G5LA-14 DC24 Framleiðendur: Omron Lýsing: RELAY GEN PURPOSE SPDT 5A 24V Á lager: 2891 pcs RFQ</p>	<p>G5LA-1-E DC9 Framleiðendur: Omron Lýsing: RELAY GENERAL PURPOSE SPDT 5A 9V Á lager: 4627 pcs RFQ</p>
<p>G5LA-1-E-CF DC48 Framleiðendur: Omron Lýsing: RELAY GEN PURPOSE SPDT 5A 48V Á lager: 6790 pcs RFQ</p>	<p>G5LA-1-E-CF-SP DC12 Framleiðendur: Omron Lýsing: RELAY GEN PURPOSE SPDT 5A 12V Á lager: 3815 pcs RFQ</p>
<p>G5LA-1-E-CF DC12 Framleiðendur: Omron Lýsing: RELAY GEN PURPOSE SPDT 5A 12V Á lager: 4908 pcs RFQ</p>	<p>G5LA-1-HA DC12 Framleiðendur: Omron Lýsing: RELAY GEN PURPOSE SPDT 5A 12V Á lager: 3655 pcs RFQ</p>